

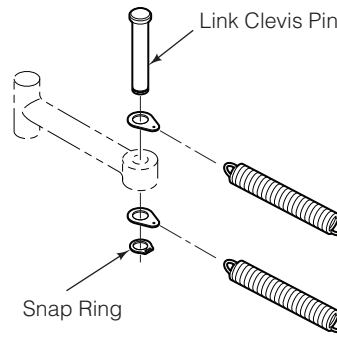
Technical Bulletin

H-Series Roll Clamp Contact Pad Link Pin and Spring Replacement

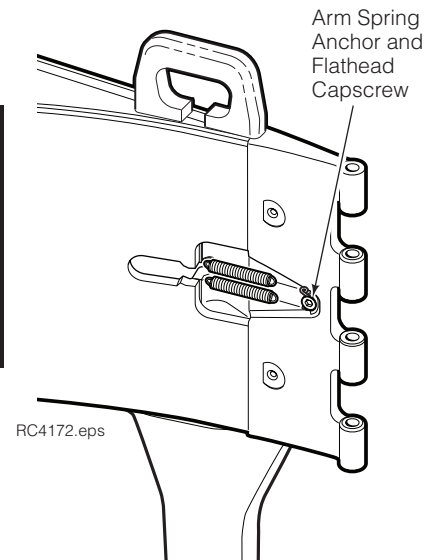
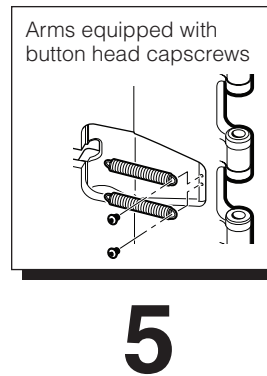
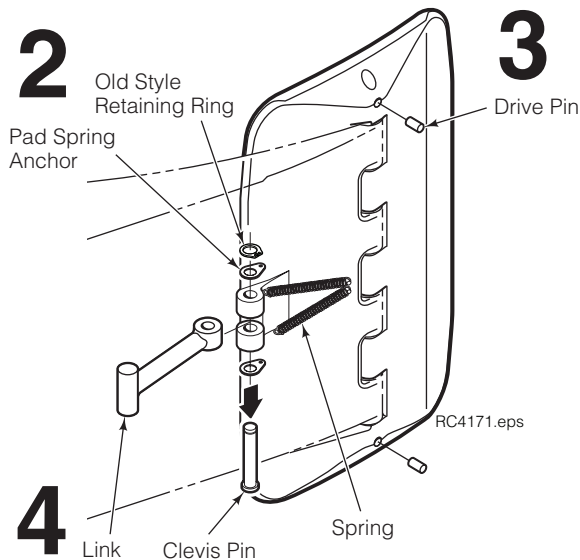
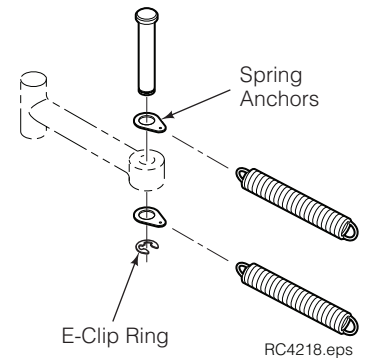
This sheet describes replacing the hardware for H-Series cast type contact pads with hardware kit 6823453. The original snap ring can disassemble from the link clevis pin, causing spring failure. New clevis pins with a deeper groove and E-clip rings have been designed to solve the problem. The kit includes a clevis pin, E-clip ring, pad spring anchors and springs for one contact pad.

- 1 Rotate the clamp to the vertical roll handling position. Lower the clamp until the contact pads are approximately 1 in. (25 mm) from the ground.
- 2 Remove the existing link pin hardware. While removing the clevis pin, unhook the spring anchors. Springs will remain fixed to the arms.
- 3 Remove the drive pins from the contact pad pivot points and remove pad pivot pins.
- 4 Remove the contact pad. Pad links can be remove from the arm by rotating 90 degrees and pulling out.
- 5 Install the new clevis pin, spring anchors, E-clip ring and springs. Tighten spring anchor capscrew or button head capscrews to 5 ft.-lbs. (7 Nm).
- 6 Reverse Steps 1 through 4.

Original Design



Improved Design



NOTE: This information should not be interpreted as the basis for warranty claims unless so designated.

cascade[®]
corporation

For Technical Support . . .

Call: 1-800-CASCADE (227-2233)

OR

Write: Cascade Corporation, PO Box 20187, Portland, OR 97294-0187

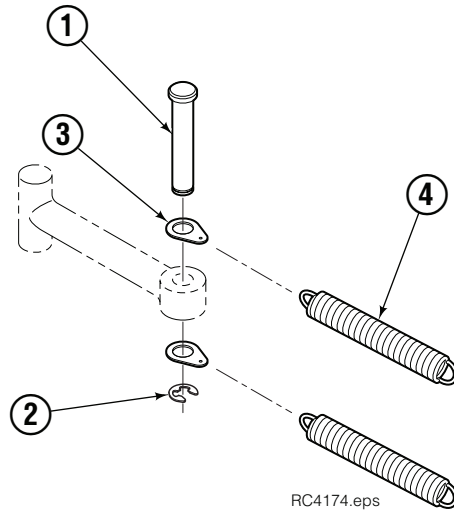
To Order Parts . . .

Call: 1-888-CASCADE (227-2233)

OR

Write: Cascade Corporation, 2501 Sheridan Ave., Springfield, OH 45505

Contact Pad Group Hardware Kit



REF	QTY	PART NO.	DESCRIPTION
		6823453	Contact Pad Group Hardware Kit
1	1	6821649	Clevis Pin
2	1	6821671	Retaining Ring
3	2	6076106	Spring Anchor (Pad)
4	2	6071414	Spring