



Parts Manual

Model _____ **Sheet-Sav Push/Pull**

Serial Number _____ **45E-PA-249**

cascade[®]
corporation

For Technical Assistance call: 800-227-2233, Fax: 888-329-8207

To Order Parts call: 888-227-2233, Fax: 888-329-0234

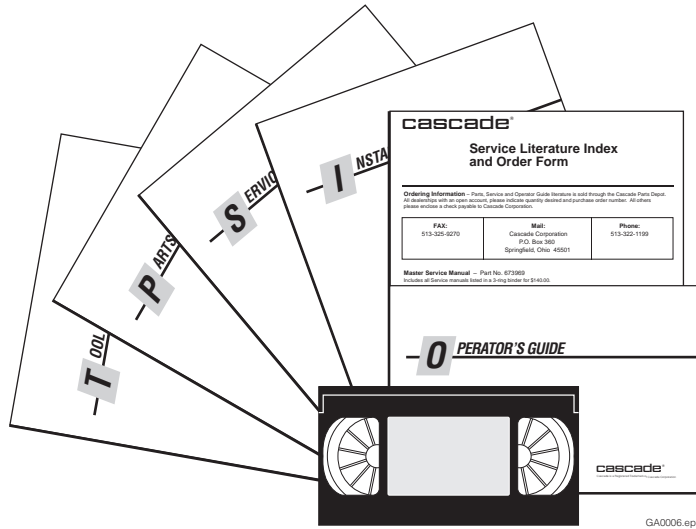
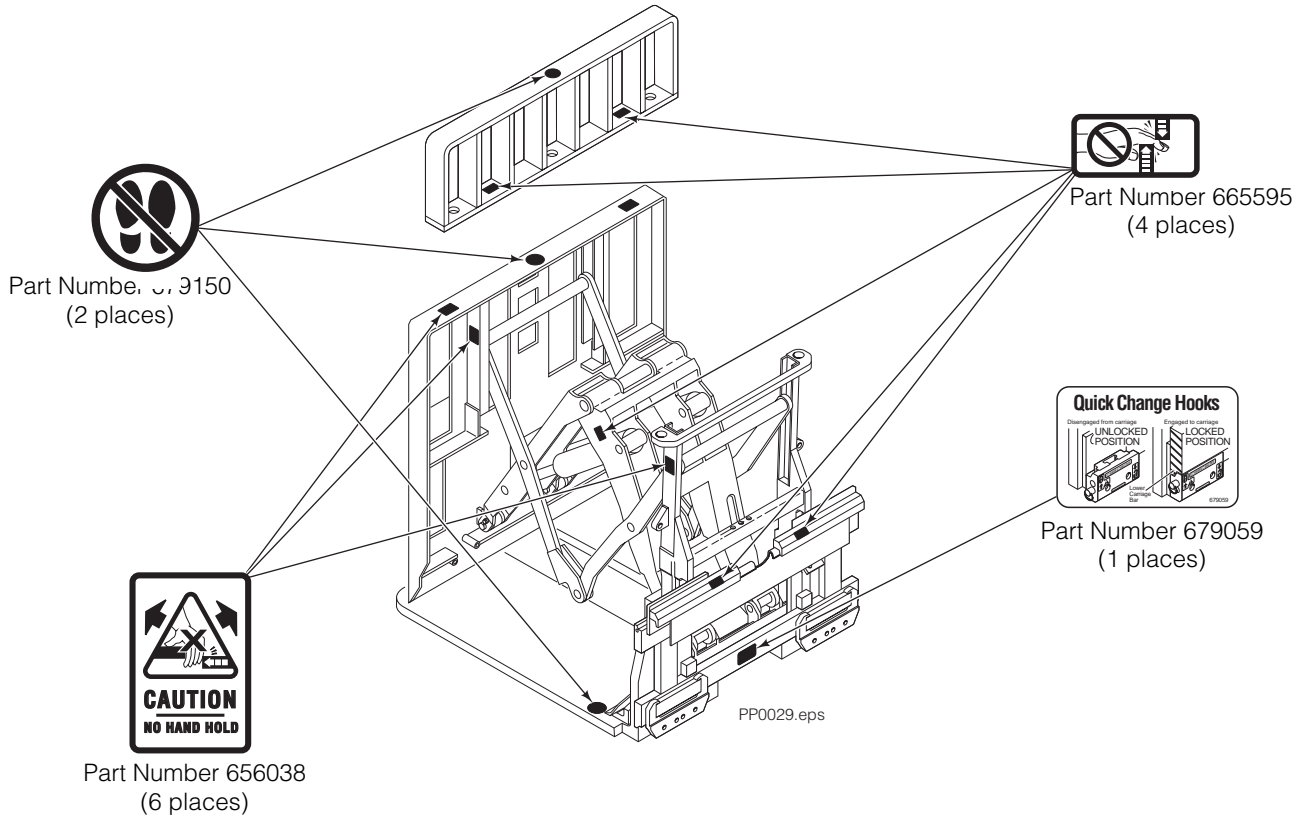
OR

Write: Cascade Corporation, P.O. Box 20187, Portland, OR 97220

Internet: www.cascorp.com

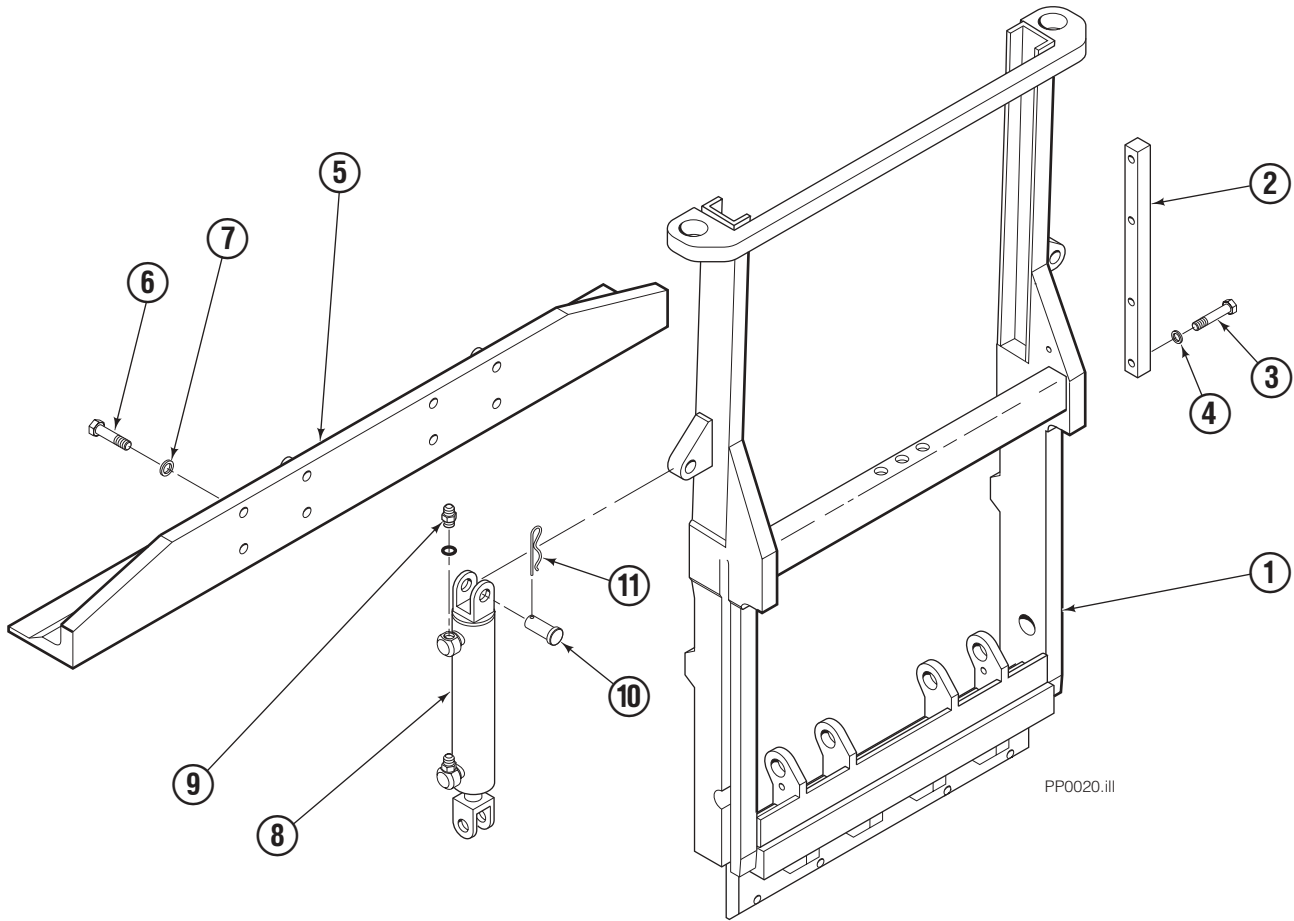
Decals

35E/45E Sheet-Sav



PART NO.	DESCRIPTION
	Parts Manual
686455	Service Manual
684945	Operators Guide
685531	Operators Pocket Guide
684944	Installation Instructions
680664	Servicing Cascade Cylinders-VHS
679929	Tool Catalog
673964	Literature Index Order Form

Frame Group

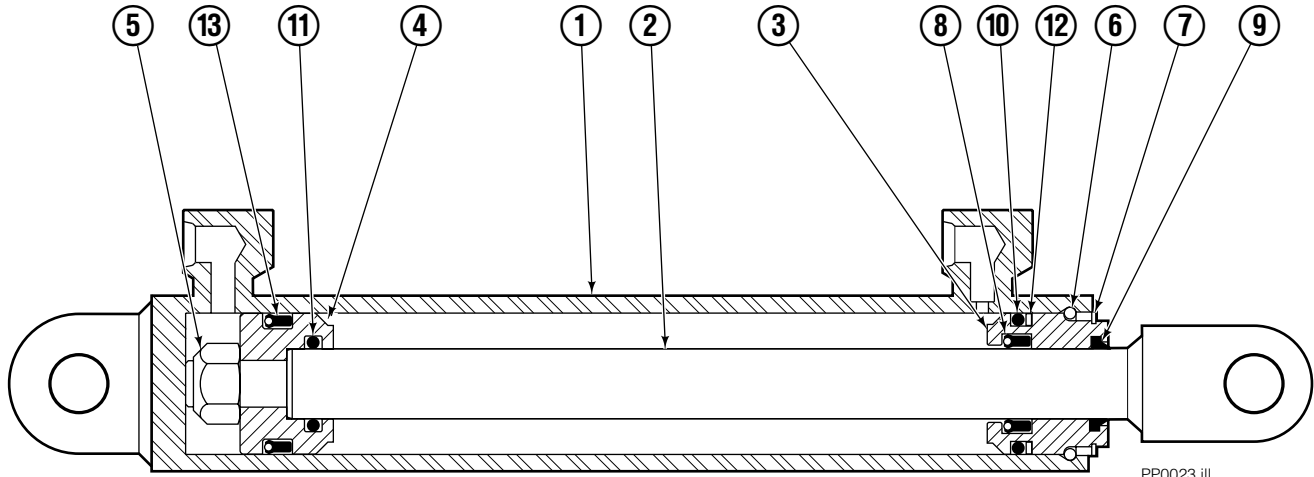


35E/45E

REF	QTY	PART NO.	DESCRIPTION
		206950	Frame Group
1	1	206945	Frame
2	1	206954	Bar
3	2	768525	Capscrew
4	2	686119	Washer
5	1	206955	Foot
6	8	766929	Capscrew
7	8	678991	Lockwasher
8	2	583942	Cylinder ■
9	4	617915	Fitting, 4-4
10	4	678525	Pin-Clevis
11	4	672726	Cotter Pin

■ See Cylinder page for parts breakdown.

Sheet-Sav Cylinder



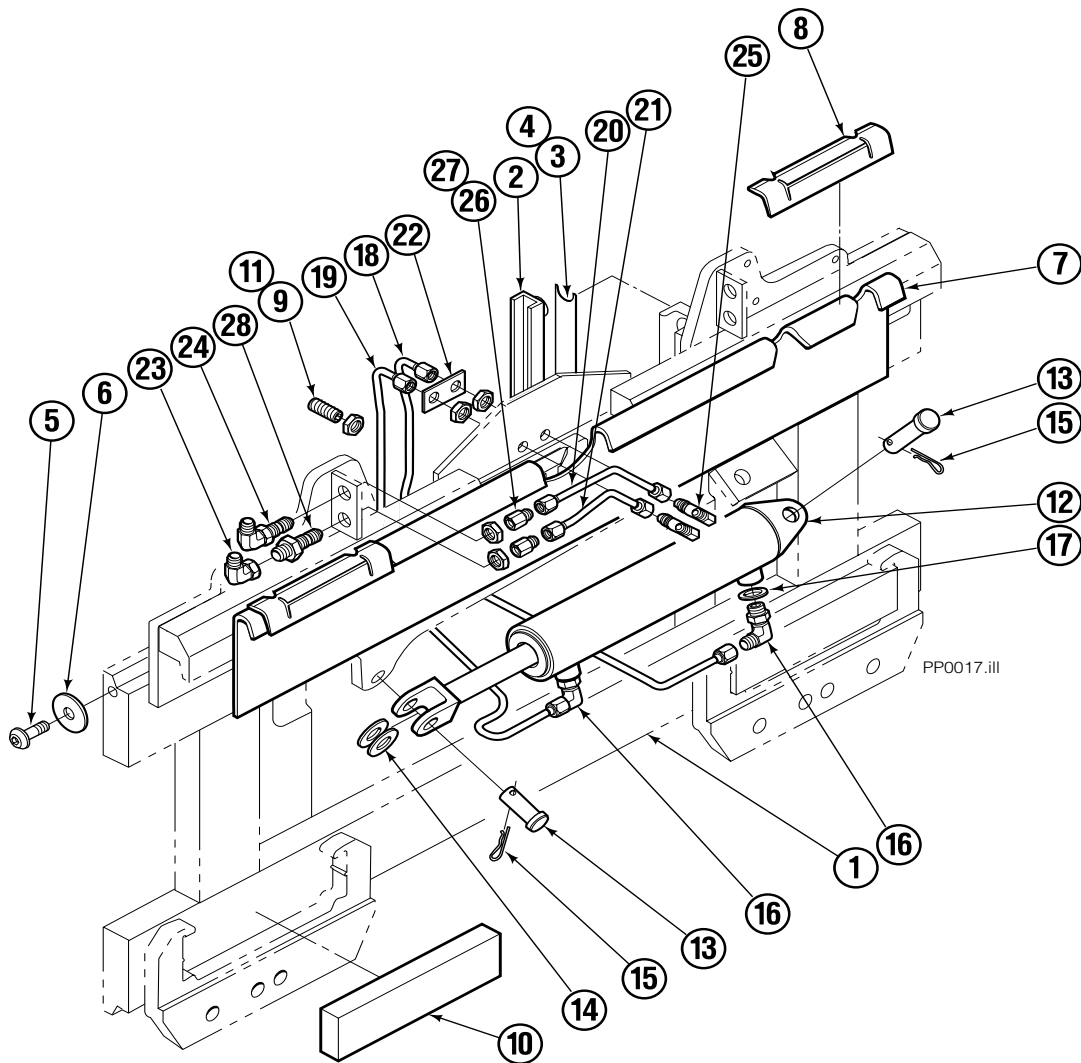
PP0023.ill

35E/45E

REF	QTY	PART NO.	DESCRIPTION
		583942	Cylinder Assembly
1	1	564162	Shell
2	1	564165	Rod
3	1	685664	Retainer
4	1	685665	Piston
5	1	563462	Nut
6	1	563916	Seal
7	1	3137	Retaining Ring
8	1	646540	■ Seal
9	1	636850	■ Wiper
10	1	2718	■ O-Ring
11	1	2710	■ O-Ring
12	1	615122	■ Back-up Ring
13	1	663728	■ Seal

■ Included in Service Kit 684827.

S/S Platen Carrier Group ITA II



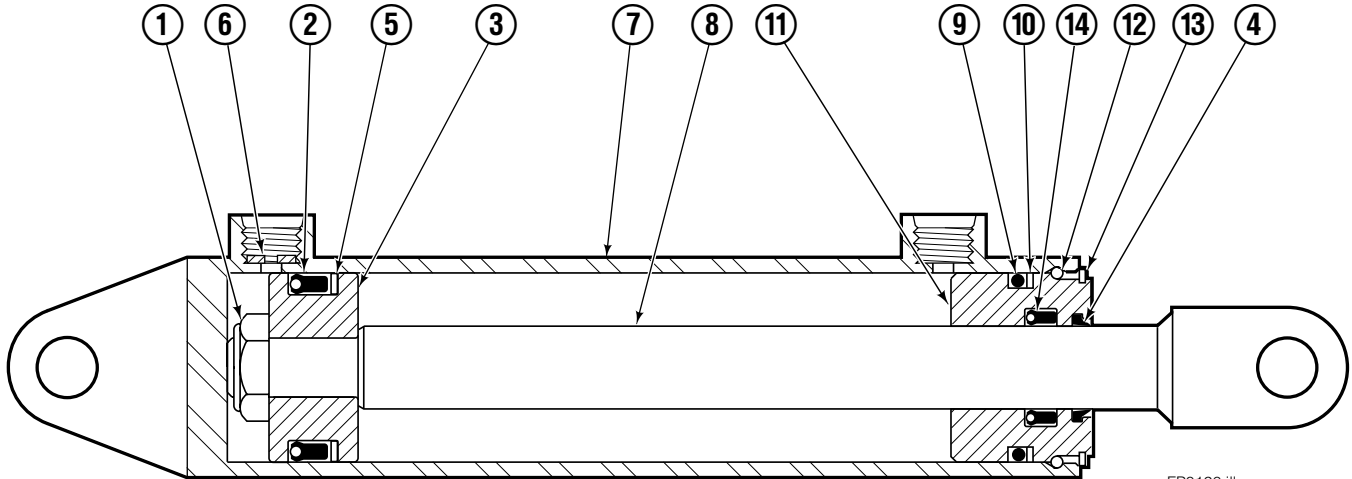
35E/45E

REF	QTY	PART NO.	DESCRIPTION	REF	QTY	PART NO.	DESCRIPTION
		207040	Platen Carrier Group	15	2	6517	Cotter Pin
1	1	206958	Platen Carrier	16	2	666984	Fitting, 6-6
2	2	206964	Bearing	17	1	675550	Washer
3	●	674298	Shim (.015)	18	1	207042	Tube
4	●	674299	Shim (.020)	19	1	207043	Tube
5	2	683142	Capscrew	20	1	207044	Tube
6	2	683001	Washer	21	1	207045	Tube
7	1	682554	Anchor Bracket	22	1	207046	Spacer
8	2	671165	Bearing	23	1	2680	Fitting, 6-6
9	2	768759	Setscrew	24	1	2453	Fitting, 6-6
10	2	682814	Bearing	25	2	2451	Fitting, 4-4
11	2	688387	Jam Nut	26	2	2617	Fitting, 6
12	1	675548	Cylinder Assembly ■	27	2	2669	Fitting, 4-6
13	2	678525	Pin-Clevis	28	1	2375	Fitting, 6-6
14	2	6234	Washer				

● As required, maximum 1 per side.

■ See Sideshift Cylinder page for parts breakdown.

Sideshift Cylinder ITA Class III

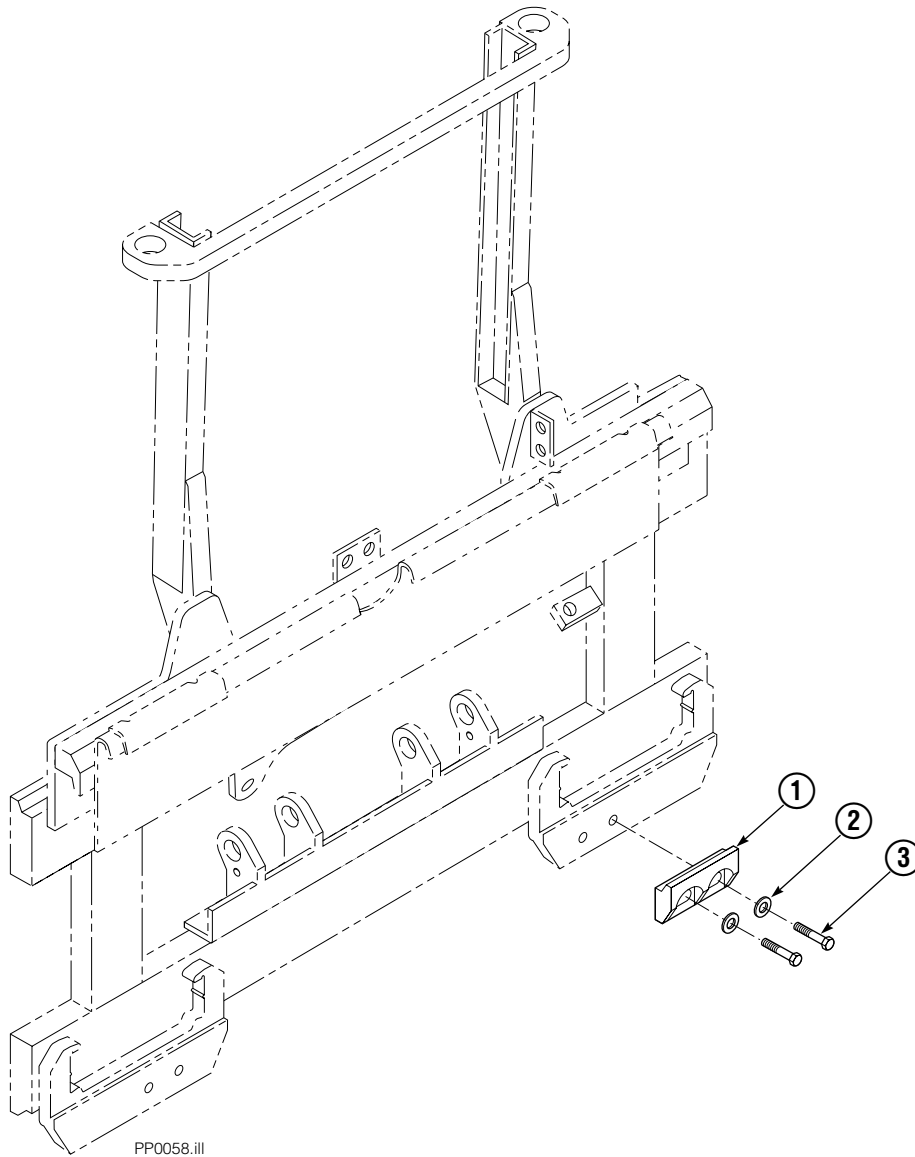


FP0126.ill

55E			
REF	QTY	PART NO.	DESCRIPTION
		675548	Cylinder Assembly
1	1	553857	Nut
2	1	662452	■ Seal
3	1	553501	Piston
4	1	636851	■ Wiper
5	1	638247	■ Back-up Ring
6	1	675550	Washer (orifice .085 in.)
7	1	675549	Shell
8	1	553449	Rod
9	1	2785	■ O-Ring
10	1	615128	■ Back-up Ring
11	1	553500	Retainer
12	1	553856	Retaining Ring
13	1	7202	Snap Ring
14	1	641835	■ Seal
		553861	Service Kit

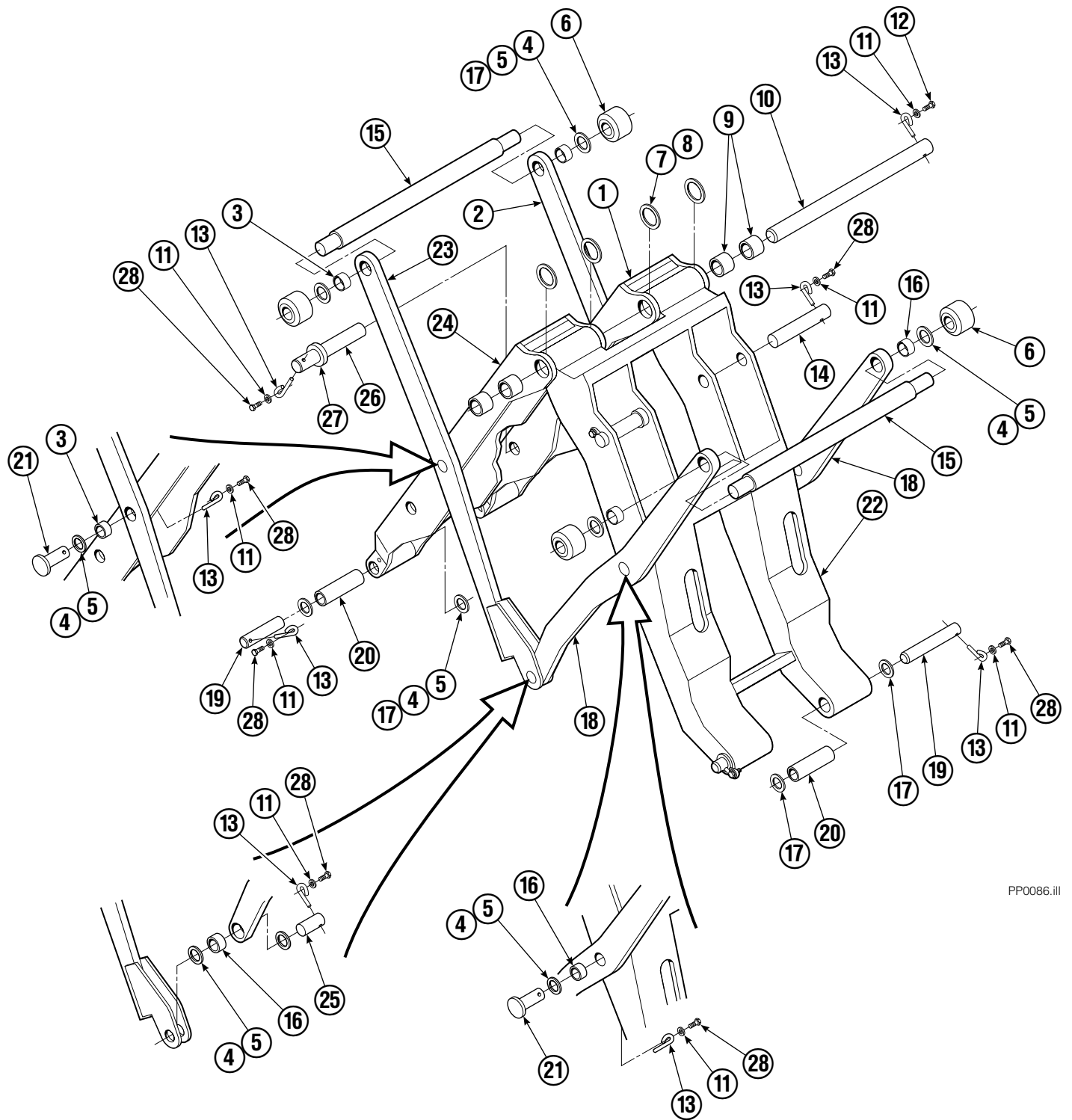
■ Included in Service Kit 553861.

Bolt-On Lower Hook Group ITA II



REF	QTY	PART NO.	DESCRIPTION
		683178	Lower Hook Group ITA II
1	2	679360	Hook
2	4	667225	Washer
3	4	779010	Capscrew

Mechanism Group



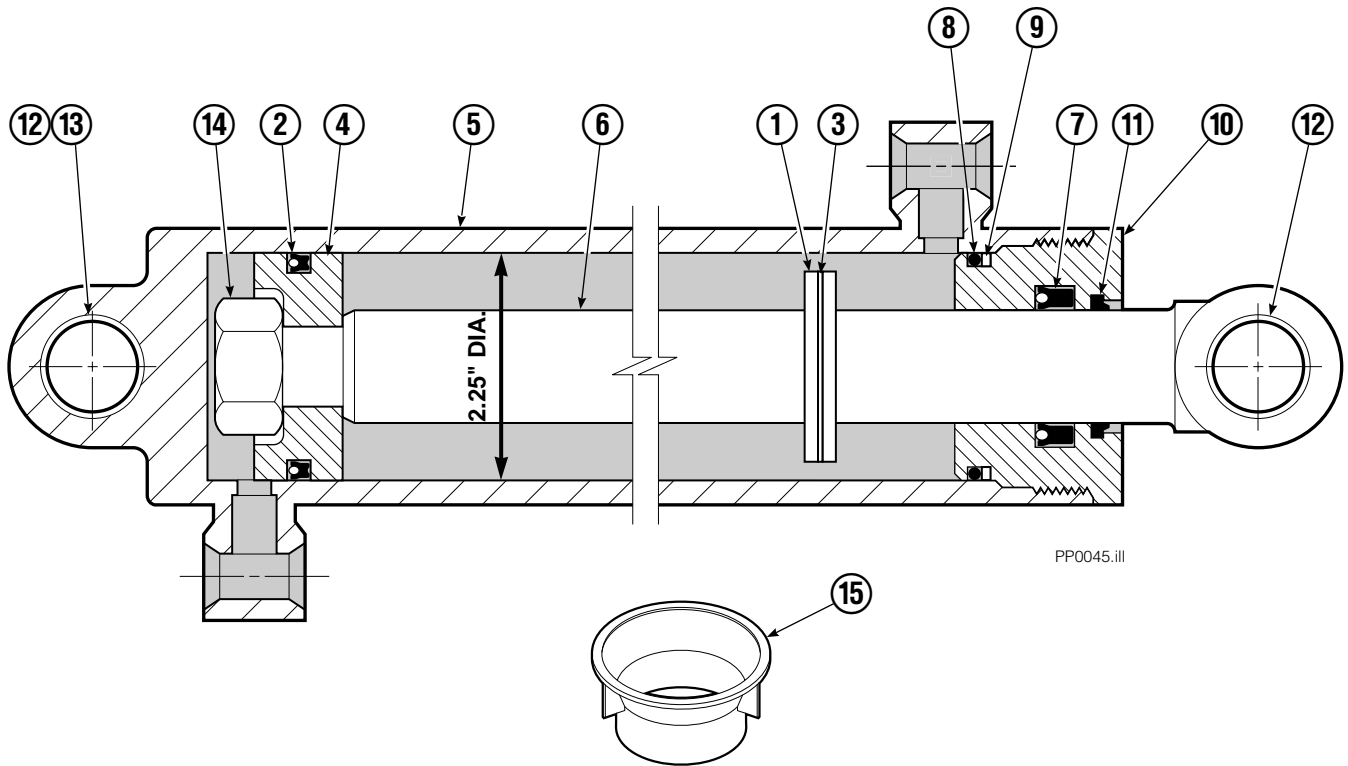
PP0086.ill

Mechanism Group

35E/45E			
REF	QTY	PART NO.	DESCRIPTION
		204644	Mechanism Group
1	1	204691	Arm-Inner Secondary R. H.
2	1	204692	Arm-Secondary Outer R. H.
3	4	683154	■ Bushing
4	●	683161	Shim (.030)
5	●	683162	Shim (.060)
6	4	205070	Roller
7	●	683163	Shim (.030)
8	●	683164	Shim (.060)
9	4	683155	■ Bushing
10	1	682821	Pin
11	15	6229	Washer
12	2	685661	Capscrew
13	15	682999	Eye-Pin
14	2	682822	Pin-Head
15	2	205065	Pin
16	6	683153	■ Bushing
17	●	204532	Shim (.12)
18	2	204694	Arm-Outer Primary
19	4	204533	Pin-Frame
20	4	204535	■ Bushing
21	4	204695	Pin
22	1	204604	Arm-Inner Primary
23	1	204693	Arm-Secondary Outer L. H.
24	1	204690	Arm-Inner Secondary L. H.
25	2	204696	Pin-Outer
26	2	682823	Pin-Rod
27	2	683165	Spacer
28	13	767961	Capscrew

- Quantity as required.
- Included in Bushing Service Kit 205075.

Cylinder

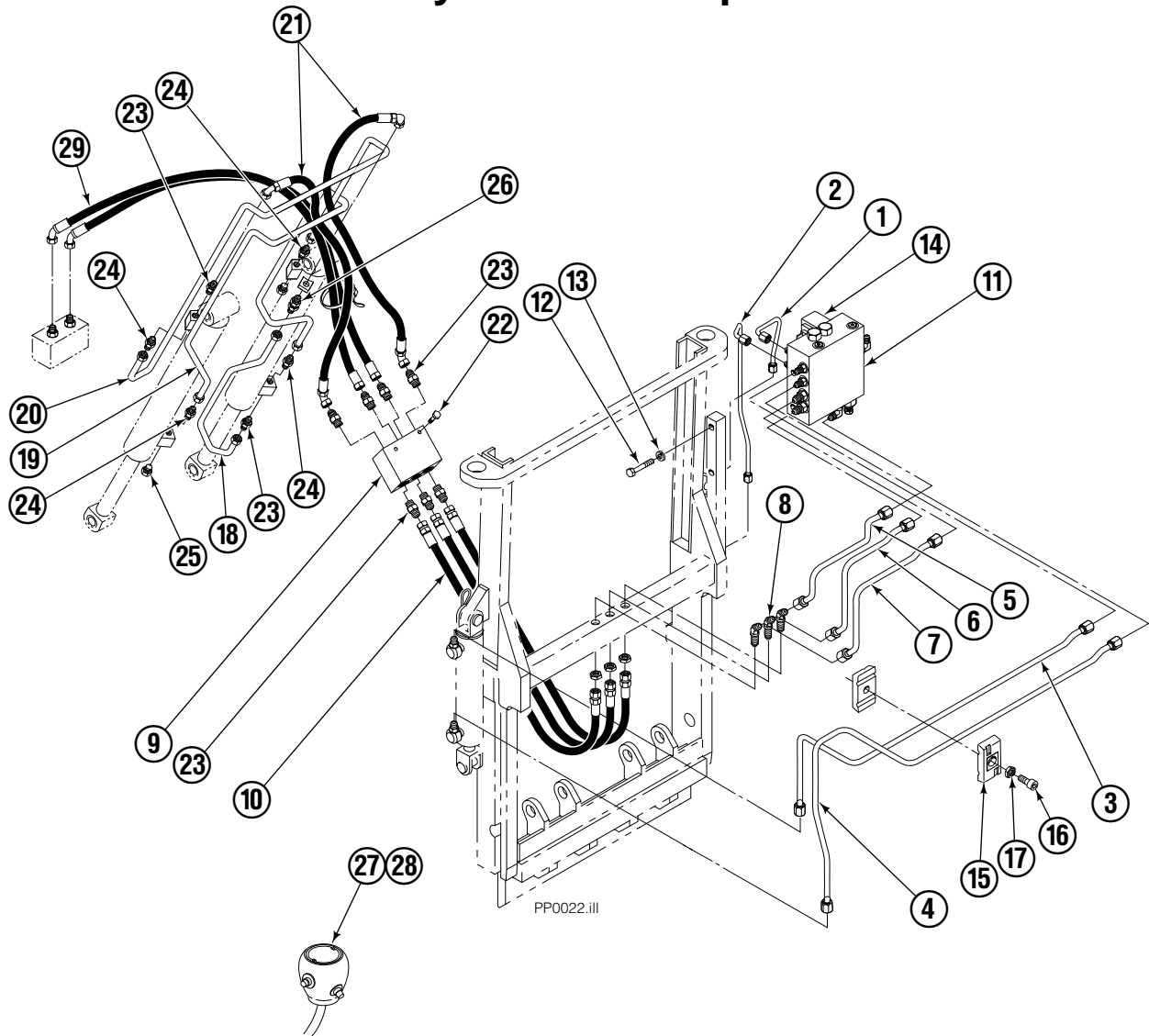


REF	QTY	PART NO.	DESCRIPTION
		582636	Cylinder Assembly
1	1	—	Spacer
2	1	564159	■ Seal
3	1	7348	Snap Ring
4	1	564161	Piston
5	1	562717	Shell
6	1	558626	Rod
7	1	662448	■ Seal
8	1	2787	■ O-Ring
9	1	615130	■ Back-Up Ring
10	1	558628	Retainer
11	1	636853	■ Wiper
12	4	559697	Bearing
13	1	559698	Spacer
14	1	678019	Nut
15	1	671048	■ Seal Loader Kit

■ Included in Service Kit 562339.

Reference: S-3424.

Hydraulic Group



35E/45E

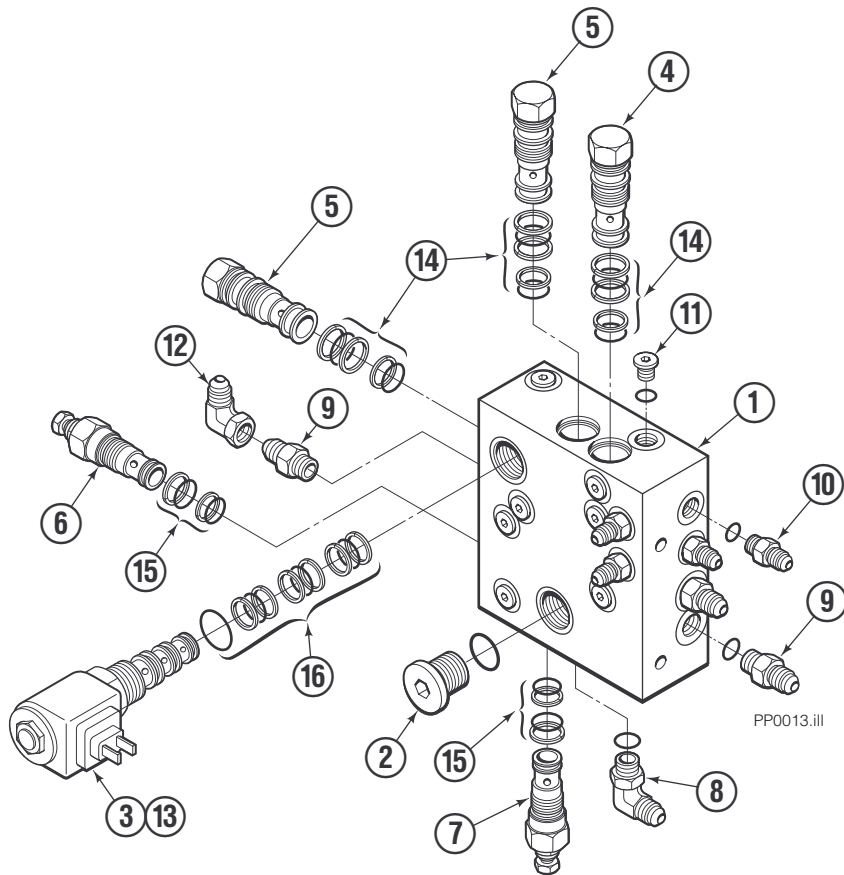
REF	QTY	PART NO.	DESCRIPTION	REF	QTY	PART NO.	DESCRIPTION
		206940	Hydraulic Group (without gripper control)	15	2	207041	Clamp
1	1	206931	Tube	16	1	768794	Capscrew
2	1	206932	Tube	17	1	767414	Nut
3	1	206933	Tube	18	1	200647	Tube
4	1	206934	Tube	19	1	200648	Tube
5	1	206935	Tube	20	1	200649	Tube
6	1	206936	Tube	21	2	683173	Hose
7	1	206937	Tube	22	2	765329	Capscrew
8	3	2492	Fitting, 6-6	23	7	604511	Fitting, 6-6
9	1	206927	Junction Block	24	4	605235	Fitting, 5-6
10	3	685981	Hose	25	2	604510	Fitting, 6
11	1	206942	■ Valve (without gripper control)	26	1	2375	Fitting, 6-6
12	2	768525	Capscrew	28	1	206939	● Knob (without gripper control)
13	2	686119	Washer	29	1	685831	Hose
14	1	669432	Diode (without gripper control)				

■ See Valve page for parts breakdown.

● See Knob page for parts breakdown.

Valve

Without Independent Gripper Control

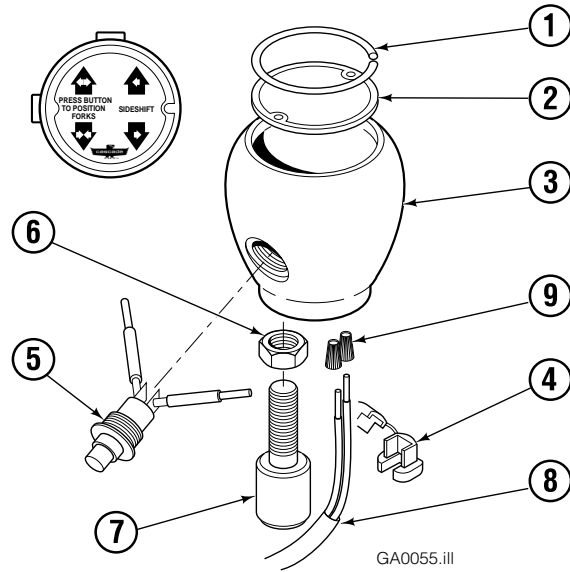


35E/45E			
REF	QTY	PART NO.	DESCRIPTION
		206942	Valve Assembly
1	1	206943	Valve Body
2	1	609453	Fitting, 10
3	1	206991	Solenoid Valve
4	1	206944	Check Valve
5	2	659058	Check Valve
6	1	677125	Relief Valve
7	1	677124	Relief Valve
8	2	601676	Fitting, 6-6
9	3	604511	Fitting, 6-6
10	4	617915	Fitting, 4-4
11	12	609234	Fitting, 4
12	1	2680	Fitting, 6-6
13	1	206995	Coil – 12V ●
13	1	206996	Coil – 24V ●
13	1	206997	Coil – 36V ●
13	1	206998	Coil – 48V ●
14	3	667516	Service Kit
15	2	669597	Service Kit
16	1	667379	Service Kit

● Not included in Valve Assembly.

Control Knob

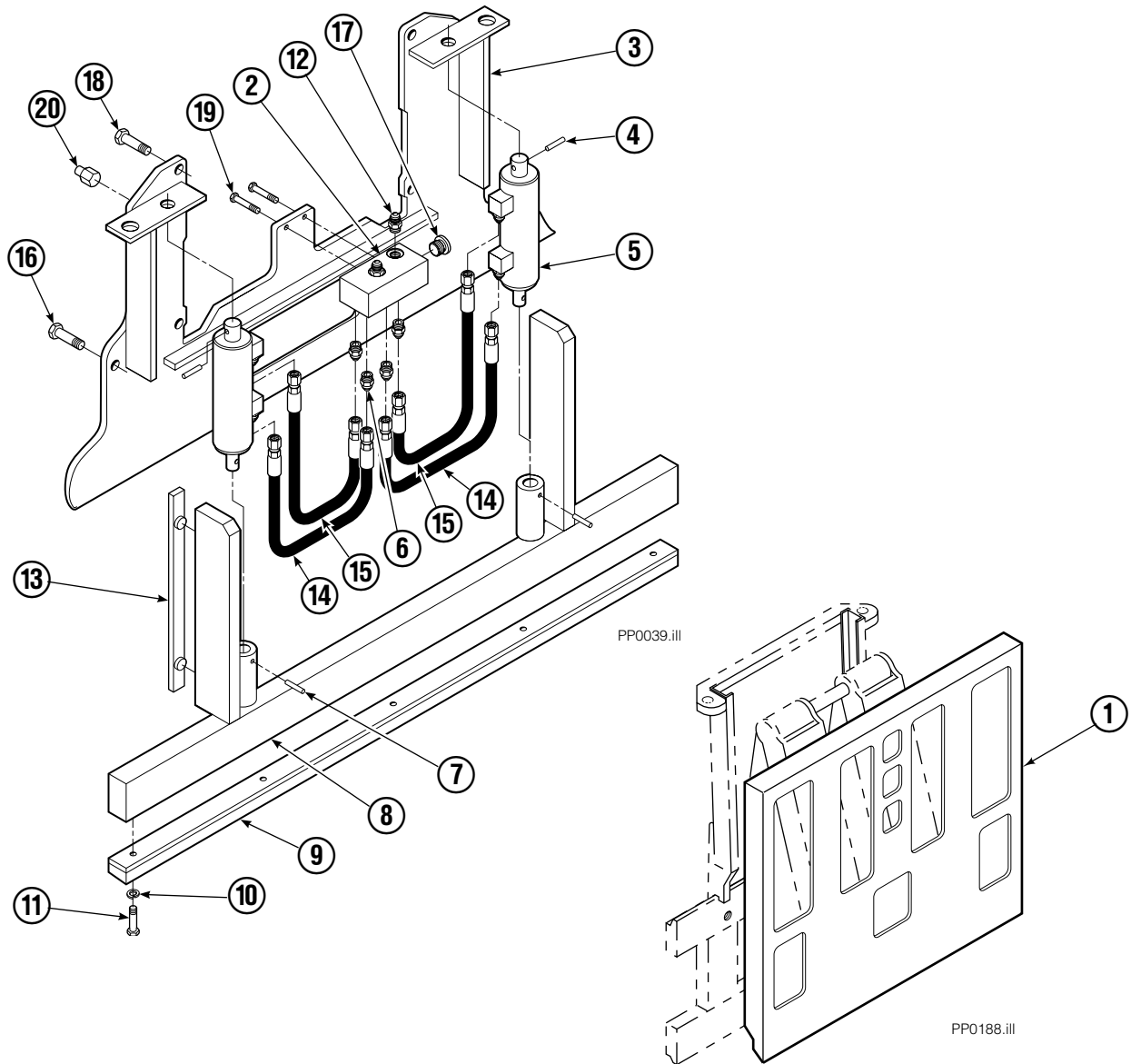
Without Gripper Control



35E/45E			
REF	QTY	PART NO.	DESCRIPTION
		206939	Knob Group
1	1	665250	Snap Ring
2	1	206986	Cover
3	1	667012	Knob
4	1	665076	Strain Relief
5	1	677112	■ Switch
6	1	5902	Nut, 3/8 NC
7	1	665081	Adapter
8	1	667718	Cable Assembly
9	2	667752	Connector – Gray

■ This switch may be purchased without wires. Order part number 665004. Soldering is required.

Faceplate Group

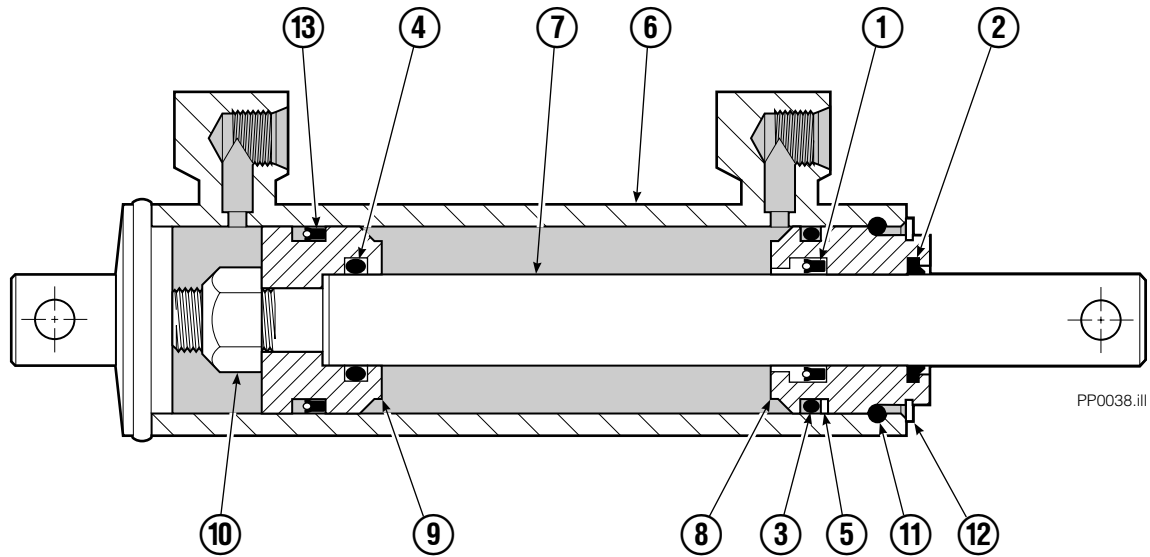


35E/45E

REF	QTY	PART NO.	DESCRIPTION	REF	QTY	PART NO.	DESCRIPTION
		205970	Faceplate Group 40" x 40" ■	10	5	6444	Lockwasher
		205963	Gripper Jaw Assembly ●	11	5	768794	Capscrew, M8x1,25x20-8.8
1	1	204634	Faceplate 40" x 40" ■	12	2	604511	Fitting, 6-6
2	1	205959	Junction Block	13	2	686573	Bearing
3	1	206396	Gripper Jaw	14	2	205957	Hose
4	2	673385	Drive Pin	15	2	205958	Hose
5	2	682844	Gripper Cylinder ▼	16	2	768710	Capscrew
6	8	617915	Fitting, 4-4	17	2	609234	Plug, 4
7	2	200877	Drive Pin	18	4	779010	Capscrew
8	1	206403	Gripper Bar	19	2	763166	Capscrew, M8x1,25x25-8.8
9	1	672712	Gripper Pad	20	4	—	Stop

- Width x height.
- Includes items 2 through 20.
- ▼ See Gripper Cylinder page for parts breakdown.

Gripper Cylinder



35E/45E			
REF	QTY	PART NO.	DESCRIPTION
		682844	Gripper Cylinder
1	1	646540	▼ Seal
2	1	636850	▼ Wiper
3	1	2718	▼ O-Ring
4	1	2710	▼ O-Ring
5	1	615122	▼ Back-Up Ring
6	1	685662	Shell
7	1	685663	Rod
8	1	685664	Retainer
9	1	685665	Piston
10	1	563462	Nut
11	1	563916	Ring
12	1	684284	Snap Ring
13	1	663728	▼ Piston Seal

▼ Included in Service Kit 684827.

Do you have questions you need answered right now? Call your nearest Cascade Parts Department. Visit us online at www.cascorp.com

Cascade Corporation

2501 Sheridan Avenue
Springfield, OH 45505
Tel: 888-CASCADE (227-2233)
FAX: 888-329-0234

Cascade Canada Inc.

5570 Timberlea Blvd.
Mississauga, Ontario
Canada L4W-4M6
Tel: 905-629-7777
FAX: 905-629-7785

Cascade GmbH

Dahlener Strasse 570
41239 Mönchengladbach
Germany
Tel: 02166-68230
FAX: 02166-682323

Cascade Finland

A. Petreliuksenkatu 3
01370 Vantaa
Finland
Tel: 09-8361925
FAX: 09-8361935

**Cascade N.V.
Benelux Sales and Service**

Damsluisweg 56
PO Box 3009
1300 El Almere
The Netherlands
Tel: 036-5492950
FAX: 036-5492974

Cascade (UK) Ltd.

Unit 5, Eden Close
Hellaby Lane Ind. Estate
Heellaby,
Rotherham S66 8RW
England
Tel: 01709-704500
FAX: 01709-704501

**Sales Scotland
Macade Systems Ltd.**

18 Melford Road
Righead Ind. Estate
Bellshill ML4 3LR
Scotland
Tel: 01698-845777
FAX: 01698-845888

Cascade (Africa) Pty. Ltd.

PO Box 625, Isando 1600
60A Steel Road
Sparton, Kempton Park
South Africa
Tel: 975-9240
FAX: 394-1147

Cascade Scandinavia AB

Hammarvägen 10
PO Box 124
S-56723 Vaggeryd
Sweden
Tel: 039-336950
FAX: 039-336959

**Cascade France
S.A.R.L. MHP**

1D Rue De Charaintru
BP 18,
91360 Epinay-Sur-Orge
France
Tel: 01-6454-7500
FAX: 01-6454-7501

Cascade Hispania S.A.

Carrer 5, Sector C
Zona Franca Duanera
Poligono de la Zona Franca
08040 Barcelona
Spain
Tel: 93-264-07-30
FAX: 93-264-07-31

Sales Italy

Via Ponzano 11
50047 Prato
Italy
Tel: 0574-571726
FAX: 0574-571726
Mobile Phone: 0337-673029

**Sales Portugal FAG
Santos Lda**

Rua do Mercado
Lte 6, Loja 2-Tires
2785-630
S. Domingos De Rana
Portugal
Tel: 214-448-083
FAX: 214-458-098

**Sales Switzerland
Fahrzeugbedarf**

8810, Horgen
Switzerland
Tel: 01-7279797
FAX: 01-7279798

Sales Poland

Targowa 35/61
03-728 Warszawa
Tel: 022-619 00 49
FAX: 022-619 00 49
Mobile Phone: 0501-27 29 55

Sales Russia

EMCG Material Handling
Equipment
Moscow
Tel: 095-795-2400
FAX: 095-795-2475
Email: emcg@dol.ru

Cascade Japan Ltd.

5-5-41,
Torikai Kami
Settsu, Osaka
Japan, 566
Tel: 81-726-53-3490
FAX: 81-726-53-3497

Cascade Korea

108B Namdong Ind. Complex
658-3 Gojan-Dong
Namdong-Gu
Inchon, 405-310 Korea
Tel: 82-32-821-2051
FAX: 82-32-821-2055

Cascade Australia

1445 Ipswich Road
Rocklea, QLD 4106
Australia
Tel: 1-800227-223
FAX: (07) 3373-7333

Cascade New Zealand

15 Ra Ora Drive
East Tamaki, Auckland
New Zealand
Tel: 9-273-9136
FAX: 9-273-9137

Cascade-Xiamen

No. 668 Yangguang Rd.
Xinyang Industrial Zone
Haicang, Xiamen City
Fujian Province
P.R. China 361026
Tel: 86-592-651-2500
FAX: 86-592-651-2571

**Cascade (Singapore)
Trading Co.**

Four Seasons Park
Autumn Block - Apt. 1802
12 Cuscaden Walk
Singapore
Tel: 65-834-1935
FAX: 65-834-1936

