



# Parts Manual

---

Model Rotator (125D-RR-24C)

Serial Number 670826

---

**cascade**<sup>®</sup>  
corporation

**For Technical Assistance call:** 800-227-2233, Fax: 888-329-8207

**To Order Parts call:** 888-227-2233, Fax: 888-329-0234

**OR**

**Write:** Cascade Corporation, P.O. Box 20187, Portland, OR 97220

**Internet:** [www.cascorp.com](http://www.cascorp.com)

# Safety Decals



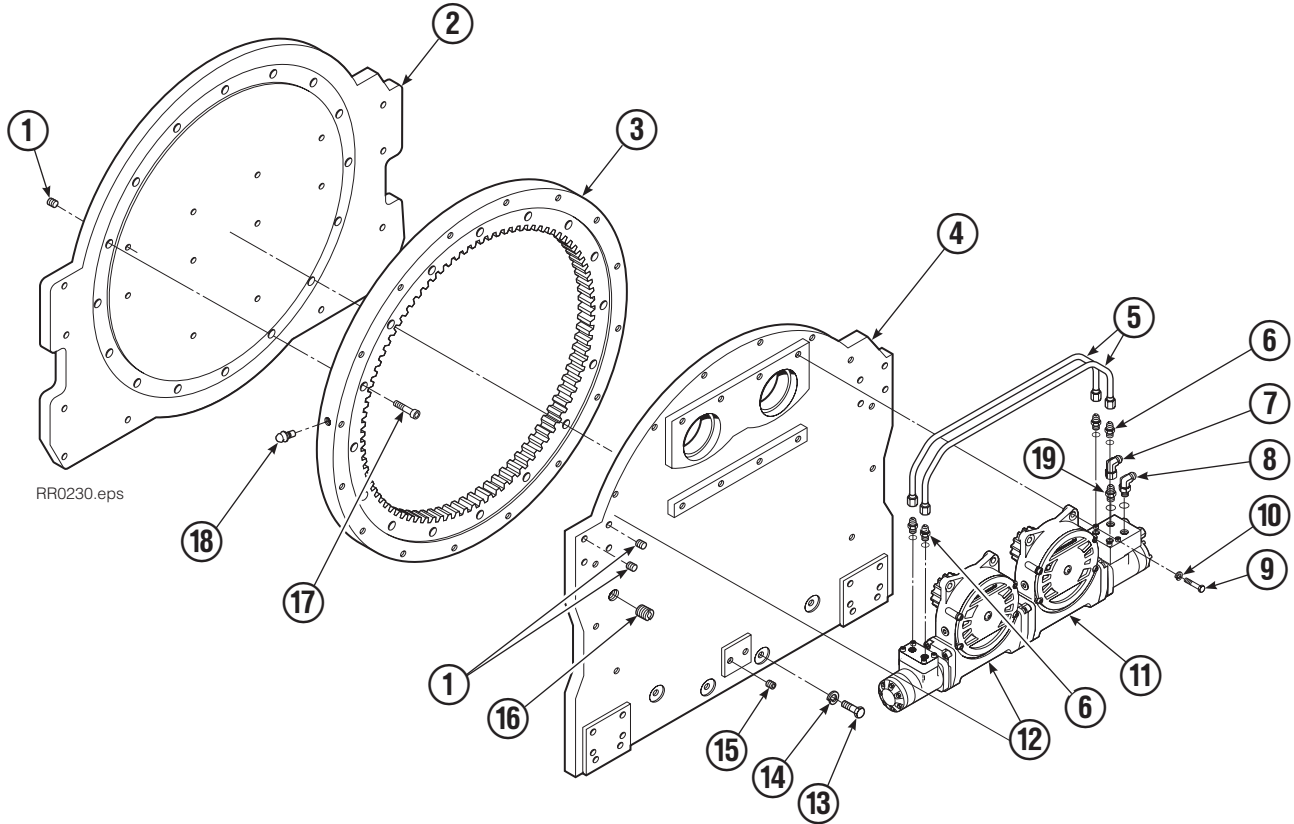
REF	QTY	PART NO.	DESCRIPTION
1	1	679150	No Step Decal

# Publications



PART NO.	DESCRIPTION
672946	Service Manual
672714	Operators Guide
672327	Installation Instructions
679929	Tool Catalog
673964	Literature Index Order Form

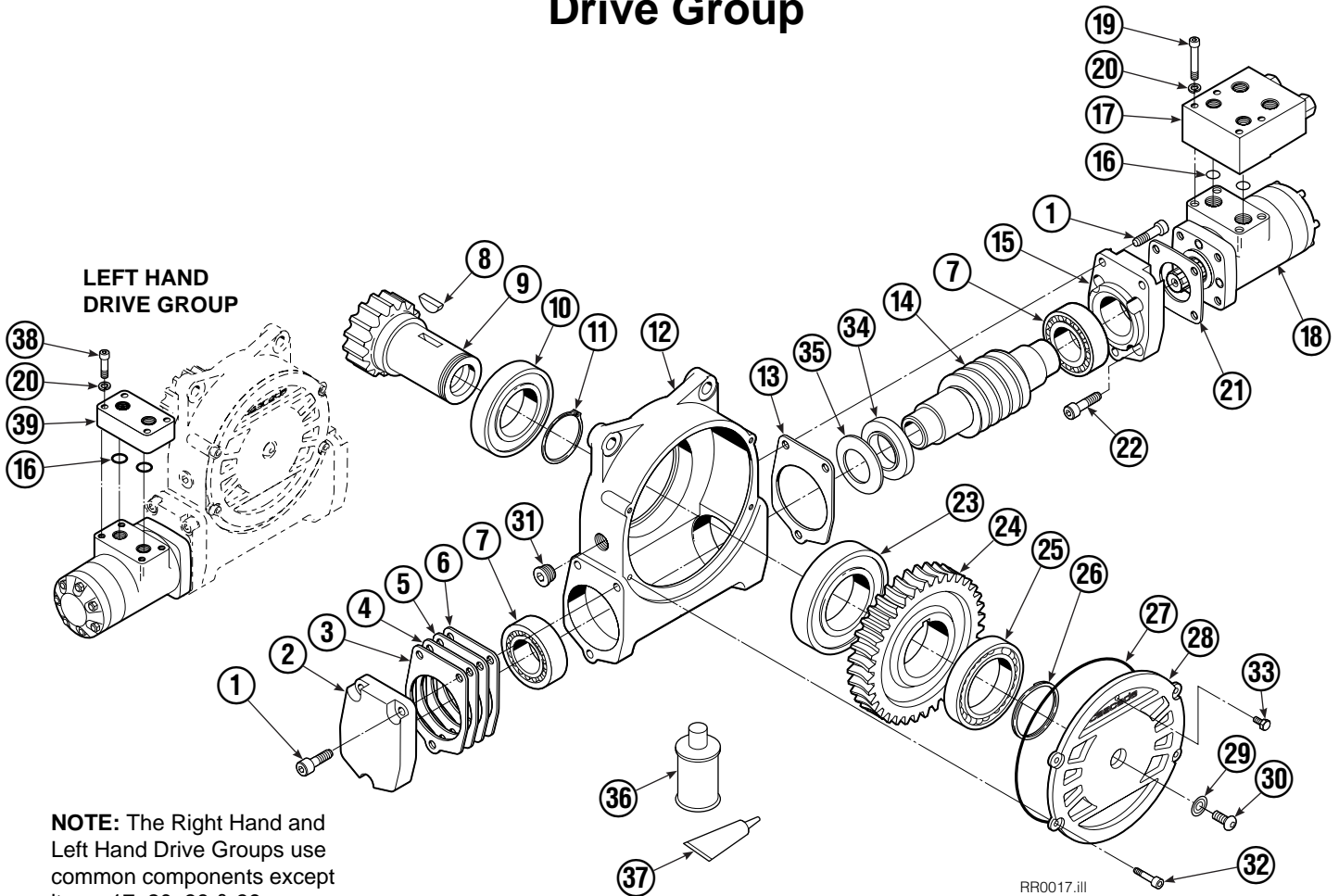
# Base Unit Group



150D			
REF	QTY	PART NO.	DESCRIPTION
		670772	Base Unit Group
1	18	631428	Plug
2	1	670773	Faceplate
3	1	670782	Bearing Assembly
4	1	670774	Baseplate
5	2	670786	Tube Assembly
6	4	662187	Fitting, 8-6
7	1	605761	Fitting, 8-8
8	1	601250	Fitting, 8-8
9	8	661742	Capscrew, 1/2 x 1.25
10	8	6290	Lockwasher
11	1	670558	Drive Group – RH ♦
12	1	670562	Drive Group – LH ♦
13	16	643574	Capscrew, 3/4 x 2.25
14	16	6294	Lockwasher
15	2	631427	Plug
16	1	6605	Plug
17	16	607105	Capscrew, 3/4 x 2.00
18	1	7401	Grease Fitting
19	1	601377	Fitting, 8-8
		672483	Bearing Service Kit

♦ See Drive Group page for parts breakdown.  
Reference: Common Parts Group 670781, SK-5382.

# Drive Group

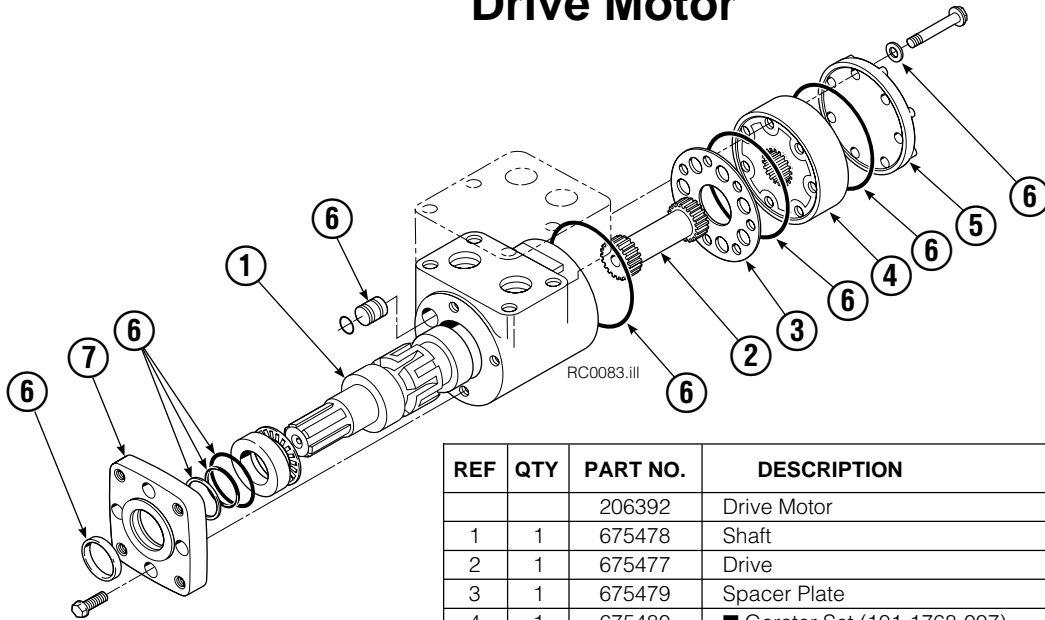


**NOTE:** The Right Hand and Left Hand Drive Groups use common components except items 17–20, 38 & 39.

REF	QTY	PART NO.	DESCRIPTION	REF	QTY	PART NO.	DESCRIPTION
		670558	Drive Group – R.H.	21	1	670575	Gasket
		670562	Drive Group – L.H.	22	4	4468	Capscrew, 3/8 NC x .75 GR8
	■	673896	Drive Box Service Kit – R.H.	23	1	670580	Bearing
	■	673867	Drive Box Service Kit – L.H.	24	1	676448	Worm Gear
1	6	607071	Capscrew, 7/16 NC x 1.0 GR8	25	1	670581	Bearing
2	1	676855	Cover	26	1	7214	Snap Ring
3	●	674513	Shim – .005" (blue)	27	1	643423	O-Ring
4	●	670574	Shim – .010" (brown)	28	1	670567	Cover
5	●	671757	Shim – .015" (pink)	29	1	603680	Seal
6	●	671758	Shim – .020" (yellow)	30	1	4874	Capscrew, 3/8 NC x .50 GR8
7	2	670579	Bearing	31	1	6609	Plug
8	1	670582	Key	32	4	671535	Capscrew, 5/16 NC x .75
9	1	670559	Pinion	33	1	644010	Relief Fitting
10	1	670560	Bearing	34	1	672448	Washer
11	1	3160	Snap Ring	35	1	672449	Washer Spring
12	1	670565	Housing	36	1	656300	Gear Box Lube - 48 oz.
13	1	686465	Gasket	37	1	668184	Sealant
14	1	676447	Worm	38	4	607054	Capscrew, 5/16 NC x .75 GR8
15	1	670570	Adapter	39	1	670563	Manifold – L.H. Drive only
16	2	2705	Seal			670578	Shim Service Kit (items 4,5,6 & 37)
17	1	670561	Check Valve – R.H. only ♦			671583	Bearing Service Kit (items 23 & 37)
18	1	206392	Drive Motor ♦			671584	Bearing Service Kit (items 4–7)
19	4	607060	Capscrew, 5/16 NC x 2.00 GR8			676449	Service Kit, (items 4–6,14,24, & 37)
20	4	6444	Lockwasher			206394	Drive Motor Kit (items 4,16,18,21 & 37)

- Includes all items except 17–20, 38 & 39.
- Quantity as required.
- ♦ See Drive Motor page for parts breakdown.

# Drive Motor

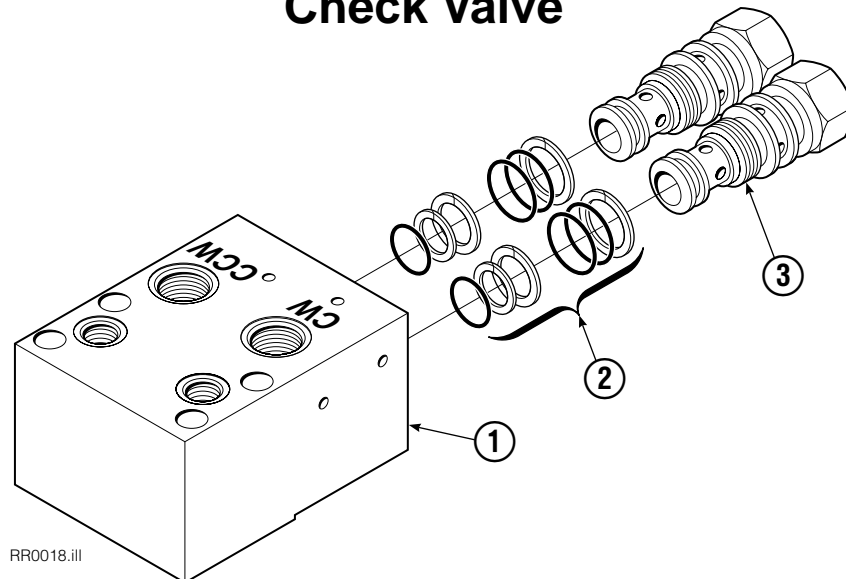


REF	QTY	PART NO.	DESCRIPTION
		206392	Drive Motor
1	1	675478	Shaft
2	1	675477	Drive
3	1	675479	Spacer Plate
4	1	675480	■ Gerotor Set (101-1768-007)
4	1	685075	■ Gerotor Set (101-1768-009)
5	1	675482	End Cap
6	1	206405	● Service Kit
7	1	685089	■ Flange (101-1768-007)
7	1	685090	■ Flange (101-1768-009)

Cascade provides service replacement parts for the listed parts only. Due to cost, if others parts need replacement, the complete drive motor should be replaced.

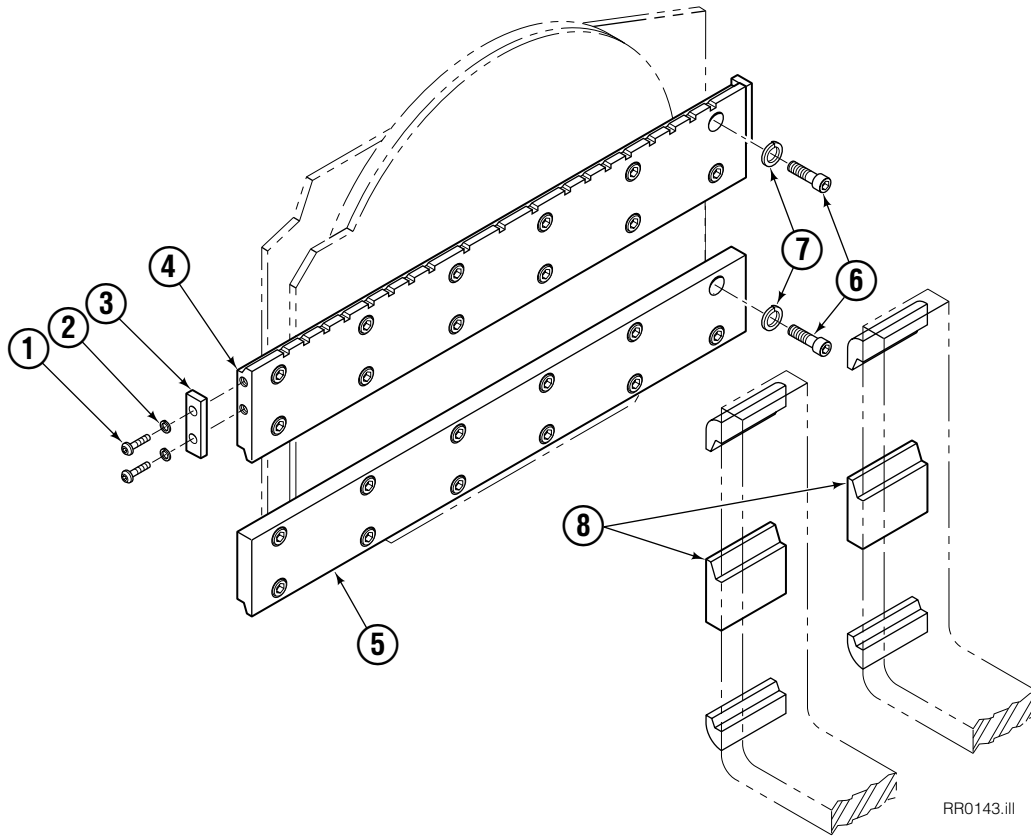
- See Nameplate under valve for correct part number of Gerotor Set and Flange.
- Compatible with water glycol based hydraulic fluids.

# Check Valve



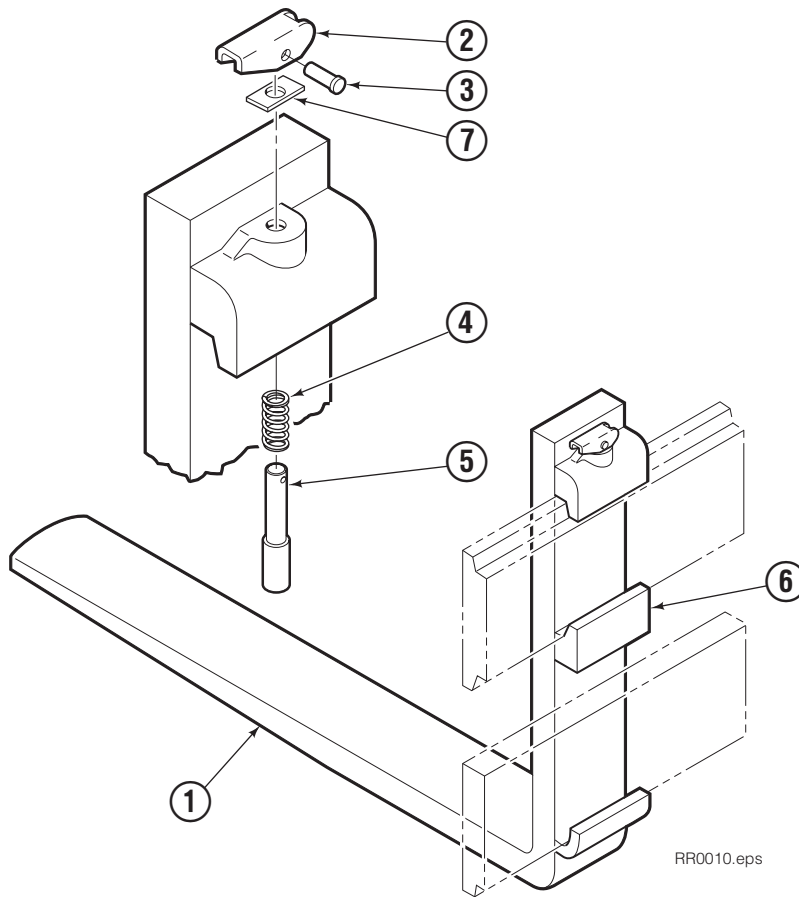
REF	QTY	PART NO.	DESCRIPTION
		670561	Check Valve Assembly
1	1	670583	Body
2	2	656223	Seal Kit
3	2	665097	Check Valve

# Fork Bar Group



REF	QTY	PART NO.	DESCRIPTION
		622150	Fork Bar Group
1	4	4880	Capscrew, .5 x 1.0
2	4	6290	Lockwasher, .5
3	2	622148	Keeper
4	1	622612	Upper Bar
5	1	622615	Lower Bar
6	24	607106	Capscrew, .75 x 2.25
7	24	6448	Lockwasher
8	2	633671	Hook

# Adjustable Fork Assembly

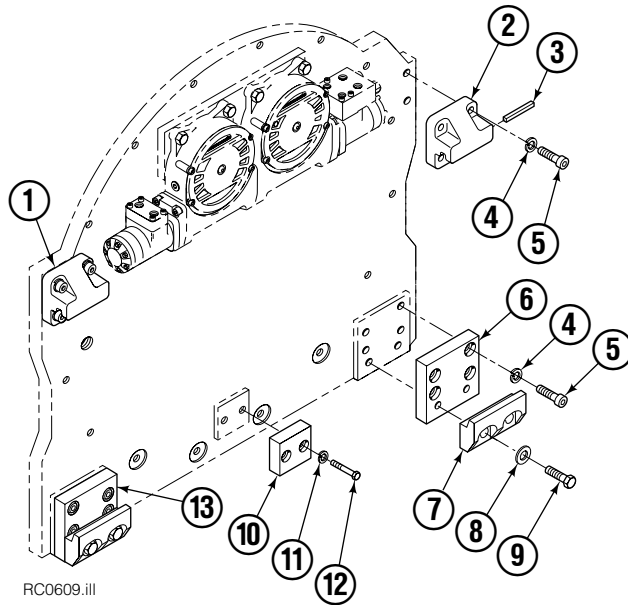


RR0010.eps

120D			
REF	QTY	PART NO.	DESCRIPTION
		633708	Fork Assembly
1	1	646988	Fork Weldment, 48"
2	1	622897	Handle
3	1	8007	Rivet
4	1	633668	Spring
5	1	633670	Pin
6	1	633671	Hook
7	1	633669	Washer

Reference: S-2224.

# Bolt-On Mounting Group



Class IV, 0°			
REF	QTY	PART NO.	DESCRIPTION
		670788	Mounting Group
1	1	670690	Upper Hook – LH
2	1	670691	Upper Hook – RH
3	1	670704	Stop Kit
4	14	6448	Lockwasher, 3/4 in. ID
5	14	607104	Capscrew, 3/4 NC x 1.75
6	1	672700	Adapter Plate – RH
7	2	670694	Lower Hook
8	4	670692	Washer, 3/4 in. ID
9	4	670693	Capscrew, 3/4 NC x 1.75
10	1	670695	Bumper
11	2	6290	Lockwasher, 1/2 in
12	2	3657	Capscrew, 1/2 x 2.00 in.
13	1	672699	Adapter Plate – LH



**Do you have questions you need answered right now?** Call your nearest Cascade Parts Department. Visit us online at [www.cascorp.com](http://www.cascorp.com)

## **AMERICAS**

**Cascade Corporation  
Parts Sales**  
2501 Sheridan Ave.  
Springfield, OH 45505  
Tel: 888-CASCADE (227-2233)  
Fax: 888-329-0234

**Cascade Canada Inc.**  
5570 Timberlea Blvd.  
Mississauga, Ontario  
Canada L4W-4M6  
Tel: 905-629-7777  
Fax: 905-629-7785

**Cascade do Brasil**  
Rua João Guerra, 134  
Macuco, Santos - SP  
Brasil 11015-130  
Tel: 55-13-2105-8800  
Fax: 55-13-2105-8899

## **EUROPE-AFRICA**

**Cascade Italia S.R.L.  
European Headquarters**  
Via Dell'Artigianato 1  
37050 Vago di Lavagno (VR)  
Italy  
Tel: 39-045-8989111  
Fax: 39-045-8989160

**Cascade (Africa) Pty. Ltd.**  
PO Box 625, Isando 1600  
60A Steel Road  
Sparton, Kempton Park  
South Africa  
Tel: 27-11-975-9240  
Fax: 27-11-394-1147

## **ASIA-PACIFIC**

**Cascade Japan Ltd.**  
2-23, 2-Chome,  
Kukuchi Nishimachi  
Amagasaki, Hyogo  
Japan, 661-0978  
Tel: 81-6-6420-9771  
Fax: 81-6-6420-9777

**Cascade Korea**  
121B 9L Namdong Ind.  
Complex, 691-8 Gojan-Dong  
Namdong-Ku  
Inchon, Korea  
Tel: +82-32-821-2051  
Fax: +82-32-821-2055

**Cascade-Xiamen**  
No. 668 Yangguang Rd.  
Xinyang Industrial Zone  
Haicang, Xiamen City  
Fujian Province  
P.R. China 361026  
Tel: 86-592-651-2500  
Fax: 86-592-651-2571

**Cascade India Material  
Handling Private Limited**  
No 34, Global Trade Centre  
1/1 Rambaugh Colony  
Lal Bahadur Shastri Road,  
Navi Peth, Pune 411 030  
(Maharashtra) India  
Phone: +91 020 2432 5490  
Fax: +91 020 2433 0881

**Cascade Australia Pty. Ltd.**  
1445 Ipswich Road  
Rocklea, QLD 4107  
Australia  
Tel: 1-800-227-223  
Fax: +61 7 3373-7333

**Cascade New Zealand**  
15 Ra Ora Drive  
East Tamaki, Auckland  
New Zealand  
Tel: +64-9-273-9136  
Fax: +64-9-273-9137

**Sunstream Industries  
Pte. Ltd.**  
18 Tuas South Street 5  
Singapore 637796  
Tel: +65-6795-7555  
Fax: +65-6863-1368

