



Parts Manual

Model 100D Rotator

Serial Number 100D-RRB-26CR0

cascade[®]
corporation

For Technical Assistance call: 800-227-2233, Fax: 888-329-8207

To Order Parts call: 888-227-2233, Fax: 888-329-0234

OR

Write: Cascade Corporation, P.O. Box 20187, Portland, OR 97220

Internet: www.cascorp.com

Safety Decals



REF	QTY	PART NO.	DESCRIPTION
1	1	679150	No Step Decal

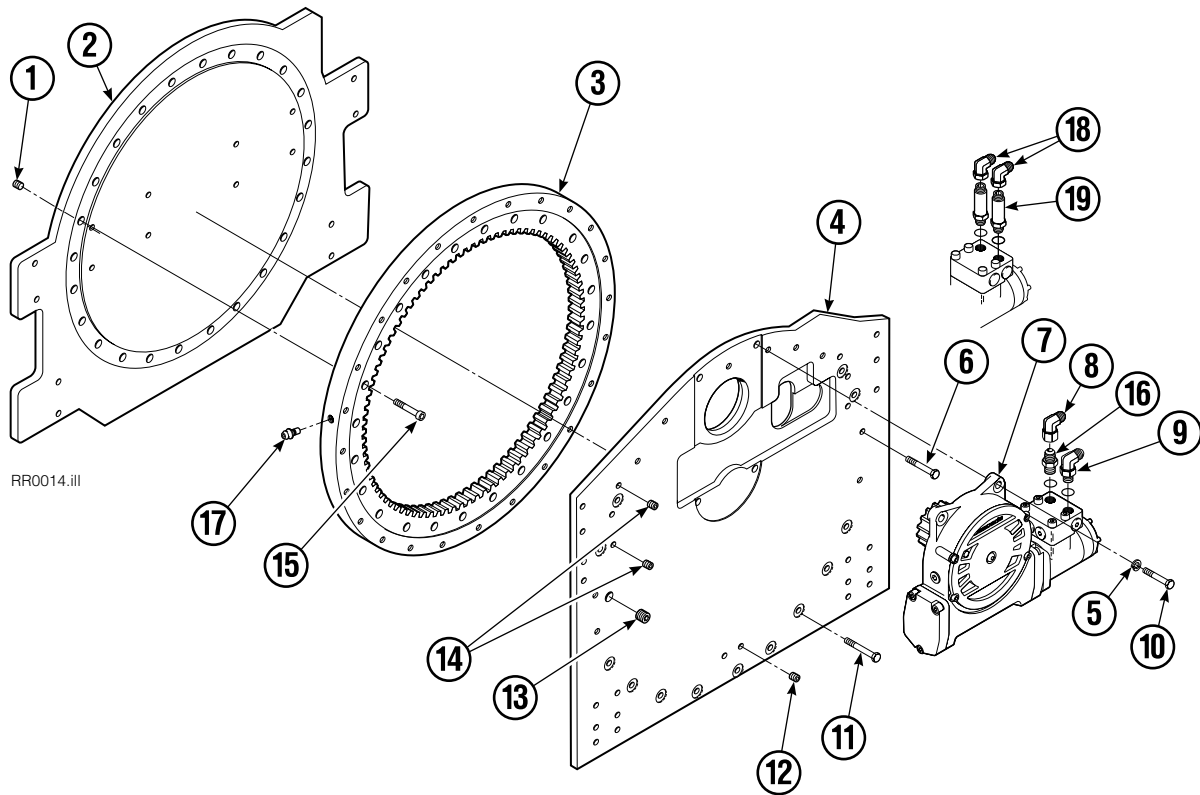
Publications



GA0006.eps

PART NO.	DESCRIPTION
672946	Service Manual
672714	Operators Guide
668987	Installation Instructions
679929	Tool Catalog
673964	Literature Index Order Form

Base Unit Group



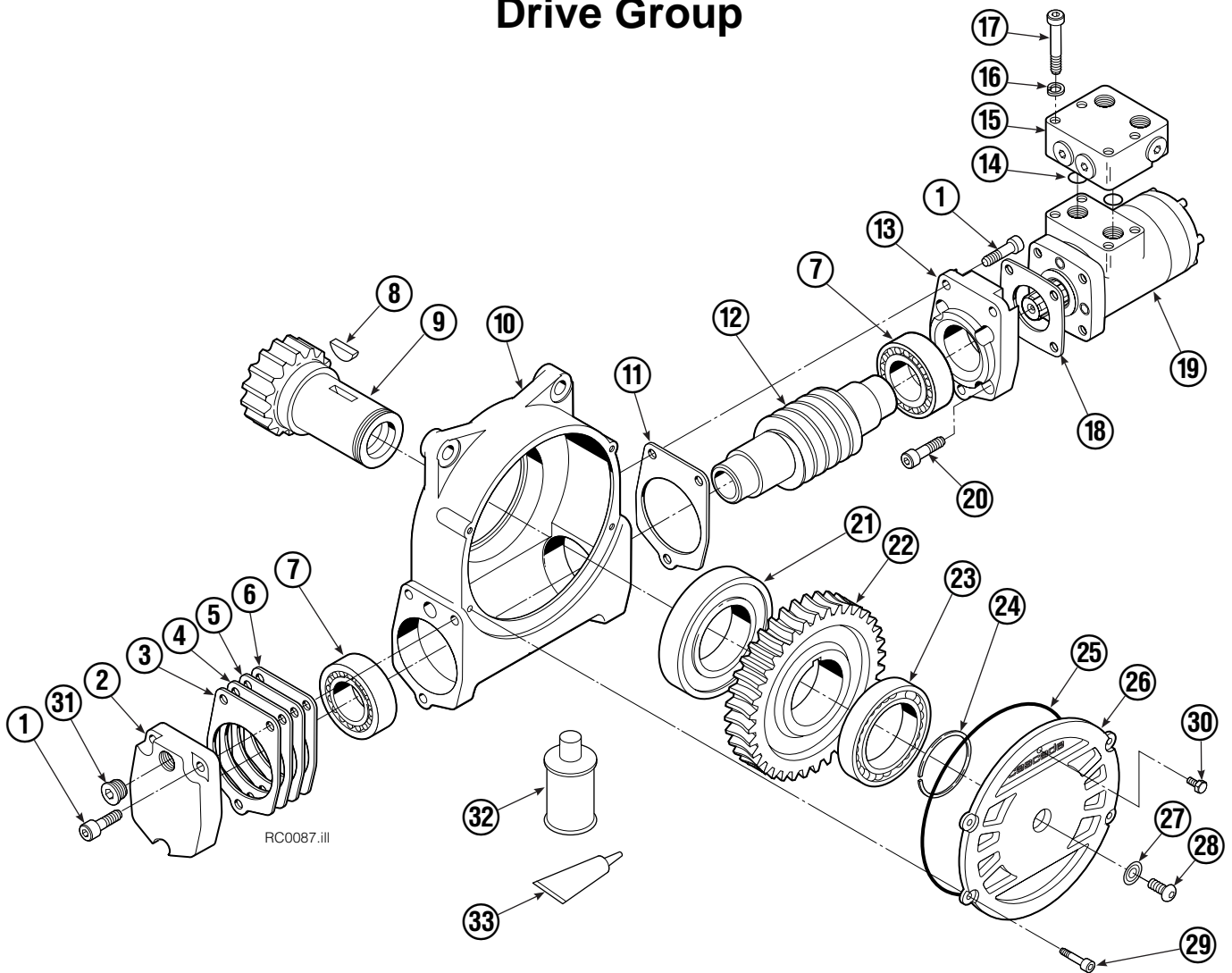
RR0014.iii

100D			
REF	QTY	PART NO	DESCRIPTION
		682647	Base Unit Group
1	10	631428	Plug
2	1	670669	Faceplate
3	1	672830	Bearing Assembly
4	1	682649	Baseplate
5	4	6290	Lockwasher
6	11	643538	Capscrew, 1/2 NC x 1.50 GR8
7	1	675639	Drive Group ●
8	1	605761	Fitting – Class III only, 8-8
9	1	601250	Fitting – Class III only, 8-8
10	4	661742	Capscrew, 1/2 NC x 1.25 GR5
11	13	643539	Capscrew, 1/2 NC x 1.75 GR8
12	2	631427	Plug
13	1	6605	Plug
14	6	631385	Plug
15	24	4506	Capscrew, 1/2 NC x 1.50 GR8
16	1	601377	Fitting – Class III only, 8-8
17	1	7401	Grease Fitting
18	2	605761	Fitting – Class IV only, 8-8
19	2	611295	Fitting – Class IV only, 8-8
		672482	Bearing Service Kit

● See Drive Group page for parts breakdown.

Reference: Common Parts Group 675849, SK-5376.

Drive Group



REF	QTY	PART NO.	DESCRIPTION	REF	QTY	PART NO.	DESCRIPTION
	■	675639	Drive Group with Motor	19	1	206392	Drive Motor ▲
	■	675633	Drive Group without Motor	20	4	4468	Capscrew, 3/8 NC x .75 GR8
1	6	769570	Capscrew, M12 x 25	21	1	670580	Bearing
2	1	676855	Cover	22	1	675609	Worm Gear
3	●	674513	Shim - .005" (blue)	23	1	670581	Bearing
4	●	670574	Shim - .010" (brown)	24	1	7214	Snap Ring
5	●	671757	Shim - .015" (pink)	25	1	643423	O-Ring
6	●	671758	Shim - .020" (yellow)	26	1	775552	Cover
7	2	670579	Bearing	27	1	603680	Seal
8	1	670582	Key	28	1	783608	Capscrew, 3/8 NC x .50 GR8
9	1	670556	Pinion	29	4	200882	Capscrew, M12 x 20
10	1	775551	Housing	30	1	644010	Relief Fitting
11	1	686465	Gasket	31	1	604510	Fitting, 6
12	1	675608	Worm	32	1	656300	Gear Box Lube - 48 oz.
13	1	775553	Adapter	33	1	668184	Sealant
14	2	2705	Seal	34		670578	Shim Service Kit (items 3-6,11,25 & 33)
15	1	670549	Check Valve			675637	Bearing Service Kit (items 21 & 34)
16	4	6444	Lockwasher			675638	Bearing Service Kit (items 7 & 34)
17	4	607059	Capscrew, 5/16 NC			206394	Motor Kit (items 11,14,18,19 & 33)
18	1	670575	Gasket				

■ Includes all items except 14,15,17 and 18.

● Quantity as required.

▲ See Drive Motor page for parts breakdown.

Reference: 675639 (Common Parts 675627, SK-5032.)

675633 (Sub Assy 220335, Common Parts 795490, SKN-5527)

Drive Motor



REF	QTY	PART NO.	DESCRIPTION
		206392	Drive Motor
1	1	675478	Shaft
2	1	675477	Drive
3	1	675479	Spacer Plate
■ 4	1	675480	Gerotor Set (101-1768-007)
■ 4	1	685075	Gerotor Set (101-1768-009)
5	1	675482	End Cap
● 6	1	206405	Service Kit
■ 7	1	685089	Flange (101-1768-007)
■ 7	1	685090	Flange (101-1768-009)

Cascade provides service replacement parts for the listed parts only. Due to cost, if others parts need replacement, the complete drive motor should be replaced.

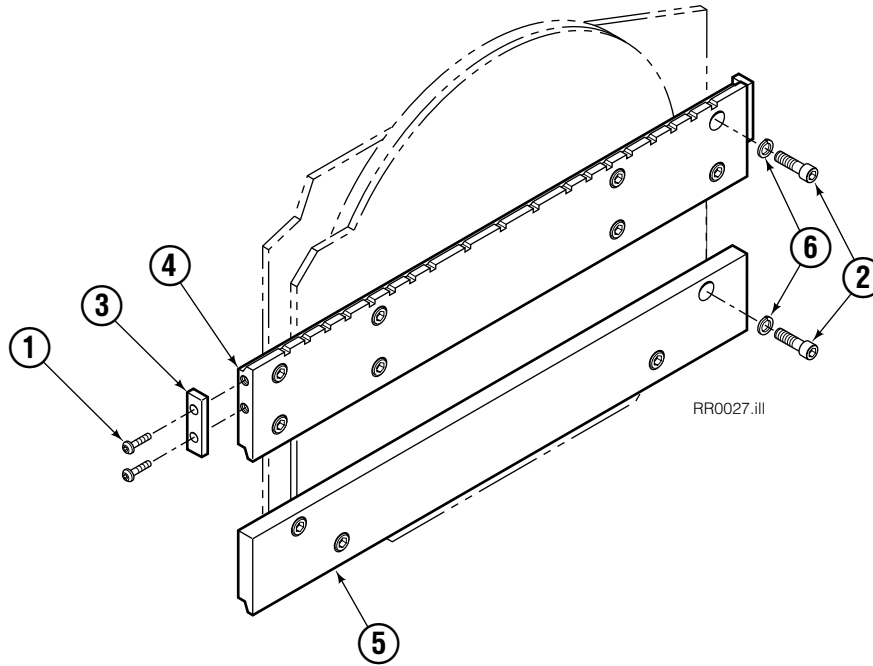
- See Nameplate under valve for correct part number of Gerotor Set and Flange.
- Compatible with water glycol based hydraulic fluids.

Check Valve



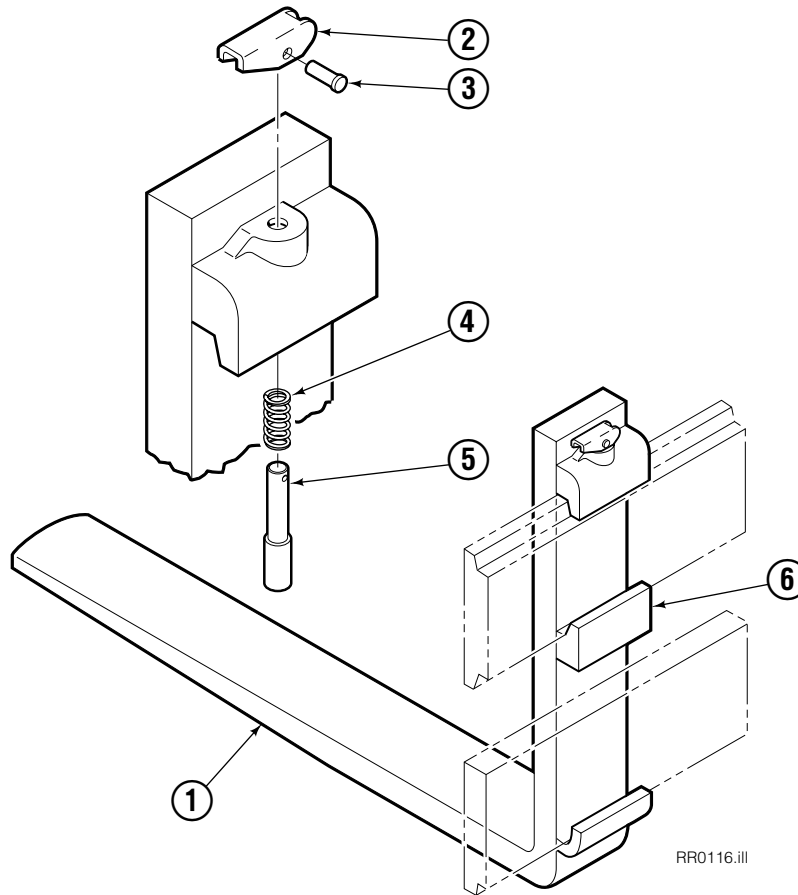
REF	QTY	PART NO.	DESCRIPTION
		670549	Check Valve Assembly
1	2	609453	Fitting, 10
2	2	670552	Spring
3	2	670551	Guide
4	2	7020	Ball
5	2	602580	Fitting, 8
6	2	673989	Spring
7	1	670550	Body
8	1	670553	Spool

Fork Bar Group



100D			
REF	QTY	PART NO.	DESCRIPTION
		206779	Fork Bar Group
1	4	4880	Capscrew, 1/2 NC x 1.0 GR8
2	18	607103	Capscrew, 3/4 NC x 1.50 GR8
3	2	606988	Keeper
4	1	625527	Upper Bar
5	1	625528	Lower Bar
6	18	6448	Lockwasher, 3/4 ID

Adjustable Forks

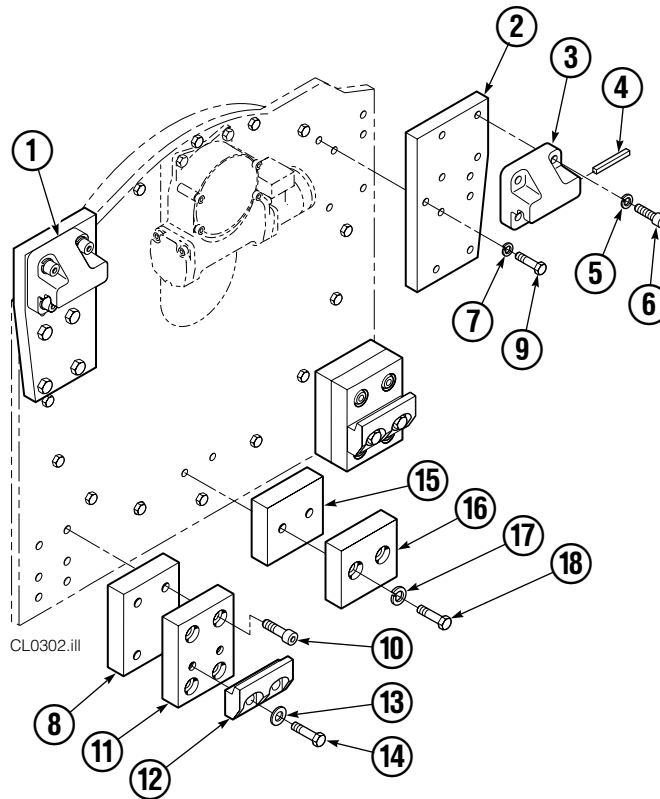


100D						
REF	QTY	42" PART NO.	48" PART NO.	54" PART NO.	60" PART NO.	DESCRIPTION
		672281	672282	672283	672284	Fork Assembly
1	1	645614	645615	645616	645617	● Fork
2	1	622897	622897	622897	622897	Handle
3	1	8007	8007	8007	8007	Rivet
4	1	622898	622898	622898	622898	Spring
5	1	622899	622899	622899	622899	Pin
6	1	689280	689280	689280	689280	■ Middle Hook

● Includes item 6 welded in place.

■ Required when using customer supplied forks.

Bolt-On Mounting Group



Class IV, 0°			
REF	QTY	PART NO	DESCRIPTION
		682142	Mounting Group
1	1	670690	Upper Hook - L.H.
2	2	670697	Adapter Plate
3	1	670691	Upper Hook - R.H.
4	1	670704	Stop Kit
5	8	6448	Lockwasher, 3/4 ID
6	8	607104	Capscrew, 3/4 NC x 1.75 GR8
7	12	6292	Lockwasher, 5/8 ID
8	2	670700	Spacer
9	12	638601	Capscrew, 5/8 NC x 2.0 GR5
10	8	670698	Capscrew
11	2	682195	Adapter Plate
12	2	679832	Lower Hook
13	4	670692	Washer
14	4	670693	Capscrew
15	1	670699	Spacer
16	1	670695	Bumper
17	2	6290	Lockwasher, 1/2 ID
18	2	3664	Capscrew, 1/2 NC x 3.75

Do you have questions you need answered right now? Call your nearest Cascade Parts Department.

Cascade Corporation

2501 Sheridan Avenue
Springfield, OH 45505
Tel: 888-CASCADE (227-2233)
FAX: 888-329-0234
www.cascorp.com

Cascade Canada Inc.

5570 Timberlea Blvd.
Mississauga, Ontario
Canada L4W-4M6
Tel: 905-629-7777
FAX: 905-629-7785

Cascade GmbH

D-41199 Monchengladbach
Klosterhofweg 52
Germany
Tel: 49-216-668230
FAX: 49-216-6682323

Cascade Finland

Albert Petreliuksenkatu 3
01370 Vantaa
Finland
Tel: 358-9-836-1925
FAX: 358-9-836-1935

**Cascade N.V.
European Headquarters**

P.O. Box 3009
1300 El Almere
Damsluisweg 56
1332 ED Almere
The Netherlands
Tel: 31-36-5492911
FAX: 31-36-5492964

**Cascade N.V.
Benelux Sales and Service**

P.O. Box 3009
1300 El Almere
Damsluisweg 56
1332 ED Almere
The Netherlands
Tel: 31-36-5492950
FAX: 31-36-5492974

Cascade (UK) Ltd.

15, Orgreave Crescent
Dore House Industrial Estate
Handsworth
Sheffield S13 9NQ
England
Tel: 742-697524
FAX: 742-695121

Cascade Scandinavia AB

Box 124
Hammarvägen 10
567 23 Vaggeryd
Sweden
Tel: 42-0-393-36950
FAX: 46-0-393-36959

Cascade Norway

Østerliveien 37A
1153 Oslo
Norway
Tel: 47-22-743160
FAX: 47-22-743157

Cascade France S.A.R.L.

1D Rue De Charaintru
BP 18, 91360 Epinay-Sur-Orge
Morangis Cedex, France
Tel: 33-1- 64547500
FAX: 33-1-64547501

Cascade Hispania S.A.

Carrer 5 Sector C
Zona Franca Duanera
Poligono de la Zon Franca
08040 Barcelona, Spain
Office No. 256
Tel: 93-264-07-30
FAX: 93-264-07-31

Cascade Japan Ltd.

5-5-41,
Torikai Kami
Settsu, Osaka
Japan, 566
Tel: 81-726-53-3490
FAX: 81-726-53-3497

Cascade Korea

108B, Namdong Ind Complex
658-3 Gojan-Dong
Namdong-Gu
Inchon, 405-310 Korea
Tel: 82-32-821-2051
FAX: 82-32-821-2055

Cascade Australia

1445 Ipswich Road
Rocklea, QLD 4106
Australia
Tel: 1-800227-223
FAX: (07) 3373-7333

Cascade New Zealand

15 Ra Ora Drive
East Tamaki, Auckland
New Zealand
Tel: 9-273-9136
FAX: 9-273-9137

Cascade (Africa) Pty. Ltd.

P.O. Box 625, Isando 1600
60A Steel Road
Sparton, Kempton Park
South Africa
Tel: 27-11-975-9240
FAX: 27-11-394-1147

Cascade-Xiamen

No. 668 Yangguant Rd.
Xinyang Industry Zone
Haicant, Xiamen City
Fujian Province
P.R. China 361026
Tel: 86-592-651-2500
FAX: 86-592-651-2571

**Cascade (Singapore)
Trading Co.**

Four Seasons Park
Autumn Block - Apt. 1802
12 Cuscaden Walk
Singapore
Tel: 65-834-1935
FAX: 65-834-1936

