



# Parts Manual

---

Model Single-Double Pallet Handler

Serial Number 55E-FD-587

---

**cascade**<sup>®</sup>

For Technical Assistance call: 800-227-2233, Fax: 888-329-8207

To Order Parts call: 888-227-2233, Fax: 888-329-0234

OR

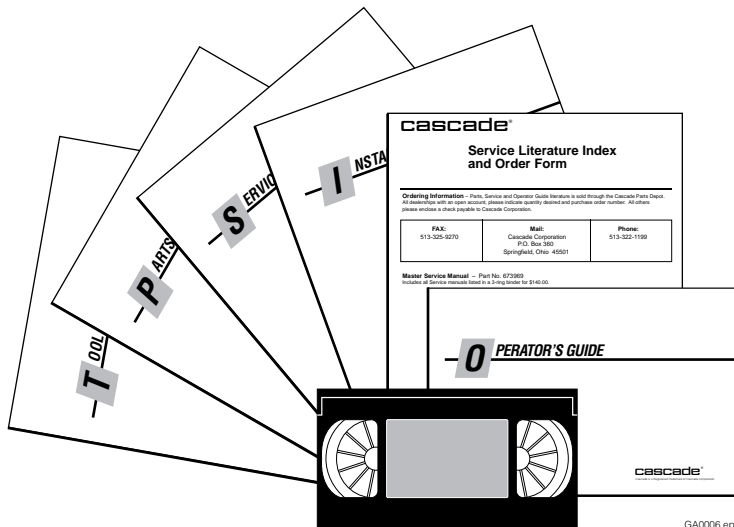
Write: Cascade Corporation, P.O. Box 20187, Portland, OR 97220

# Decals



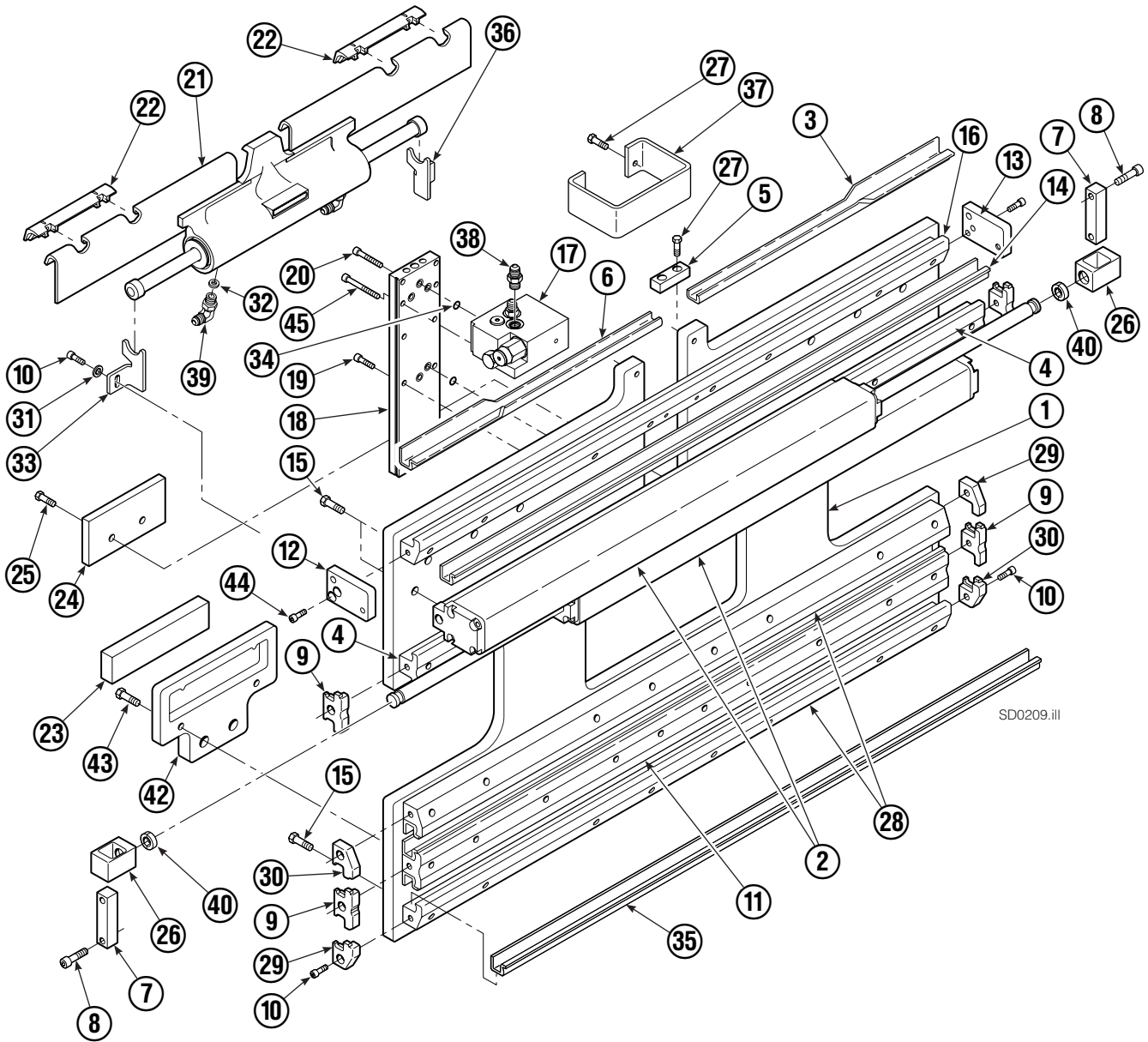
| 55E |     |          |                    |
|-----|-----|----------|--------------------|
| REF | QTY | PART NO. | DESCRIPTION        |
| 1   | 6   | 665595   | No Hand Hold Decal |
| 2   | 4   | 679150   | No Step Decal      |

# Publications



| 55E      |                             |
|----------|-----------------------------|
| PART NO. | DESCRIPTION                 |
|          | Parts Manual                |
| 213580   | Operator's Guide            |
| 213372   | Installation Instructions   |
| 679929   | Tool Catalog                |
| 673964   | Literature Index Order Form |

# Base Unit Group – ITA Class II

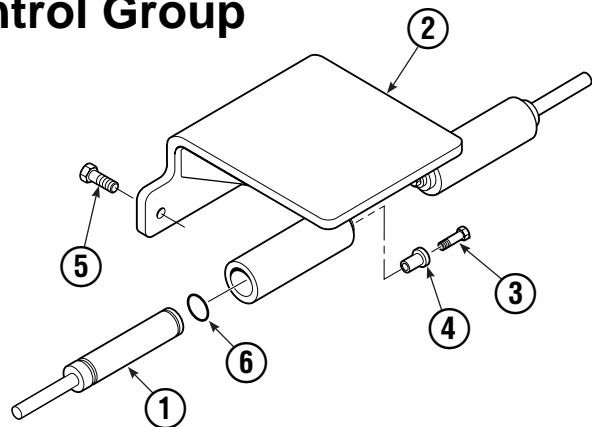


SD0209.iii

## Inner Fork Control Group

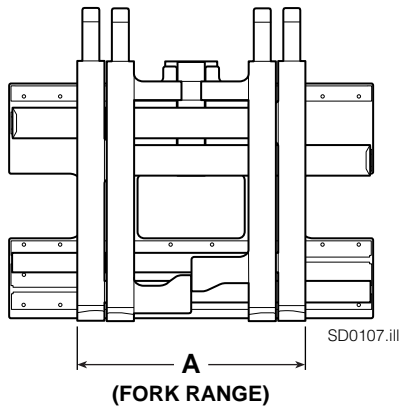
| 55E |     |          |                            |
|-----|-----|----------|----------------------------|
| REF | QTY | PART NO. | DESCRIPTION                |
|     |     | 220287   | Inner Fork Control Group ▼ |
| 1   | 2   | 219703   | Gas Spring                 |
| 2   | 1   | 220273   | Actuator Bracket           |
| 3   | 2   | 762900   | Capscrew, M6 x 25          |
| 4   | 2   | 220286   | Adapter                    |
| 5   | 3   | 683821   | Capscrew, M12 x 20         |
| 6   | 2   | 2843     | O-Ring                     |

▼ Included in Base Unit Group 220186.



SD0208.iii

# Base Unit Group – ITA Class II



**NOTE:** Position the outer forks to minimum width and measure **A** to determine minimum outer fork outside to outside (OTO) range.

| 55E |     |           |                            |
|-----|-----|-----------|----------------------------|
| REF | QTY | PART NO.  | DESCRIPTION                |
|     |     | 220185▼   | Base Unit Group – Class II |
| 1   | 1   | 220017    | Baseplate                  |
| 2   | 2   | 214622    | Frame Cylinder ★           |
| 3   | 1   | 4786-0468 | Bearing Segment – LH       |
| 4   | 2   | 214629    | T-Bar – Upper              |
| 5   | 1   | 212723    | Fork Stop                  |
| 6   | 1   | 4787-0468 | Bearing Segment – RH       |

▼ Includes Inner Fork Control Group 220287.

## Common Parts

| REF | QTY | PART NO.  | DESCRIPTION                | REF | QTY | PART NO.  | DESCRIPTION          |
|-----|-----|-----------|----------------------------|-----|-----|-----------|----------------------|
| 7   | 2   | 210489    | Rod End Anchor ■           | 27  | 4   | 684649    | Capscrew, M10 x 25   |
| 8   | 4   | 768303    | Capscrew, M10 x 35 ■       | 28  | 2   | 214633    | T-Bar – Lower        |
| 9   | 4   | 210140    | Bearing Retainer           | 29  | 2   | 212585    | Bearing Retainer     |
| 10  | 14  | 787375    | Capscrew, M8 x 20 GR 8.8   | 30  | 2   | 212586    | Bearing Retainer     |
| 11  | 1   | 214631    | T-Bar – Lower              | 31  | 2   | 787398    | Washer               |
| 12  | 1   | 220009    | Retainer/Stop – RH         | 32  | 1   | 205369    | Washer               |
| 13  | 1   | 220008    | Retainer/Stop – LH         | 33  | 1   | 213737    | Bracket – RH         |
| 14  | 4   | 4730-1050 | Bearing Segment            | 34  | 7   | 214053    | O-Ring               |
| 15  | 24  | 211689    | Capscrew, M12 x 30 GR 10.9 | 35  | 4   | 4730-1040 | Bearing Segment      |
| 16  | 1   | 220143    | T-Bar – Upper              | 36  | 1   | 213736    | Bracket – LH         |
| 17  | 1   | 216838    | Valve Assembly ▲           | 37  | 1   | 212741    | Valve Guard          |
| 18  | 1   | 211456    | Manifold                   | 38  | 2   | 604511    | Fitting, 6-6 ◆       |
| 19  | 6   | 768208    | Capscrew, M8 x 25          | 39  | 2   | 601676    | Fitting, 6-6 ◆       |
| 20  | 2   | 768800    | Capscrew, M8 x 60          | 40  | 4   | 210490    | Retainer Half Ring ■ |
| 21  | 1   | 205842    | Sideshift Cylinder ●       | 41  | 26  | 214487    | Capscrew, M12 x 40   |
| 22  | 2   | 204187    | Upper Bearing              | 42  | 2   | 215226    | Hanger               |
| 23  | 2   | 208350    | Lower Bearing              | 43  | 4   | 787383    | Lockwasher, M10      |
| 24  | 2   | 212709    | Spacer Block               | 44  | 2   | 762900    | Capscrew, M6 x 25    |
| 25  | 8   | 767615    | Capscrew, M10 x 25         | 45  | 2   | 768802    | Capscrew, M8 x 70    |
| 26  | 2   | 209741    | Rod End ■                  |     |     |           |                      |

★ See Frame Cylinder page for parts breakdown.

▲ See Valve Assembly page for parts breakdown.

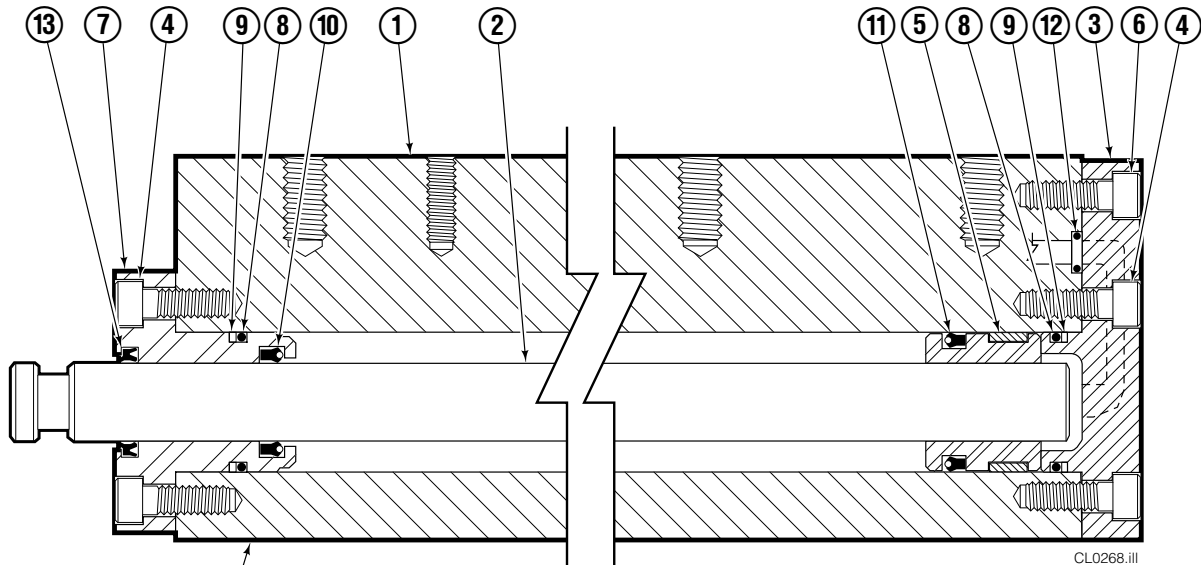
■ Included in Cylinder Rod Anchor Kit 213856.

● See Sideshift Cylinder page for parts breakdown.

◆ Included in Fitting Group 213099.

Reference: SK-6374.

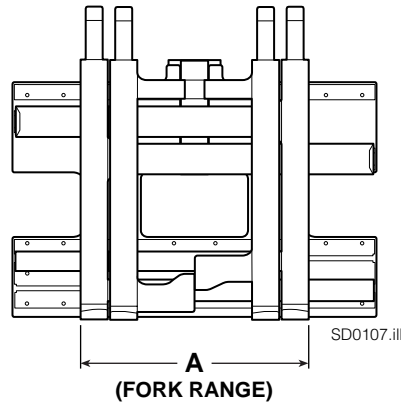
# Frame Cylinder



CL0268.ill

STAMPED  
CYLINDER  
ASSEMBLY  
PART NUMBER

**NOTE:** Position the outer forks to minimum width and measure **A** to determine minimum outer fork outside to outside (OTO) range.



SD0107.ill

| 55E |     |   |                      |                      |                   |
|-----|-----|---|----------------------|----------------------|-------------------|
|     |     | DIMENSION - A<br>MINIMUM OTO FORK RANGE |                      |                      |                   |
|     |     | 26 in.<br>(660 mm)                      | 27.5 in.<br>(700 mm) | 31.9 in.<br>(810 mm) |                   |
| REF | QTY | PART NO.                                | PART NO.             | PART NO.             | DESCRIPTION       |
|     |     | 214620                                  | 214622               | 214624               | Cylinder Assembly |
| 1   | 1   | 214621                                  | 214623               | 214625               | Cylinder/Shell    |
| 2   | 1   | 4157-805                                | 4157-825             | 4157-880             | Rod               |

## Common Parts

| REF | QTY | PART NO. | DESCRIPTION       | REF | QTY | PART NO. | DESCRIPTION    |
|-----|-----|----------|-------------------|-----|-----|----------|----------------|
| 3   | 1   | 213783   | End Cap           | 9   | 2   | 210050   | Back-Up Ring ▲ |
| 4   | 8   | 768208   | Capscrew, M8 x 25 | 10  | 1   | 212477   | Seal ▲         |
| 5   | 1   | 209809   | Bearing ▲         | 11  | 1   | 209808   | Seal ▲         |
| 6   | 1   | 787375   | Capscrew, M8 x 20 | 12  | 2   | 214053   | O-Ring ▲       |
| 7   | 1   | 212452   | Retainer          | 13  | 1   | 562131   | Wiper ▲        |
| 8   | 3   | 643379   | O-Ring ▲          |     |     | 210090   | Service Kit    |

▲ Included in Service Kit 210090.

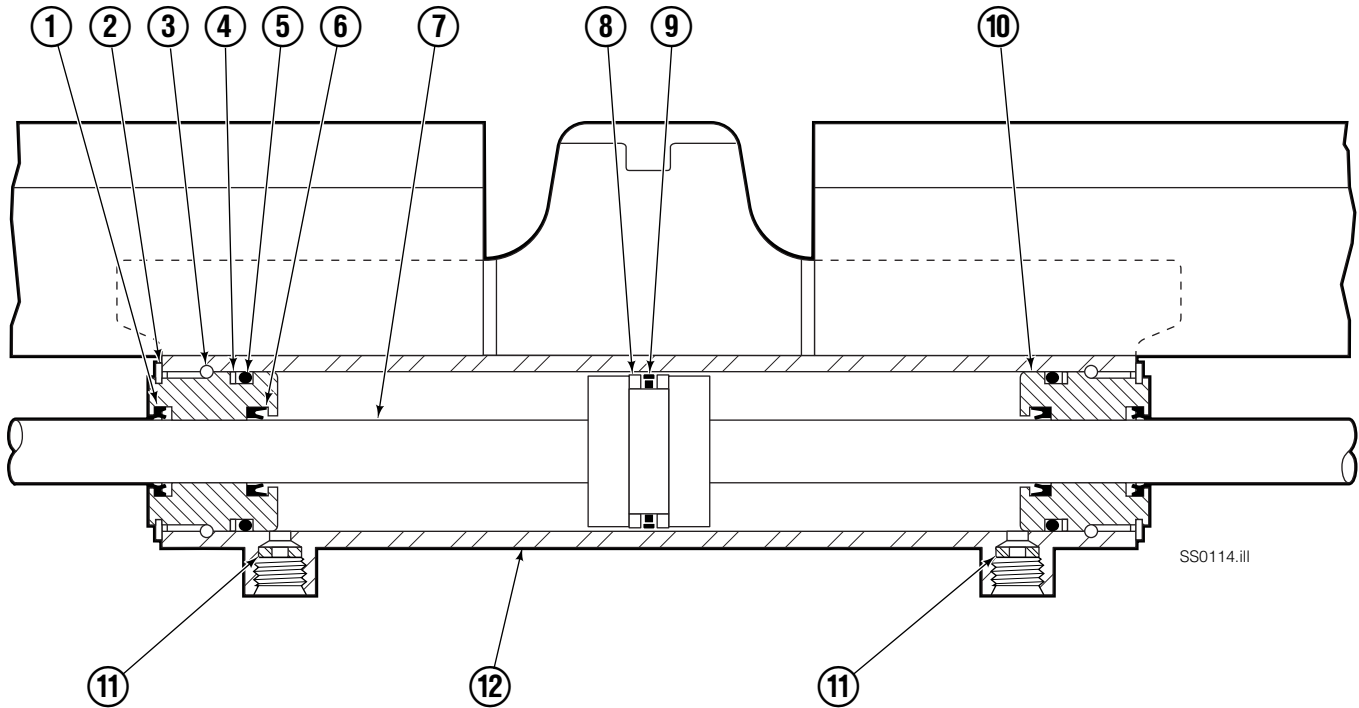
Reference: S-4643, S-4644.

# Valve ITA Class III



| 55E |     |          |                        |
|-----|-----|----------|------------------------|
| REF | QTY | PART NO. | DESCRIPTION            |
|     |     | 216838   | Valve Assembly         |
| 1   | 1   | 219039   | Check Valve            |
| 2   | 1   | —        | Service Kit            |
| 3   | 1   | 609234   | Plug                   |
| 4   | 1   | 216839   | Valve Body             |
| 5   | 1   | 213535   | Crossover Relief Valve |
| 6   | 1   | 682170   | Service Kit            |
| 7   | 1   | 219040   | Flow Divider/Combiner  |
| 8   | 1   | —        | Service Kit            |

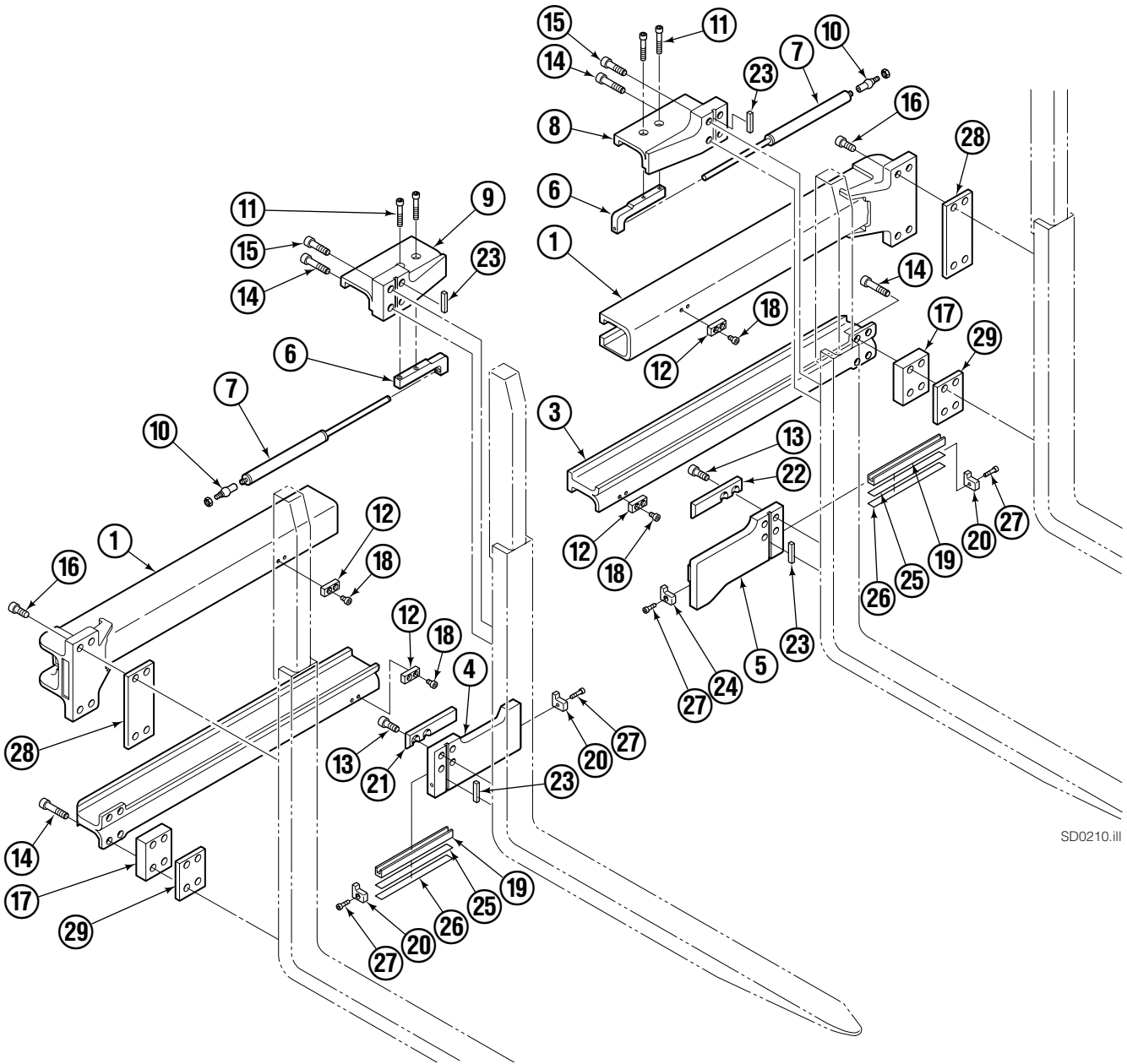
# Sideshift Cylinder ITA Class II



| 55E |     |          |                      |
|-----|-----|----------|----------------------|
| REF | QTY | PART NO. | DESCRIPTION          |
|     |     | 205842   | Cylinder Assembly    |
| ● 1 | 2   | 562131   | Wiper Seal           |
| 2   | 2   | 562951   | Snap Ring            |
| 3   | 2   | 562942   | Retaining Ring       |
| ● 4 | 2   | 563388   | Back-Up Ring         |
| ● 5 | 2   | 562127   | O-Ring               |
| ● 6 | 2   | 562132   | Rod Seal             |
| 7   | 1   | 562055   | Rod                  |
| ● 8 | 2   | 563278   | Bearing Ring         |
| ● 9 | 1   | 564141   | Piston Seal          |
| 10  | 2   | 562792   | Retainer             |
| 11  | 2   | 205369   | Speed Control Washer |
| 12  | -   | ■        | Cylinder Shell       |
|     |     | 563487   | Service Kit          |

- Included in Service Kit 563487.
- Not serviceable, order new cylinder assembly.

# Arm Group



SD0210.III

# Arm Group



**NOTE:** Position the inner forks to maximum width and measure **A** to determine maximum inner fork inside to inside (ITI) range.

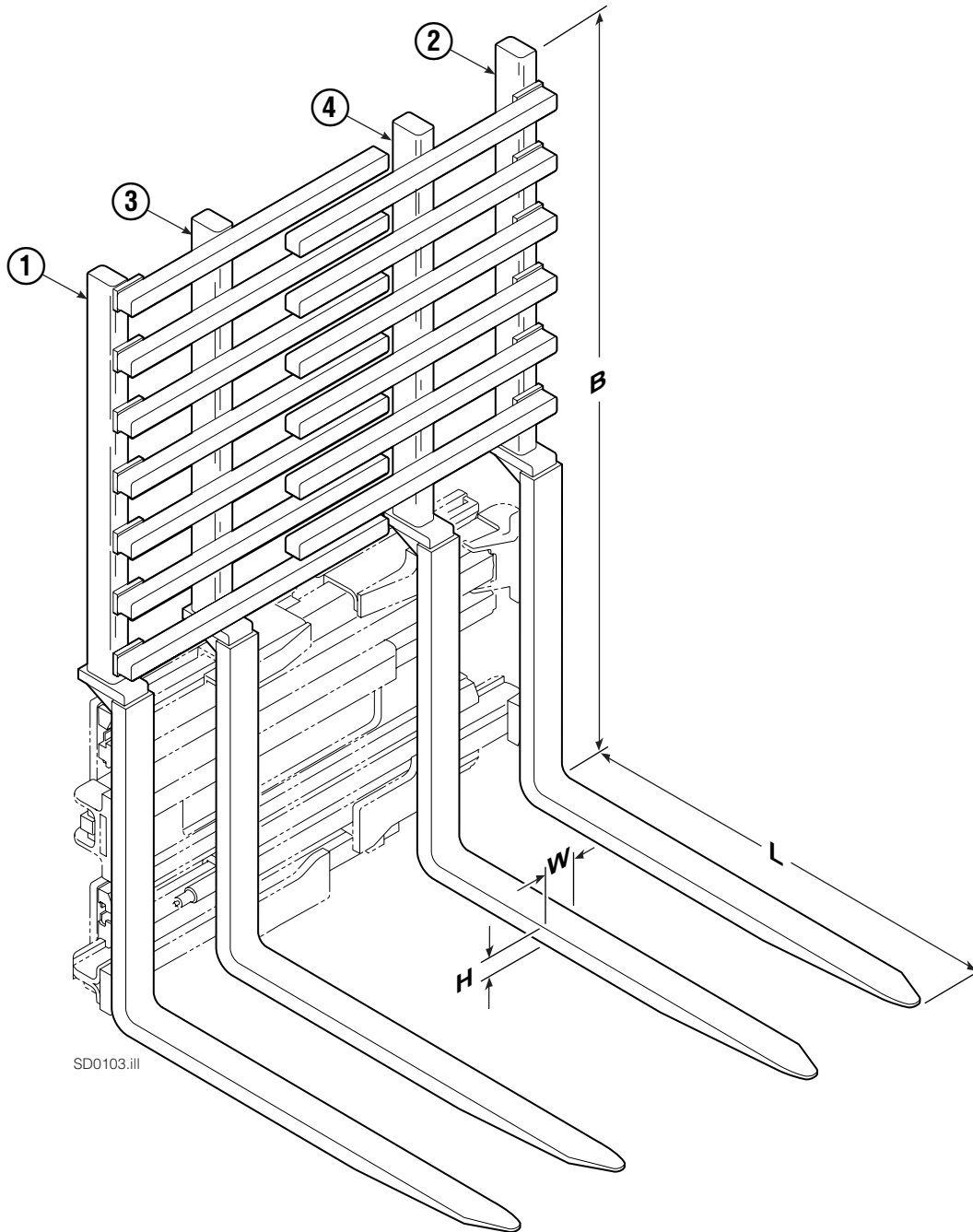
| 55E |     |   |                      |                    |                    |                    |
|-----|-----|---|----------------------|--------------------|--------------------|--------------------|
|     |     | DIMENSION – A<br>MAXIMUM ITI FORK RANGE |                      |                    |                    |                    |
|     |     | 28 in.<br>(720 mm)                      | 28.5 in.<br>(730 mm) | 31 in.<br>(790 mm) | 32 in.<br>(820 mm) |                    |
| REF | QTY | PART NO.                                | PART NO.             | PART NO.           | PART NO.           | DESCRIPTION        |
|     |     | 220119                                  | <b>220122</b>        | 220123             | 220120             | Arm Group          |
| 1   | 2   | 220175                                  | 220176               | 220177             | 220174             | Upper Arm Bar      |
| 2   | 1   | 220214                                  | 220216               | 220217             | 220213             | Lower Arm Bar – RH |
| 3   | 1   | 220204                                  | 220206               | 220207             | 220203             | Lower Arm Bar – LH |
| 4   | 1   | 220135                                  | 220136               | 220137             | 220135             | Lower Hook – RH    |
| 5   | 1   | 220138                                  | 220139               | 220140             | 220138             | Lower Hook – LH    |
| 6   | 2   | 10273-0243                              | 10273-0133           | 10273-0178         | 10273-0243         | Bracket            |
| 7   | 2   | 218895                                  | 219979               | 219979             | 218895             | Gas Spring         |

## Common Parts

| REF | QTY | PART NO. | DESCRIPTION        | REF | QTY | PART NO.  | DESCRIPTION           |
|-----|-----|----------|--------------------|-----|-----|-----------|-----------------------|
| 8   | 1   | 220096   | Upper Hook – LH    | 19  | 2   | 4501-0222 | Bearing Segment       |
| 9   | 1   | 220095   | Upper Hook – RH    | 20  | 2   | 212979    | Bearing Retainer      |
| 10  | 2   | 213011   | Ball Joint         | 21  | 1   | 212682    | Bearing – RH          |
| 11  | 4   | 766646   | Capscrew, M10 x 20 | 22  | 1   | 213899    | Bearing – LH          |
| 12  | 4   | 212687   | Fork Stop          | 23  | 4   | 213364    | Key                   |
| 13  | 8   | 769574   | Capscrew, M16 x 35 | 24  | 2   | 213360    | Bearing Retainer      |
| 14  | 12  | 769578   | Capscrew, M16 x 60 | 25  | 4   | 212559    | Shim, .04 in. (.1 mm) |
| 15  | 4   | 769577   | Capscrew, M16 x 50 | 26  | 4   | 213913    | Shim, .02 in. (.5 mm) |
| 16  | 8   | 769573   | Capscrew, M16 x 30 | 27  | 4   | 787375    | Capscrew, M8 x 20     |
| 17  | 2   | 210587   | Spacer             | 28  | 4   | 797611    | Spacer                |
| 18  | 4   | 214414   | Capscrew, M10 x 12 | 29  | 4   | 797610    | Spacer                |

Reference: SK-6373 and 6374. Common Parts Group 220285.

# Interlocking Backrest/Fork Group



SD0103.iii

| 55E        |     |     |    |                        |               |               |               |               |
|------------|-----|-----|----|------------------------|---------------|---------------|---------------|---------------|
| SIZE (IN.) |     |     |    | FORK GROUP<br>PART NO. | REF 1         | REF 2         | REF 3         | REF 4         |
| L          | W   | H   | B  |                        | Outer Fork-RH | Outer Fork-LH | Inner Fork-RH | Inner Fork-LH |
| 35.8       | 3.8 | 1.9 | 60 | ●396964                | 396967        | 396965        | 396971        | 396969        |

● Backrest has 4 fingers.

# Mounting Group ITA Class II



SD0221.ill

| 55E |     |          |                    |
|-----|-----|----------|--------------------|
| REF | QTY | PART NO. | DESCRIPTION        |
|     |     | 212569   | Upper Hook Group ▲ |
|     |     | 211173   | Lower Hook Group ★ |
| 1   | 2   | 210591   | Upper Hook         |
| 2   | 6   | 751511   | Capscrew, M16 x 55 |
| 3   | 2   | 7403     | Grease Fitting     |
| 4   | 2   | 675968   | Lower Hook         |
| 5   | 4   | 667225   | Washer             |
| 6   | 4   | 751511   | Capscrew, M16 x 55 |

▲ Includes items 1 & 2.

★ Includes items 4-6.

Reference: SK-6373.

**Do you have questions you need answered right now?** Call your nearest Cascade Parts Department.

**Cascade Corporation**  
2501 Sheridan Avenue  
Springfield, OH 45505  
Tel: 888-CASCADE (227-2233)  
FAX: 888-329-0234

**Cascade Canada Inc.**  
5570 Timberlea Blvd.  
Mississauga, Ontario  
Canada L4W-4M6  
Tel: 905-629-7777  
FAX: 905-629-7785

**Cascade GmbH**  
D-41199 Monchengladbach  
Klosterhofweg 52  
Germany  
Tel: 21-66-602091  
FAX: 21-66-680947

**Cascade Finland**  
01370 Vantas  
Finland  
Tel: 358-0-836-1925  
FAX: 358-0-836-1935

**Cascade N.V.  
European Headquarters**  
P.O. Box 3009  
1300 El Almere  
Damsluisweg 56  
1332 ED Almere  
The Netherlands  
Tel: 31-36-5492911  
FAX: 31-36-5492964

**Cascade N.V.  
Benelux Sales and Service**  
P.O. Box 3009  
1300 El Almere  
Damsluisweg 56  
1332 ED Almere  
The Netherlands  
Tel: 31-36-5492950  
FAX: 31-36-5492974

**Cascade (UK) Ltd.**  
15, Orgreave Crescent  
Dore House Industrial Estate  
Handsworth  
Sheffield S13 9NQ  
England  
Tel: 742-697524  
FAX: 742-695121

**Cascade Scandinavia  
Hydraulik A.B.**  
Muskötgatan 19, E8-9  
S25466 Helsingborg  
Sweden  
Tel: 42-151135  
FAX: 42-152997

**Cascade Norway**  
Østerliveien 37A  
1153 Oslo  
Norway  
Tel: 47-22-743160  
FAX: 47-22-743157

**Cascade France S.A.R.L.**  
11, Rue Jean Charcot  
Zone Industrielle Sud or  
B.P. 22  
91421 Morangis Cedex  
France  
Tel: 1- 64547501  
FAX: 1-9790584

**Cascade Hispania S.A.**  
Avenida De La Fabregada, 7  
Hospitalet De Llobregat  
Barcelona  
Spain  
Tel: 3-335-5158  
FAX: 3-335-4756

**Cascade Japan Ltd.**  
5-5-41,  
Torikai Kami  
Settsu, Osaka  
Japan, 566  
Tel: 81-726-53-3490  
FAX: 81-726-53-3497

**Cascade Korea**  
Room 508, Pum Yang Bldg.  
750-14, Bang Bac-Dong  
Se-Cho Ku, Seoul  
Korea  
Tel: 2599-7131 ext. 512  
FAX: 2533-8089

**HYCO-Cascade Pty. Ltd.**  
87 Antimony Street  
Carole Park,  
Brisbane 4300  
Australia  
Tel: 7-271-1966  
FAX: 7-271-3830

**HYCO-Cascade (NZ) Ltd.**  
15 Ra Ora Drive, East Tamaki  
P.O. Box 38-440  
Howick, Auckland  
New Zealand  
Tel: 9-273-9136  
FAX: 9-273-9137

**Cascade (Africa) Pty. Ltd.**  
P.O. Box 625, Isando 1600  
60A Steel Road  
Sparton, Kempton Park  
South Africa  
Tel: 975-9240  
FAX: 394-1147

**Cascade-Xiamen**  
Wanshan No. 1 Workshop  
Huli Road  
Xiamen 361006  
Fujian, PRC  
Tel: 592-562-4600  
FAX: 592-562-4671

**Cascade (Singapore)  
Trading Co.**  
Four Seasons Park  
Autumn Block - Apt. 1802  
12 Cascaden Walk  
Singapore  
Tel: 65-834-1935  
FAX: 65-834-1936

