



Parts Manual

Model 65D Rotator

Serial Number 65D-RRB-10BR0

cascade[®]
corporation

For Technical Assistance call: 800-227-2233, Fax: 888-329-8207

To Order Parts call: 888-227-2233, Fax: 888-329-0234

OR

Write: Cascade Corporation, P.O. Box 20187, Portland, OR 97220

Internet: www.cascorp.com

Safety Decals



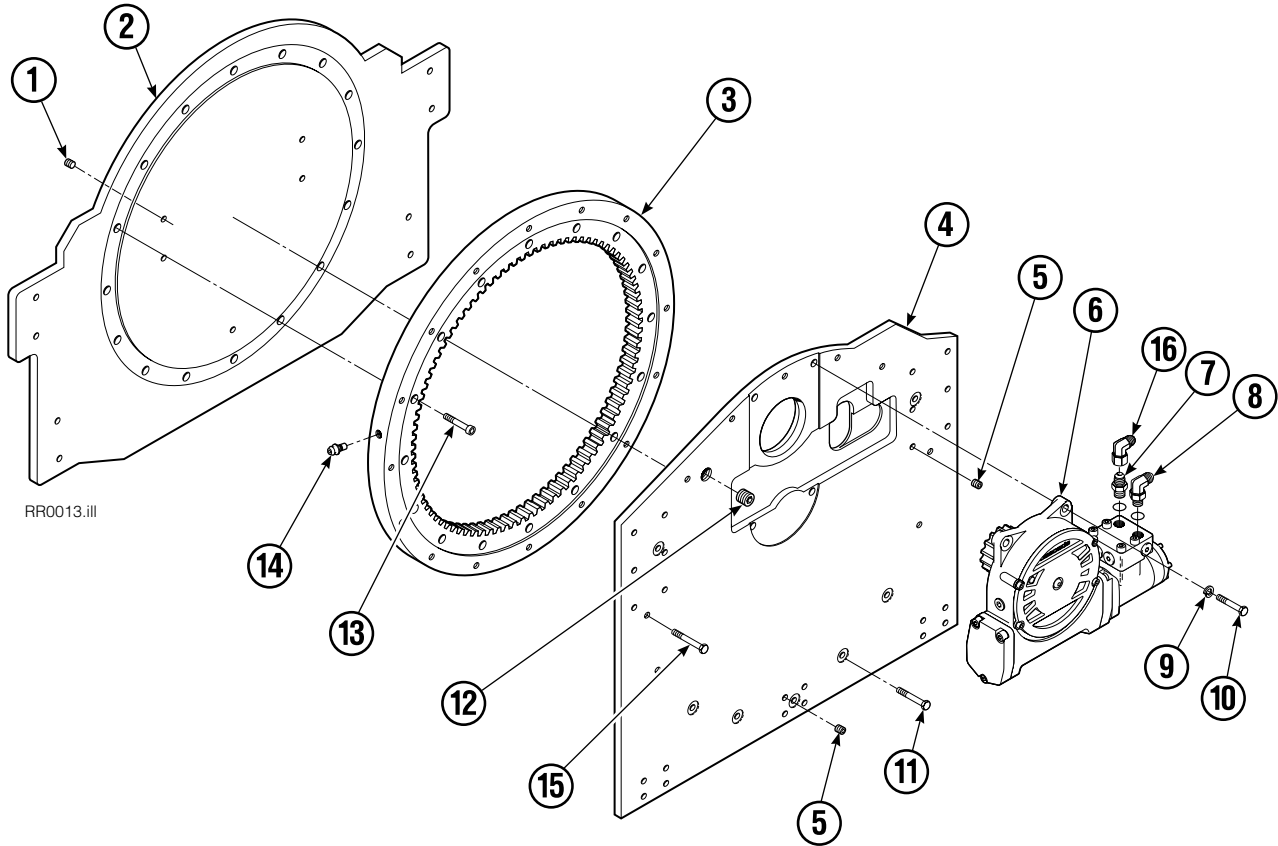
| REF | QTY | PART NO. | DESCRIPTION |
|-----|-----|----------|---------------|
| 1 | 1 | 679150 | No Step Decal |

Publications



| PART NO. | DESCRIPTION |
|----------|-----------------------------|
| 672946 | Service Manual |
| 672714 | Operators Guide |
| 672327 | Installation Instructions |
| 679929 | Tool Catalog |
| 673964 | Literature Index Order Form |

Base Unit Group

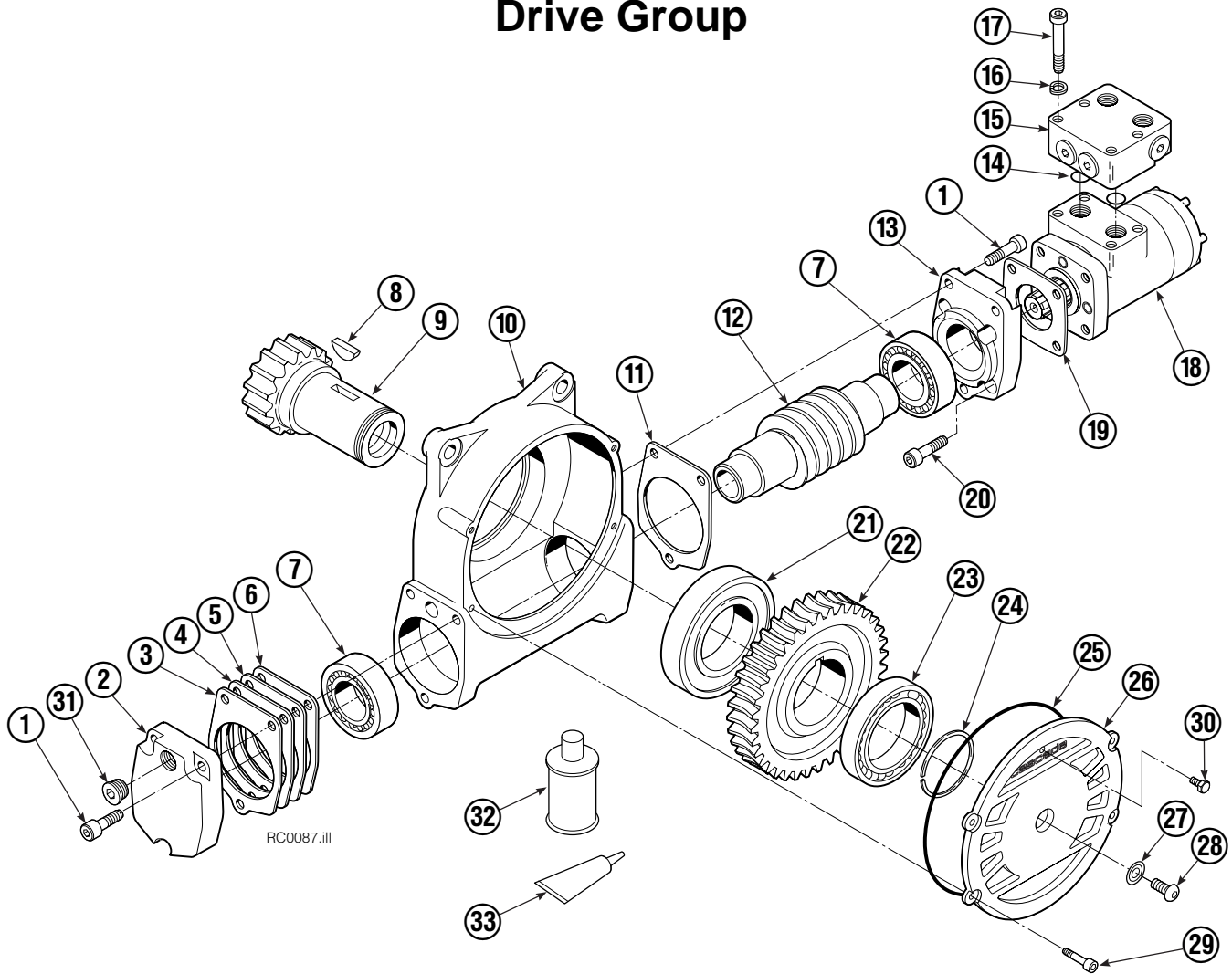


RR0013.ill

| 65D | | | |
|-----|-----|---------|-----------------------------|
| REF | QTY | PART NO | DESCRIPTION |
| | | 682040 | Base Unit Group |
| 1 | 5 | 631428 | Plug |
| 2 | 1 | 677224 | Faceplate |
| 3 | 1 | 672828 | Bearing Assembly |
| 4 | 1 | 681820 | Baseplate |
| 5 | 2 | 631385 | Plug |
| 6 | 1 | 675628 | Drive Group ● |
| 7 | 1 | 601377 | Fitting, 8-8 |
| 8 | 1 | 601250 | Fitting, 8-8 |
| 9 | 4 | 6290 | Lockwasher |
| 10 | 4 | 661742 | Capscrew, 1/2 NC x 1.25 GR5 |
| 11 | 7 | 643538 | Capscrew, 1/2 NC x 1.50 GR8 |
| 12 | 1 | 6605 | Plug |
| 13 | 16 | 4505 | Capscrew, 1/2 NC x 1.25 GR8 |
| 14 | 1 | 7401 | Grease Fitting |
| 15 | 9 | 643539 | Capscrew, 1/2 NC x 1.75 GR8 |
| 16 | 1 | 605761 | Fitting, 8-8 |
| | | 672481 | Bearing Service Kit |

● See Drive Group page for parts breakdown.

Drive Group



| REF | QTY | PART NO. | DESCRIPTION | REF | QTY | PART NO. | DESCRIPTION |
|-----|-----|----------|---------------------------|-----|-----|----------|--------------------------------------|
| | | 675628 | Drive Group with Motor | 19 | 1 | 670575 | Gasket |
| | ■ | 675631 | Drive Group without Motor | 20 | 4 | 4468 | Capscrew, 3/8 NC x .75 GR8 |
| 1 | 6 | 607061 | Capscrew | 21 | 1 | 670580 | Bearing |
| 2 | 1 | 676855 | Cover | 22 | 1 | 675609 | Worm Gear |
| 3 | ● | 674513 | Shim – .005 in. (blue) | 23 | 1 | 670581 | Bearing |
| 4 | ● | 670574 | Shim – .010 in. (brown) | 24 | 1 | 7214 | Snap Ring |
| 5 | ● | 671757 | Shim – .015 in. (pink) | 25 | 1 | 643423 | Gasket |
| 6 | ● | 671758 | Shim – .020 in. (yellow) | 26 | 1 | 670567 | Cover |
| 7 | 1 | 670579 | Bearing | 27 | 1 | 603680 | Seal |
| 8 | 1 | 670582 | Key | 28 | 1 | 783608 | Capscrew, M12 x 16 |
| 9 | 1 | 670506 | Pinion | 29 | 4 | 671535 | Capscrew |
| 10 | 1 | 670565 | Housing | 30 | 1 | 644010 | Relief Fitting |
| 11 | 1 | 686465 | Gasket | 31 | 1 | 604510 | Fitting, 6 |
| 12 | 1 | 675608 | Worm | 32 | 1 | 656300 | Gear Box Lube – 48 oz. |
| 13 | 1 | 670570 | Adapter | 33 | 1 | 668184 | Sealant |
| 14 | 2 | 2705 | O-Ring | | | 670578 | Shim Service Kit (items 3-6, 11, 33) |
| 15 | 1 | 670549 | Check Valve | | | 675637 | Shim Service Kit (items 21, 33) |
| 16 | 4 | 6444 | Lockwasher, 5/16 | | | 675638 | Shim Service Kit (items 3-7) |
| 17 | 4 | 607059 | Capscrew, 5/16 NC | | | 206394 | Motor Kit (items 11,14,18,19,20,33) |
| 18 | 1 | 206392 | Drive Motor ▲ | | | | |

- Includes all items except 15, 17 and 18.
- Quantity as required.
- ▲ See Drive Motor page for parts breakdown.

Reference: Common Parts Group 675627, SK-5032.

Drive Motor



| REF | QTY | PART NO. | DESCRIPTION |
|-----|-----|----------|----------------------------|
| | | 206392 | Drive Motor |
| 1 | 1 | 675478 | Shaft |
| 2 | 1 | 675477 | Drive |
| 3 | 1 | 675479 | Spacer Plate |
| ■ 4 | 1 | 675480 | Gerotor Set (101-1768-007) |
| ■ 4 | 1 | 685075 | Gerotor Set (101-1768-009) |
| 5 | 1 | 675482 | End Cap |
| ● 6 | 1 | 206405 | Service Kit |
| ■ 7 | 1 | 685089 | Flange (101-1768-007) |
| ■ 7 | 1 | 685090 | Flange (101-1768-009) |

Cascade provides service replacement parts for the listed parts only. Due to cost, if others parts need replacement, the complete drive motor should be replaced.

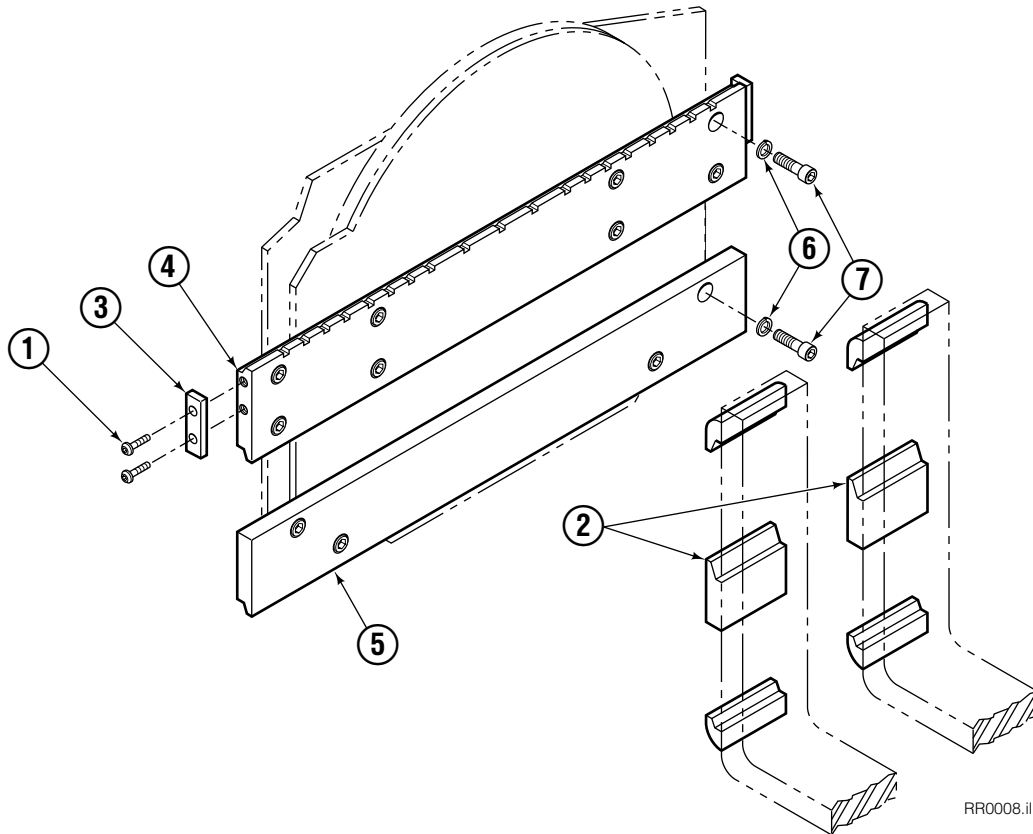
- See Nameplate under valve for correct part number of Gerotor Set and Flange.
- Compatible with water glycol based hydraulic fluids.

Check Valve



| REF | QTY | PART NO. | DESCRIPTION |
|-----|-----|----------|----------------------|
| | | 670549 | Check Valve Assembly |
| 1 | 2 | 609453 | Fitting, 10 |
| 2 | 2 | 670552 | Spring |
| 3 | 2 | 670551 | Guide |
| 4 | 2 | 7020 | Ball |
| 5 | 2 | 602580 | Fitting, 8 |
| 6 | 2 | 673989 | Spring |
| 7 | 1 | 670550 | Body |
| 8 | 1 | 670553 | Spool |

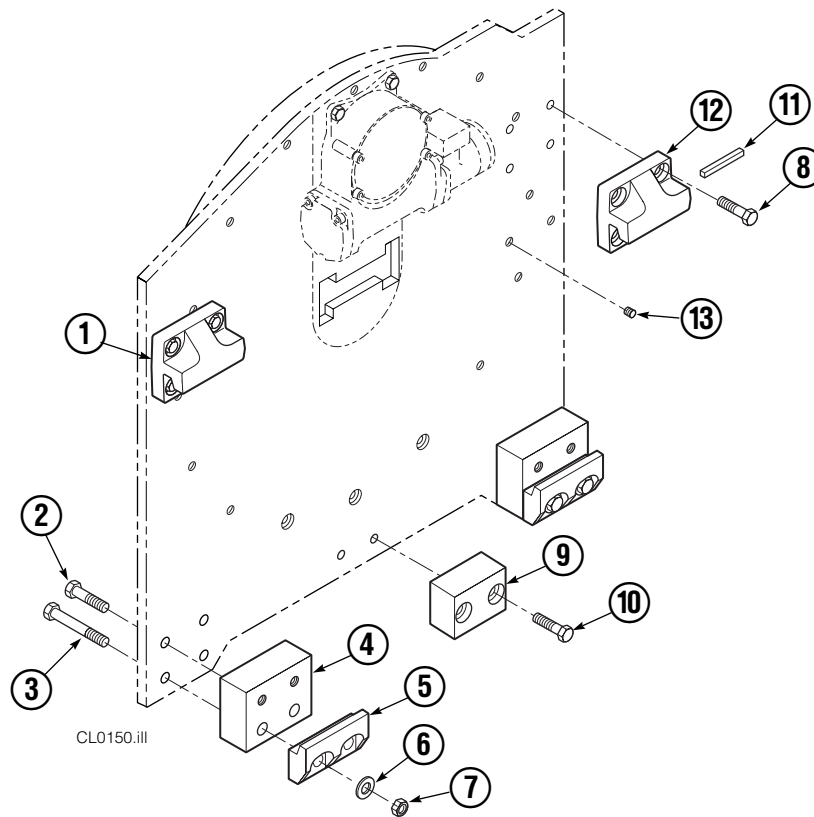
Fork Bar Group



RR0008.ill

| 65D | | | |
|-----|-----|----------|-----------------------------|
| REF | QTY | PART NO. | DESCRIPTION |
| | | 684653 | Fork Bar Group |
| 1 | 4 | 4880 | Capscrew, 1/2 NC x 1.0 GR8 |
| 2 | 4 | 689281 | Hook |
| 3 | 2 | 606988 | Keeper |
| 4 | 1 | 625525 | Upper Bar |
| 5 | 1 | 625526 | Lower Bar |
| 6 | 13 | 6448 | Lockwasher, 3/4 ID |
| 7 | 13 | 607103 | Capscrew, 3/4 NC x 1.50 GR8 |

Bolt-On Mounting Group



Class III, 0°

| REF | QTY | PART NO. | DESCRIPTION |
|-----|-----|----------|-------------------------|
| | | 680632 | Mounting Group |
| 1 | 1 | 670527 | Upper Hook – LH |
| 2 | 4 | 641284 | Capscrew, 5/8 NC x 2.25 |
| 3 | 4 | 669305 | Capscrew, 5/8 NC x 5.00 |
| 4 | 2 | 682068 | Spacer |
| 5 | 2 | 675969 | Lower Hook |
| 6 | 4 | 667225 | Washer |
| 7 | 4 | 676281 | Nut, 5/8 |
| 8 | 8 | 667369 | Capscrew, 5/8 NC x 1.25 |
| 9 | 1 | 682067 | Center Spacer |
| 10 | 2 | 677828 | Capscrew, 1/2 NC x 1.00 |
| 11 | 1 | 669344 | Stop Kit |
| 12 | 1 | 670528 | Upper Hook – RH |
| 13 | 2 | 631385 | Plug, 5/8 |

Do you have questions you need answered right now? Call your nearest Cascade Parts Department. Visit us online at www.cascorp.com

Cascade Corporation
2501 Sheridan Avenue
Springfield, OH 45505
Tel: 888-CASCADE (227-2233)
FAX: 888-329-0234

Cascade Canada Inc.
5570 Timberlea Blvd.
Mississauga, Ontario
Canada L4W-4M6
Tel: 905-629-7777
FAX: 905-629-7785

Cascade GmbH
D-41199 Monchengladbach
Klosterhofweg 52
Germany
Tel: 49-216-668230
FAX: 49-216-6682323

Cascade Finland
Albert Petreliuksenkatu 3
01370 Vantaa
Finland
Tel: 358-9-836-1925
FAX: 358-9-836-1935

**Cascade N.V.
European Headquarters**
P.O. Box 3009
1300 El Almere
Damluisweg 56
1332 ED Almere
The Netherlands
Tel: 31-36-5492911
FAX: 31-36-5492964

**Cascade N.V.
Benelux Sales and Service**
P.O. Box 3009
1300 El Almere
Damluisweg 56
1332 ED Almere
The Netherlands
Tel: 31-36-5492950
FAX: 31-36-5492974

Cascade (UK) Ltd.
15, Orgreave Crescent
Dore House Industrial Estate
Handsworth
Sheffield S13 9NQ
England
Tel: 742-697524
FAX: 742-695121

Cascade Scandinavia AB
Box 124
Hammarvägen 10
567 23 Vaggeryd
Sweden
Tel: 42-0-393-36950
FAX: 46-0-393-36959

Cascade Norway
Østerliveien 37A
1153 Oslo
Norway
Tel: 47-22-743160
FAX: 47-22-743157

Cascade France S.A.R.L.
1D Rue De Charaintru
BP 18, 91360 Epinay-Sur-Orge
Morangis Cedex, France
Tel: 33-1- 64547500
FAX: 33-1-64547501

Cascade Hispania S.A.
Carrer 5 Sector C
Zona Franca Duanera
Poligono de la Zon Franca
08040 Barcelona, Spain
Office No. 256
Tel: 93-264-07-30
FAX: 93-264-07-31

Cascade Japan Ltd.
5-5-41,
Torikai Kami
Settsu, Osaka
Japan, 566
Tel: 81-726-53-3490
FAX: 81-726-53-3497

Cascade Korea
108B, Namdong Ind Complex
658-3 Gojan-Dong
Namdong-Gu
Inchon, 405-310 Korea
Tel: 82-32-821-2051
FAX: 82-32-821-2055

Cascade Australia
1445 Ipswich Road
Rocklea, QLD 4106
Australia
Tel: 1-800227-223
FAX: (07) 3373-7333

Cascade New Zealand
15 Ra Ora Drive
East Tamaki, Auckland
New Zealand
Tel: 9-273-9136
FAX: 9-273-9137

Cascade (Africa) Pty. Ltd.
P.O. Box 625, Isando 1600
60A Steel Road
Sparton, Kempton Park
South Africa
Tel: 27-11-975-9240
FAX: 27-11-394-1147

Cascade-Xiamen
No. 668 Yangguang Rd.
Xinyang Industrial Zone
Haicang, Xiamen City
Fujian Province
P.R. China 361026
Tel: 86-592-651-2500
FAX: 86-592-651-2571

**Cascade (Singapore)
Trading Co.**
Four Seasons Park
Autumn Block - Apt. 1802
12 Cuscaden Walk
Singapore
Tel: 65-834-1935
FAX: 65-834-1936

