



# Parts Manual

---

Model 150D Rotator

Serial Number 150D-RRB-26CR0

---

**cascade**<sup>®</sup>  
**corporation**

**For Technical Assistance call:** 800-227-2233, Fax: 888-329-8207

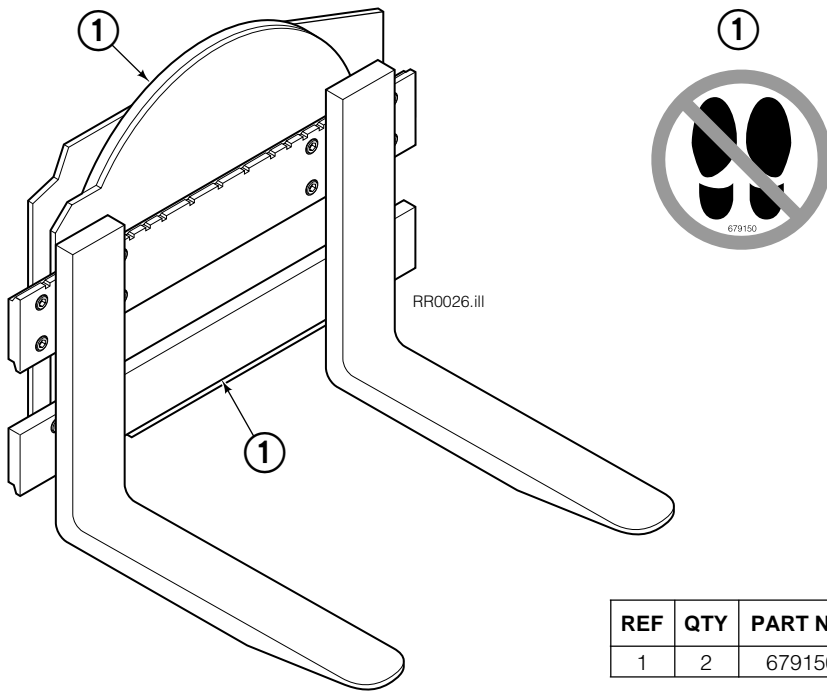
**To Order Parts call:** 888-227-2233, Fax: 888-329-0234

**OR**

**Write:** Cascade Corporation, P.O. Box 20187, Portland, OR 97220

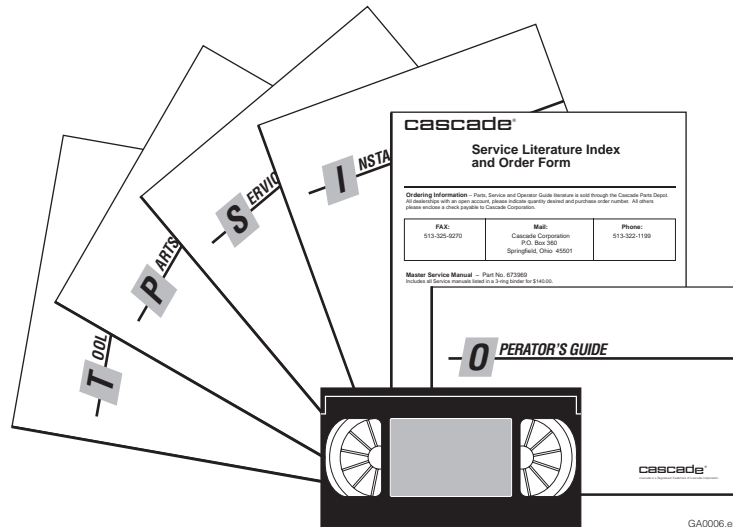
**Internet:** [www.cascorp.com](http://www.cascorp.com)

# Safety Decals



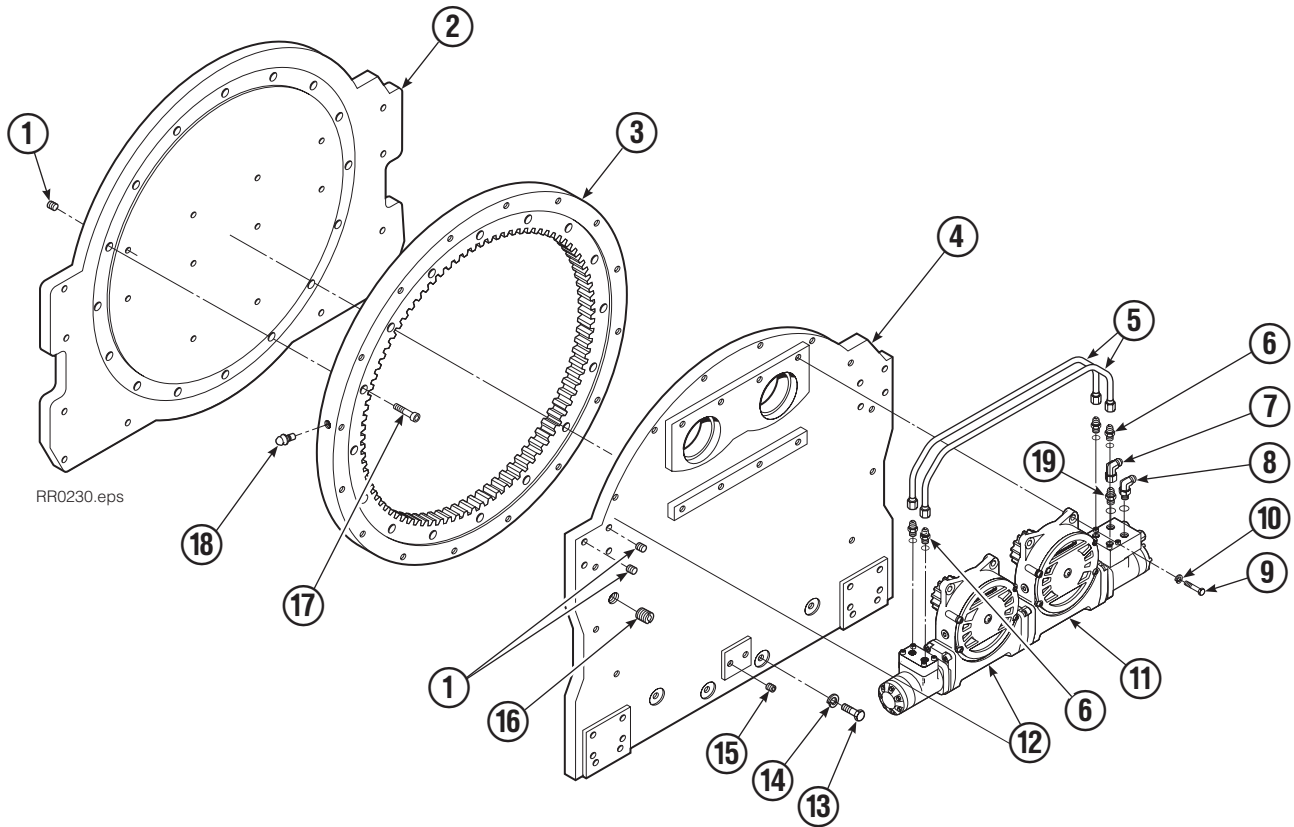
REF	QTY	PART NO.	DESCRIPTION
1	2	679150	No Step Decal

# Publications



PART NO.	DESCRIPTION
	Parts Manual
672946	Service Manual
672714	Operators Guide
672327	Installation Instructions
679929	Tool Catalog
673964	Literature Index Order Form

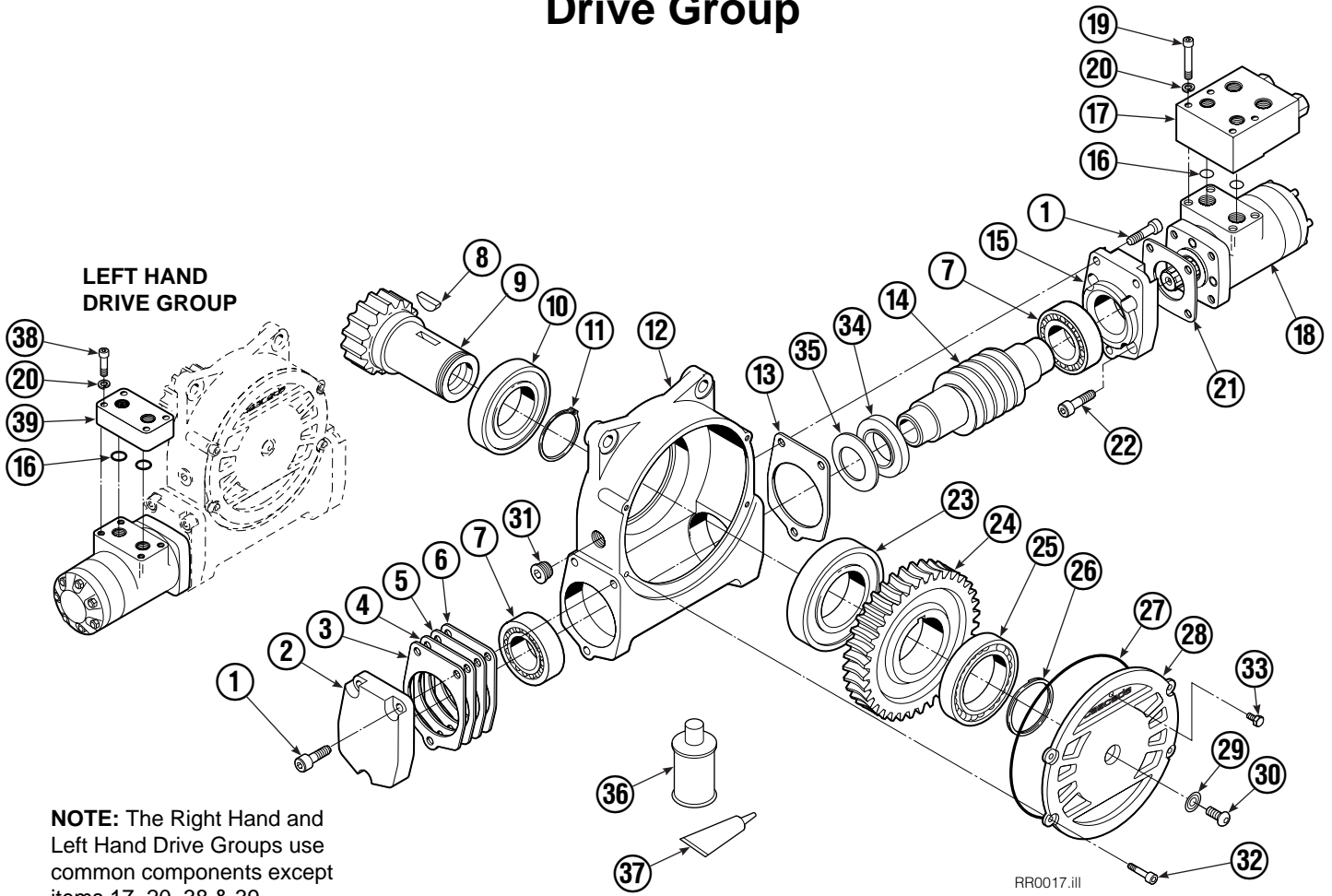
# Base Unit Group



150D			
REF	QTY	PART NO.	DESCRIPTION
		684607	Base Unit Group
1	18	631428	Plug
2	1	670773	Faceplate
3	1	670782	Bearing Assembly
4	1	684611	Baseplate
5	2	670786	Tube Assembly
6	4	662187	Fitting, 8-6
7	1	605761	Fitting, 8-8
8	1	601250	Fitting, 8-8
9	8	661742	Capscrew, 1/2 x 1.25
10	8	6290	Lockwasher
11	1	670558	Drive Group – RH ♦
12	1	670562	Drive Group – LH ♦
13	16	643574	Capscrew, 3/4 x 2.25
14	16	6294	Lockwasher
15	2	631427	Plug
16	1	6605	Plug
17	16	607105	Capscrew, 3/4 x 2.00
18	1	7401	Grease Fitting
19	1	601377	Fitting, 8-8
		672483	Bearing Service Kit

♦ See Drive Group page for parts breakdown.  
Reference: Common Parts Group 670781, SK-5382.

# Drive Group

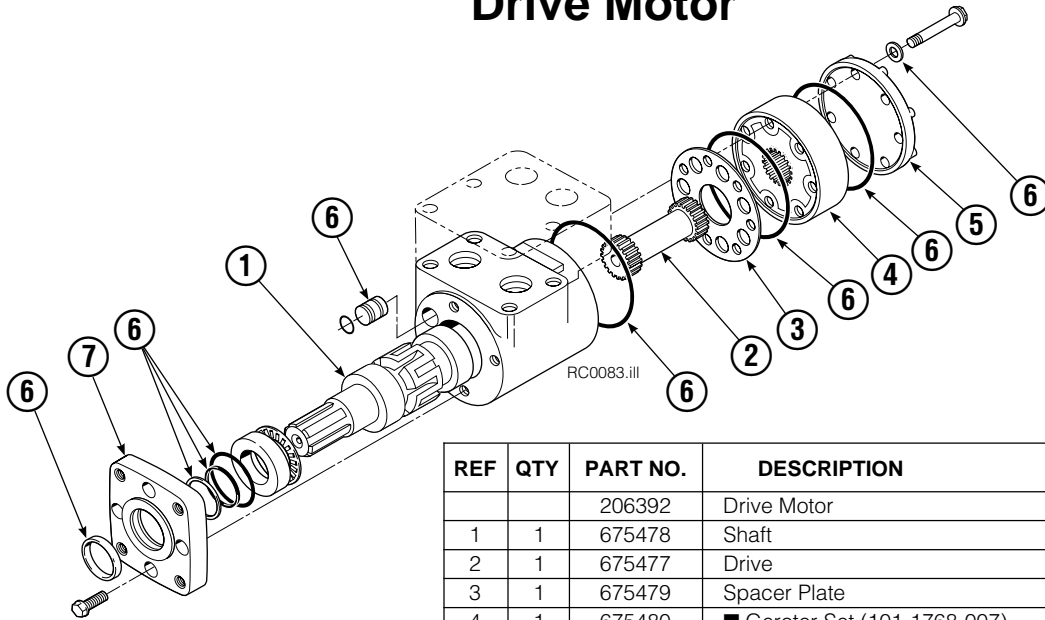


**NOTE:** The Right Hand and Left Hand Drive Groups use common components except items 17–20, 38 & 39.

REF	QTY	PART NO.	DESCRIPTION	REF	QTY	PART NO.	DESCRIPTION
		670558	Drive Group – R.H.	21	1	670575	Gasket
		670562	Drive Group – L.H.	22	4	4468	Capscrew, 3/8 NC x .75 GR8
	■	673896	Drive Box Service Kit – R.H.	23	1	670580	Bearing
	■	673867	Drive Box Service Kit – L.H.	24	1	676448	Worm Gear
1	6	607071	Capscrew, 7/16 NC x 1.0 GR8	25	1	670581	Bearing
2	1	676855	Cover	26	1	7214	Snap Ring
3	●	674513	Shim – .005" (blue)	27	1	643423	O-Ring
4	●	670574	Shim – .010" (brown)	28	1	670567	Cover
5	●	671757	Shim – .015" (pink)	29	1	603680	Seal
6	●	671758	Shim – .020" (yellow)	30	1	4874	Capscrew, 3/8 NC x .50 GR8
7	2	670579	Bearing	31	1	6609	Plug
8	1	670582	Key	32	4	671535	Capscrew, 5/16 NC x .75
9	1	670559	Pinion	33	1	644010	Relief Fitting
10	1	670560	Bearing	34	1	672448	Washer
11	1	3160	Snap Ring	35	1	672449	Washer Spring
12	1	670565	Housing	36	1	656300	Gear Box Lube - 48 oz.
13	1	686465	Gasket	37	1	668184	Sealant
14	1	676447	Worm	38	4	607054	Capscrew, 5/16 NC x .75 GR8
15	1	670570	Adapter	39	1	670563	Manifold – L.H. Drive only
16	2	2705	Seal			670578	Shim Service Kit (items 4,5,6 & 37)
17	1	670561	Check Valve – R.H. only ♦			671583	Bearing Service Kit (items 23 & 37)
18	1	206392	Drive Motor ♦			671584	Bearing Service Kit (items 4–7)
19	4	607060	Capscrew, 5/16 NC x 2.00 GR8			676449	Service Kit, (items 4–6,14,24, & 37)
20	4	6444	Lockwasher			206394	Drive Motor Kit (items 4,16,18,21 & 37)

- Includes all items except 17–20, 38 & 39.
- Quantity as required.
- ♦ See Drive Motor page for parts breakdown.

# Drive Motor

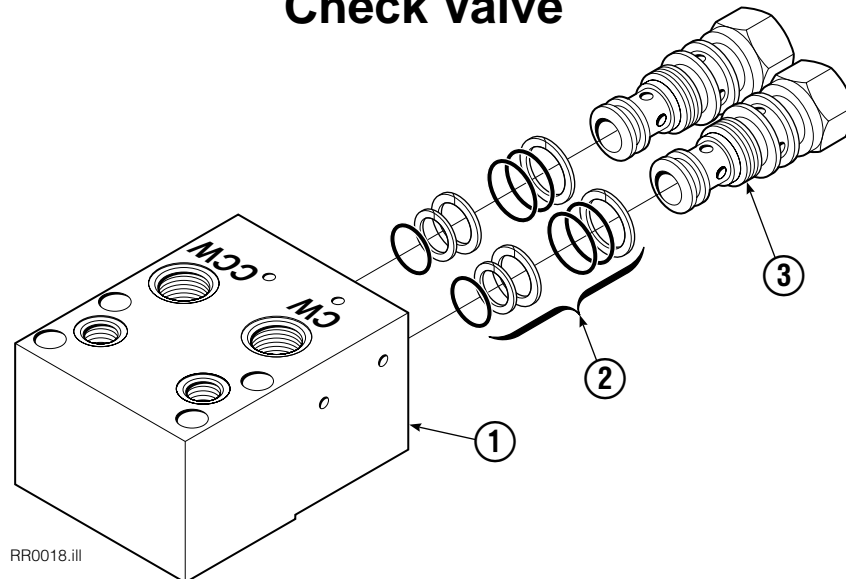


REF	QTY	PART NO.	DESCRIPTION
		206392	Drive Motor
1	1	675478	Shaft
2	1	675477	Drive
3	1	675479	Spacer Plate
4	1	675480	■ Gerotor Set (101-1768-007)
4	1	685075	■ Gerotor Set (101-1768-009)
5	1	675482	End Cap
6	1	206405	● Service Kit
7	1	685089	■ Flange (101-1768-007)
7	1	685090	■ Flange (101-1768-009)

Cascade provides service replacement parts for the listed parts only. Due to cost, if others parts need replacement, the complete drive motor should be replaced.

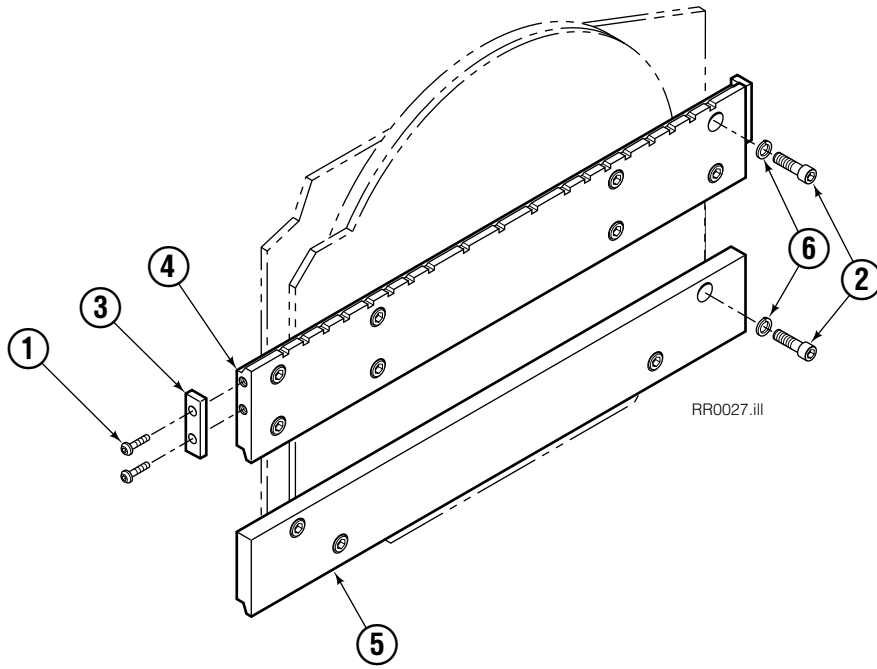
- See Nameplate under valve for correct part number of Gerotor Set and Flange.
- Compatible with water glycol based hydraulic fluids.

# Check Valve



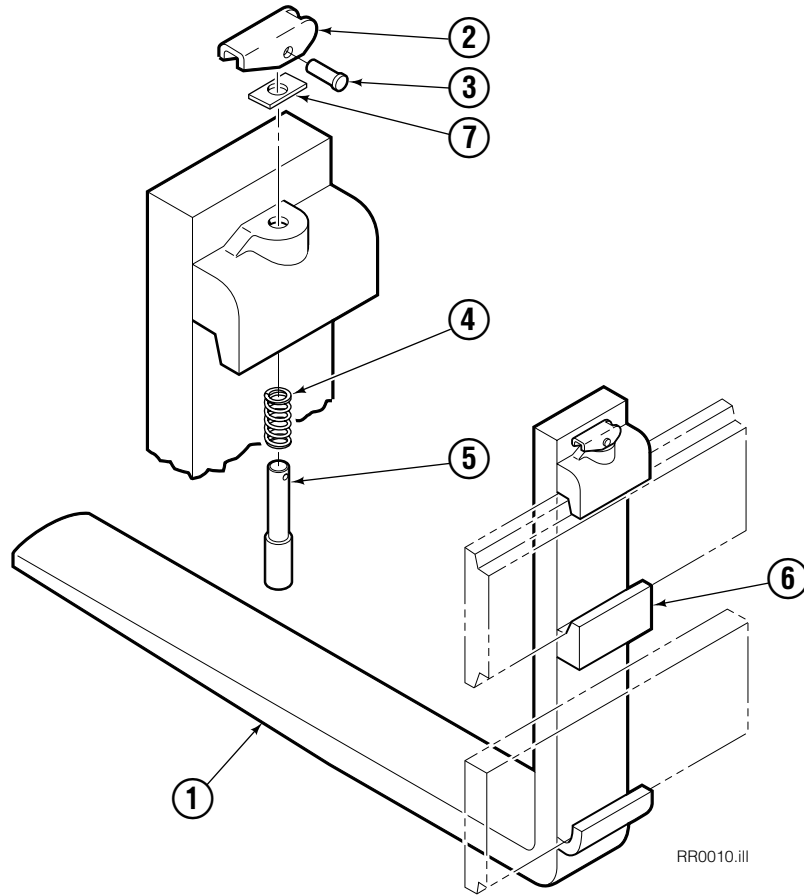
REF	QTY	PART NO.	DESCRIPTION
		670561	Check Valve Assembly
1	1	670583	Body
2	2	656223	Seal Kit
3	2	665097	Check Valve

# Fork Bar Group



150D			
REF	QTY	PART NO.	DESCRIPTION
		206784	Fork Bar Group
1	4	4880	Capscrew
2	24	681249	Capscrew
3	2	622148	Keeper
4	1	681243	Upper Bar
5	1	681246	Lower Bar
6	4	6290	Lockwasher

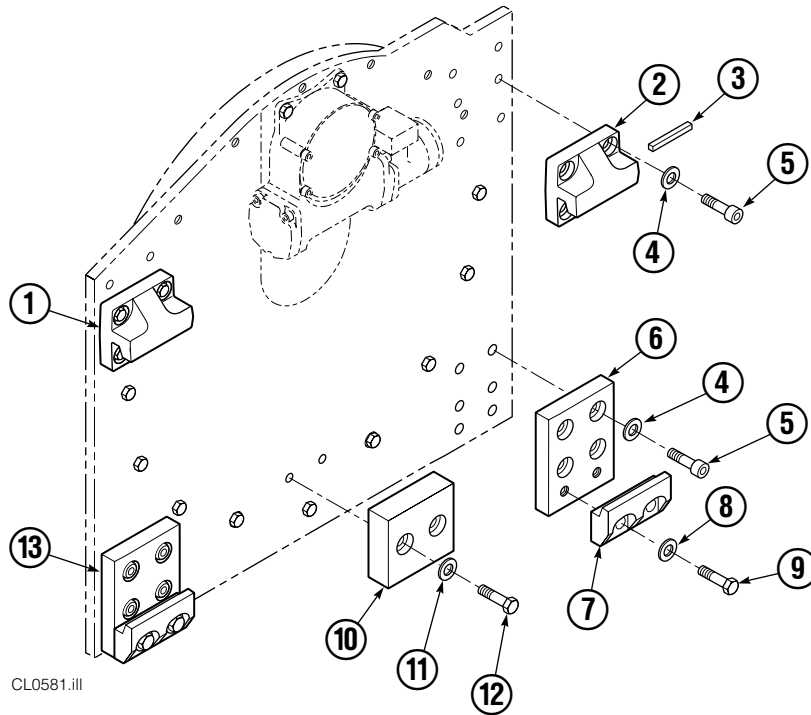
# Adjustable Forks



RR0010.iii

150D			
REF	QTY	PART NO.	DESCRIPTION
		681145	Fork Assembly
1	1	681142	Fork
2	1	622897	Handle
3	1	8007	Rivet
4	1	633668	Spring
5	1	633670	Pin
6	1	633671	Hook
7	1	633669	Washer

# Bolt-On Mounting Group



Class IV, 0°			
REF	QTY	PART NO.	DESCRIPTION
		682384	Mounting Group
1	1	670690	Upper Hook – LH
2	1	670691	Upper Hook – RH
3	1	670704	Stop Kit
4	14	6448	Lockwasher, 3/4 in. ID
5	14	607104	Capscrew, 3/4 NC x 1.75
6	1	682665	Adapter Plate – RH
7	2	679832	Lower Hook
8	4	670692	Washer, 3/4 in. ID
9	4	670693	Capscrew, 3/4 NC x 1.75
10	1	670695	Bumper
11	2	6290	Lockwasher, 1/2 in
12	2	3657	Capscrew, 1/2 x 2.00 in.
13	1	682664	Adapter Plate – LH



**Do you have questions you need answered right now?** Call your nearest Cascade Parts Department. Visit us online at [www.cascorp.com](http://www.cascorp.com)

**Cascade Corporation**  
2501 Sheridan Avenue  
Springfield, OH 45505  
Tel: 888-CASCADE (227-2233)  
FAX: 888-329-0234

**Cascade Canada Inc.**  
5570 Timberlea Blvd.  
Mississauga, Ontario  
Canada L4W-4M6  
Tel: 905-629-7777  
FAX: 905-629-7785

**Cascade GmbH**  
Dahlener Strasse 570  
41239 Mönchengladbach  
Germany  
Tel: 02166-68230  
FAX: 02166-682323

**Cascade Finland**  
A. Petreliuksenkatu 3  
01370 Vantaa  
Finland  
Tel: 09-8361925  
FAX: 09-8361935

**Cascade N.V.  
Benelux Sales and Service**  
Damsluisweg 56  
PO Box 3009  
1300 El Almere  
The Netherlands  
Tel: 036-5492950  
FAX: 036-5492974

**Cascade (UK) Ltd.**  
Unit 4, 12 O'Clock Court  
Attercliffe Road  
Sheffield, S4 7WW  
England  
Tel: 0870-850-8756  
FAX: 0870-850-8757

**Sales Scotland  
Macade Systems Ltd.**  
18 Melford Road  
Righead Ind. Estate  
Bellshill ML4 3LR  
Scotland  
Tel: 01698-845777  
FAX: 01698-845888

**Cascade (Africa) Pty. Ltd.**  
PO Box 625, Isando 1600  
60A Steel Road  
Sparton, Kempton Park  
South Africa  
Tel: 27-11-975-9240  
FAX: 27-11-394-1147

**Cascade Scandinavia AB**  
Hammarvägen 10  
PO Box 124  
S-56723 Vaggeryd  
Sweden  
Tel: 039-336950  
FAX: 039-336959

**Cascade France  
S.A.R.L. MHP**  
1D Rue De Charaintru BP 18,  
91360 Epinay-Sur-Orge  
France  
Tel: 01-6454-7500  
FAX: 01-6454-7501

**Cascade Hispania S.A.**  
Carrer 5, Sector C  
Zona Franca Duanera  
Poligono de la Zona Franca  
08040 Barcelona, Spain  
Tel: 93-264-07-30  
FAX: 93-264-07-31

**Cascade Roncari S.R.L.**  
Via Dell'Artigianato 1  
37050 Vago di Lavagno (VR)  
Italy  
Tel: 39-045-8989111  
FAX: 39-0458989160

**Sales Portugal FAG  
Santos Lda**  
Rua do Mercado  
Lte 6, Loja 2-Tires 2785-630  
S. Domingos De Rana  
Portugal  
Tel: 214-448-083  
FAX: 214-458-098

**Sales Switzerland  
Fahrzeugbedarf**  
8810, Horgen  
Switzerland  
Tel: 01-7279797  
FAX: 01-7279798

**Sales Poland**  
Targowa 35/61  
03-728 Warszawa  
Tel: 022-619 00 49  
FAX: 022-619 00 49  
Mobile Phone: 0501-27 29 55

**Sales Russia**  
EMCG Material Handling  
Equipment  
Moscow  
Tel: 095-795-2400  
FAX: 095-795-2475  
Email: [emcg@sovintel.ru](mailto:emcg@sovintel.ru)

**Cascade Japan Ltd.**  
5-5-41,  
Torikai Kami  
Settsu, Osaka  
Japan, 566  
Tel: 81-726-53-3490  
FAX: 81-726-53-3497

**Cascade Korea**  
121B 9L Namdong Ind.  
Complex, 691-8 Gojan-Dong  
Namdong-Ku  
Inchon, 405-310 Korea  
Tel: 82-32-821-2051  
FAX: 82-32-821-2055

**Cascade Australia**  
1445 Ipswich Road  
Rocklea, QLD 4107  
Australia  
Tel: 1-800-227-223  
FAX: 617-3373-7333

**Cascade New Zealand**  
15 Ra Ora Drive  
East Tamaki, Auckland  
New Zealand  
Tel: 64-9-273-9136  
FAX: 64-9-273-9137

**Cascade-Xiamen**  
No. 668 Yangguang Rd.  
Xinyang Industrial Zone  
Haicang, Xiamen City  
Fujian Province  
P.R. China 361026  
Tel: 86-592-651-2500  
FAX: 86-592-651-2571

**Sunstream Industries  
Pte Ltd.**  
No. 3 Tuas Link 1  
2263  
Singapore  
Tel: 65-6863-3488  
FAX: 65-6863-1368

