



Parts Manual

Model 60D Carton Clamp

Serial Number 60D-CCS-108

cascade[®]

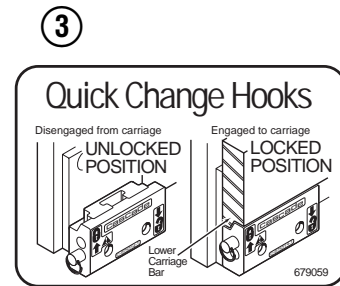
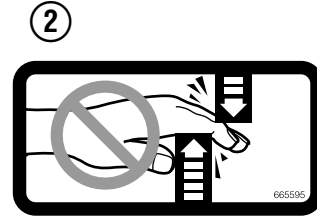
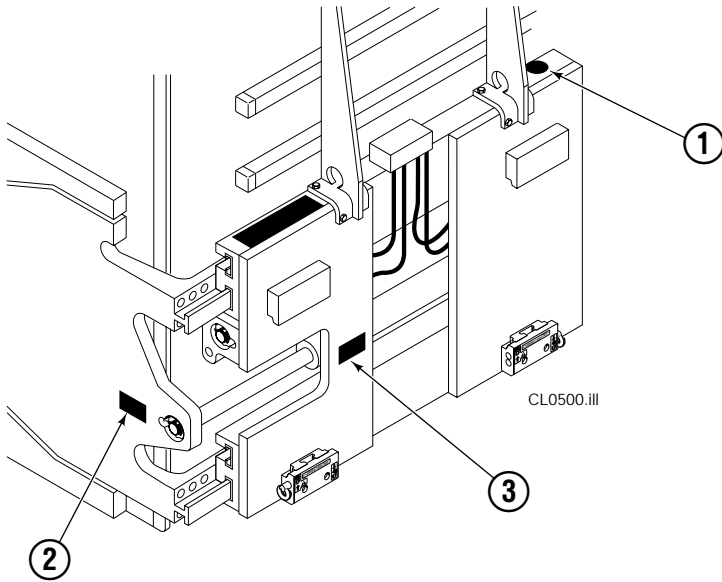
For Technical Assistance and to Order Parts . . .

Call: 1-800-CASCADE or 503-669-6300

OR

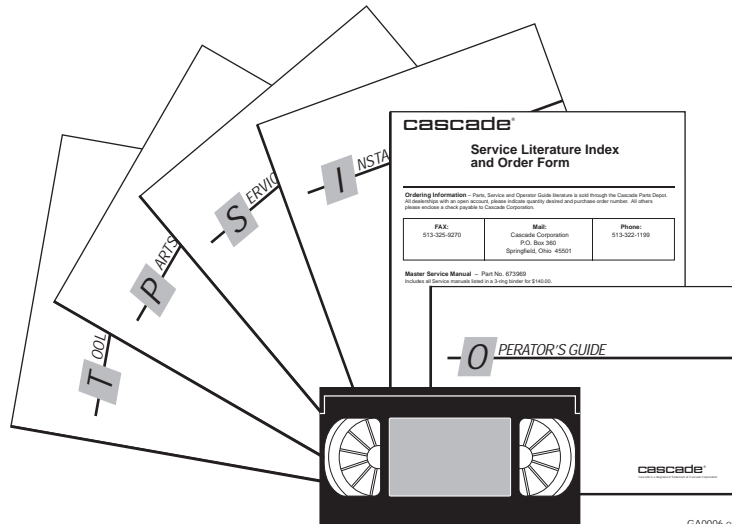
Write: Cascade Corporation, P.O. Box 20187, Portland, OR 97220

Safety Decals



REF	QTY	PART NO.	DESCRIPTION
1	1	679150	No Step Decal
2	2	665595	No Hand Hold Decal
3	1	679059	Quick Change Hook Decal

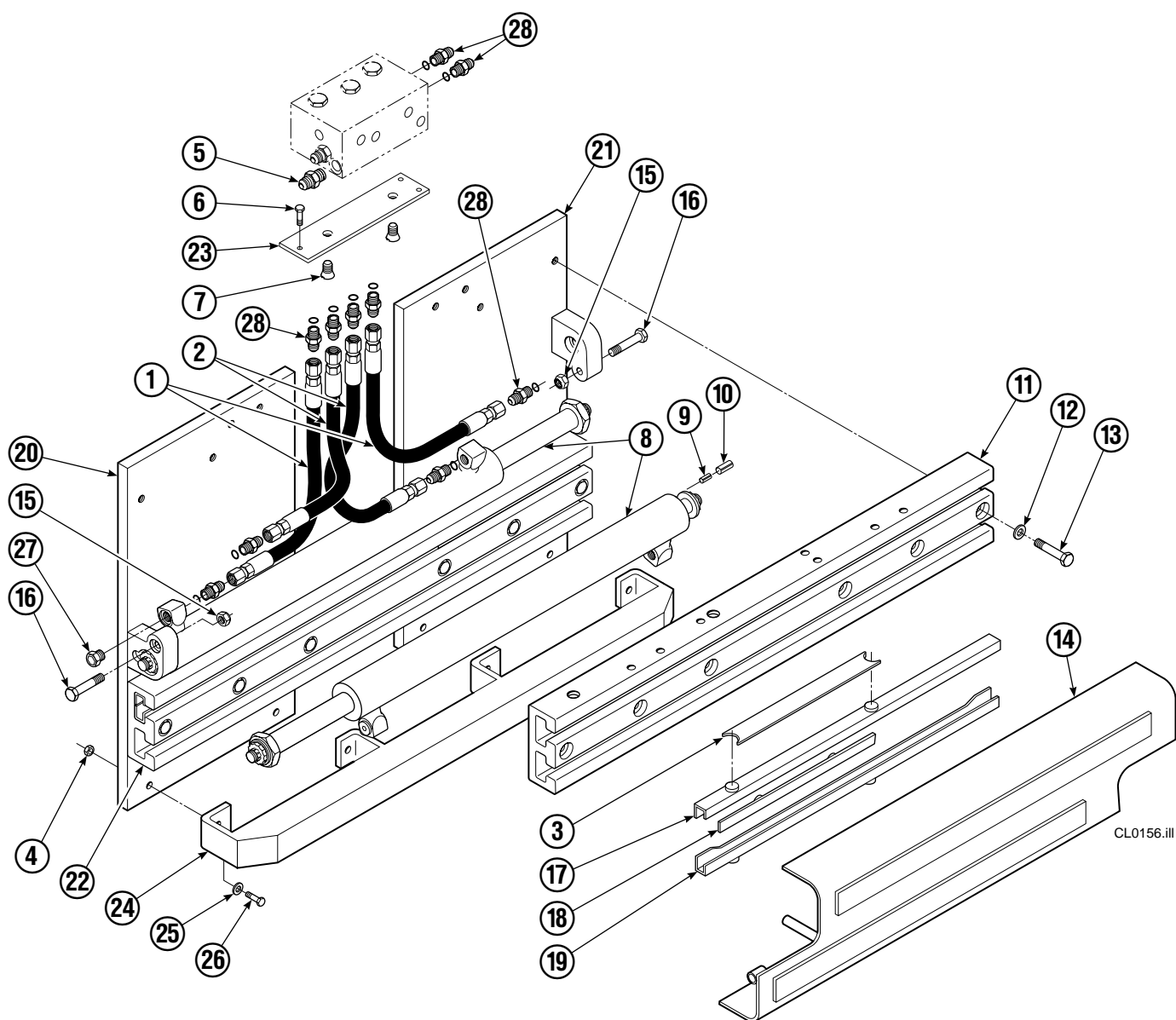
Publications



GA0006.eps

PART NO.	DESCRIPTION
670487	Service Manual
670834	Operators Guide
670488	Installation Instructions
680664	Servicing Cascade Cylinders-VHS
679929	Tool Catalog
673964	Literature Index Order Form

Base Unit Group



CL0156.III

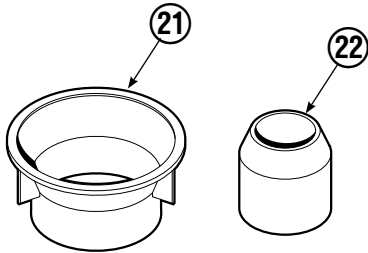
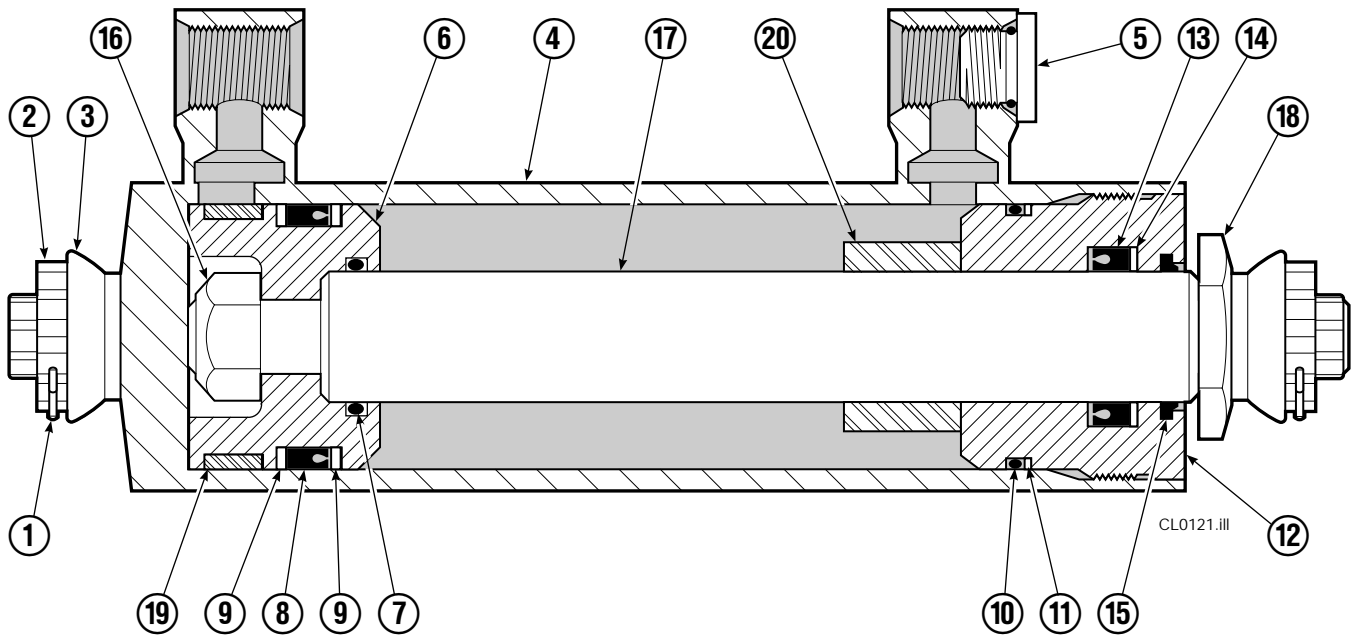
60D							
REF	QTY	PART NO.	DESCRIPTION	REF	QTY	PART NO.	DESCRIPTION
1	2	207425	Hose, 24.00 in.	15	2	665707	Nut, 1/2 in. ID
2	2	688696	Hose, 19.10 in.	16	2	633523	Capscrew, 1/2 NC x 2.50
3	1	675326	Shim Kit ●	17	4	667662	Bearing
4	4	665707	Nut	18	4	667663	Bearing
5	1	601377	Fitting, 8-8	19	4	667661	Bearing
6	2	671222	Capscrew, 3/8 NC x .75	20	1	678939	Mounting Plate - RH
7	2	4750	Capscrew, 3/8 NC x .75	21	1	678938	Mounting Plate - LH
8	2	670289	Cylinder ▲	22	1	674167	Frame - Lower
9	2	7861	Roll Pin - Inner	23	1	669957	Plate
10	2	7962	Roll Pin - Outer	24	1	670078	Lower Bumper
11	1	667659	Frame - Upper	25	4	6205	Washer, 1/2 in. ID
12	8	667225	Washer	26	4	640013	Capscrew, 1/2 NC x 1.75
13	8	667644	Capscrew	27	2	602580	Fitting, 8
14	1	670084	Bumper	28	10	611288	Fitting, 6-8

● Includes two .015 Shims and eight .020 Shims.

▲ See Cylinder page for parts breakdown.

Reference: S-3198, Basic Group 337352.

Cylinder



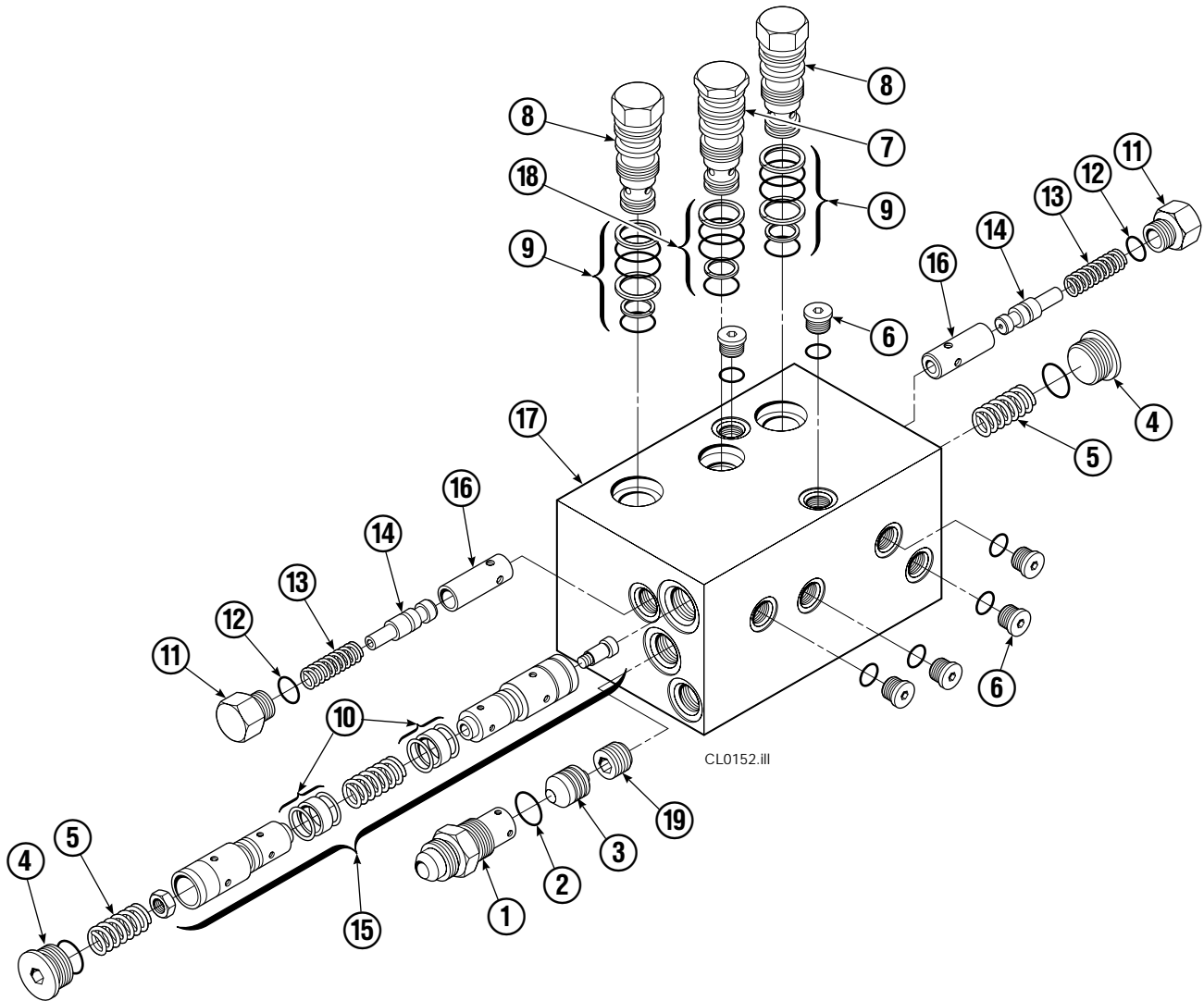
60D			
REF	QTY	PART NO.	DESCRIPTION
		670289	Cylinder Assembly
1	2	6511	Cotter Pin ■
2	2	667667	Nut Retainer ■
3	2	671424	Nut ■
4	1	553761	Shell
5	1	602580	Fitting
6	1	670894	Piston
7	1	2722	O-Ring ▲
8	1	557479	Seal ▲
9	2	637565	Nylon Ring ▲
10	1	2793	O-Ring ▲
11	1	615136	Back-Up Ring ▲
12	1	670895	Retainer
13	1	662451	Seal ▲
14	1	638246	Nylon Ring ▲
15	1	628047	Wiper ▲
16	1	561012	Nut
17	1	667670	Rod
18	1	667676	Washer
19	1	660765	Bearing
20	1	—	Spacer
21	1	671050	Seal Loader, Piston ▲
22	1	671052	Seal Loader, Retainer ▲
		670922	Service Kit

▲ Included in Service Kit 670922.

■ Included in Nut Service Kit 671425.

Reference: S-7662.

Check Valve



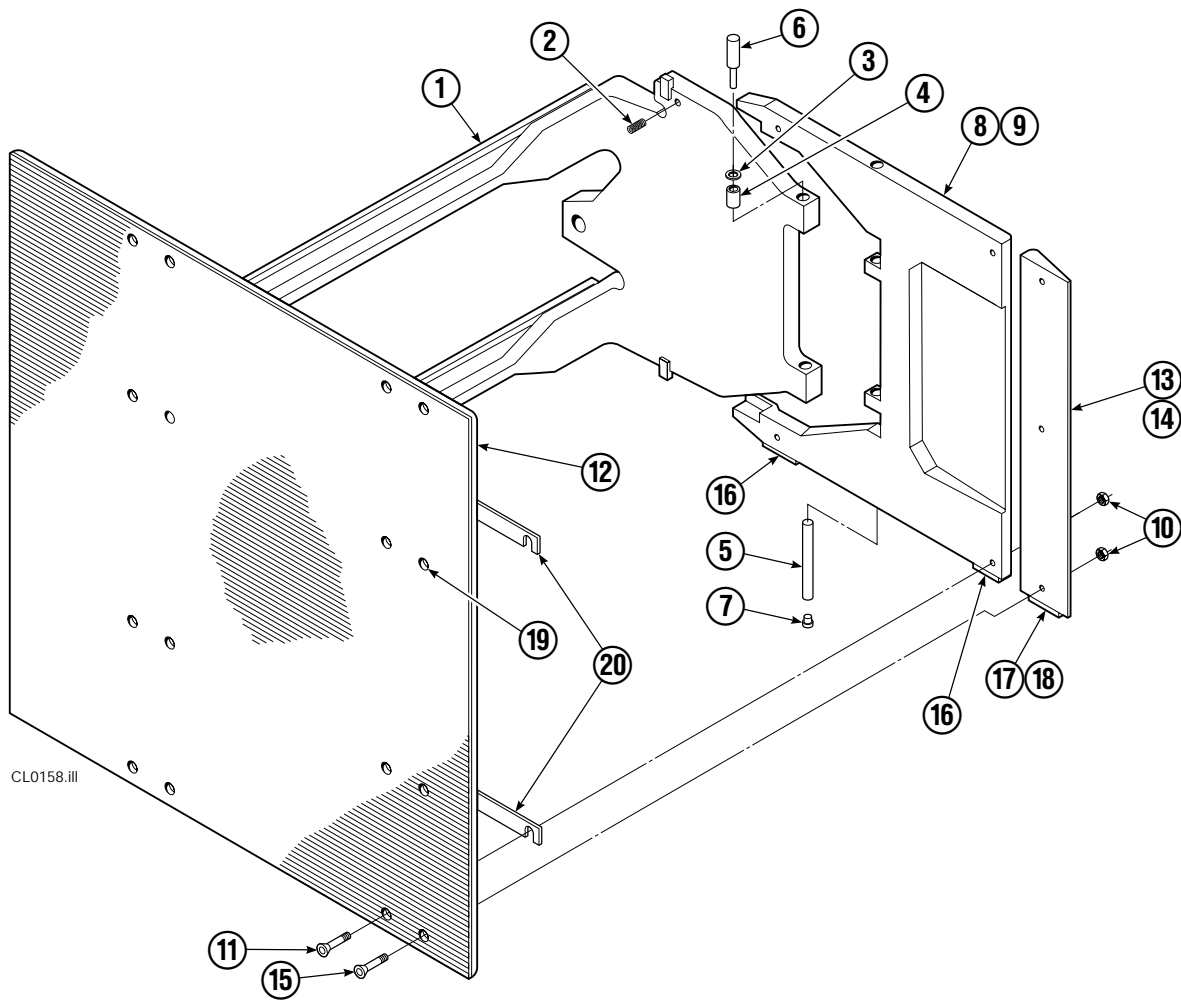
REF	QTY	PART NO.	DESCRIPTION	REF	QTY	PART NO.	DESCRIPTION
		669762	Check Valve – Flow Divider	11	2	667494	Fitting
1	1	667490	Special Fitting	12	2	2840	O-Ring ●
2	1	2841	O-Ring ●	13	2	673098	Spring
3	1	667471	Spool	14	2	667492	Poppet
4	2	609453	Fitting, 10	15	1	673089	Spool Assembly
5	2	667487	Spring	16	2	667491	Sleeve
6	6	604510	Fitting, 6	17	1	669763	Valve Body
7	1	678270	Check Valve – VPO	18	1	661347	Service Kit ●
8	2	659058	Check Valve – PO	19	1	676343	Regeneration Elimination Plug ■
9	2	667516	Service Kit ●			667513	Service Kit
10	1	679846	Low Flow Spool Kit				

● Included in Service Kit 667513.

■ For eliminating regeneration circuit only. See Tech. Bulletin 121.

Reference: SK-5302.

Contact Pad and Arm



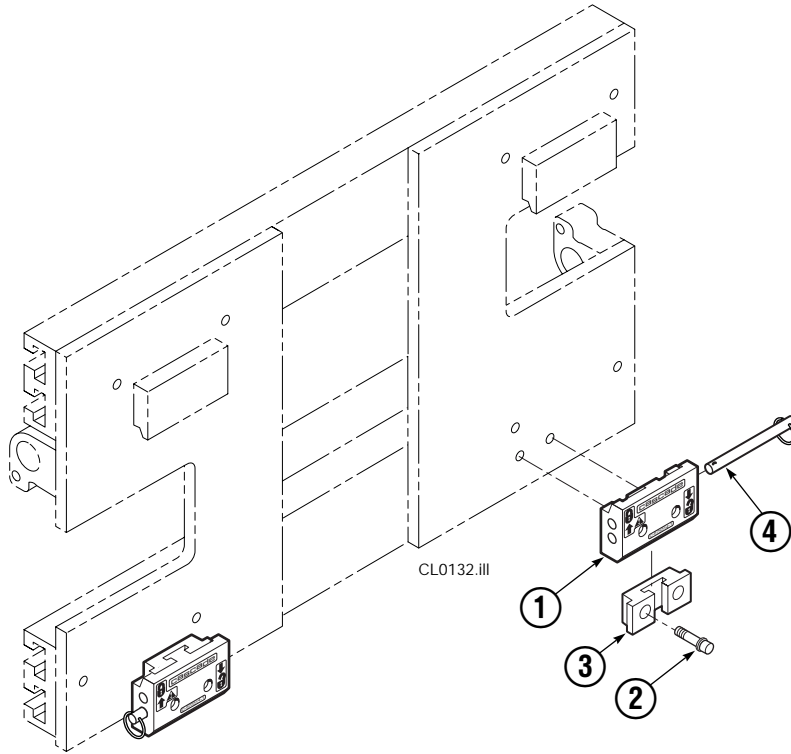
60D			
REF	QTY	PART NO.	DESCRIPTION
1	2	320990	Arm
2	2	661212	Spring
3	■	629312	Washer
4	4	677208	Bushing
5	4	677206	Pin
6	1	675626	Bushing Driver Tool
7	4	602579	Plug
8	1	337353	Stabilizer - R.H.
9	1	337354	Stabilizer - L.H.
10	14	550218	Nut
11	6	4674	Capscrew, .5 NF
12	2	3016173	Contact Pad
13	1	677146	Tip - L.H.
14	1	677145	Tip - R.H.
15	6	4672	Capscrew
16	1	675614	Stabilizer Wear Tile
17	1	678665	Tip Wear Tile - L.H.
18	1	678666	Tip Wear Tile - R.H.
19	▲	676841	Contact Pad Repair Kit
20	■	677095	Shim

■ As required for proper adjustment.

▲ Repairs one hole.

Reference: S-3198, Base Unit 337352.

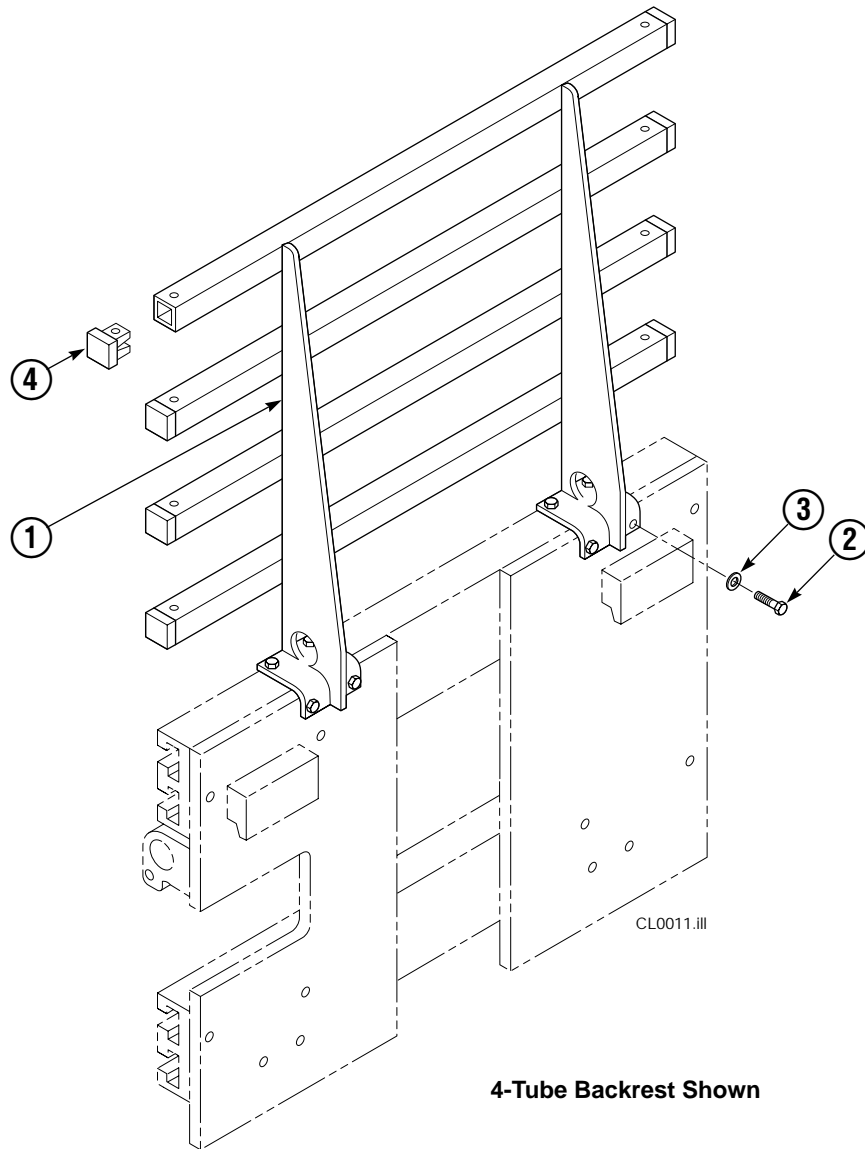
Quick Change Mounting Group



Class III			
REF	QTY	PART NO.	DESCRIPTION
		678834	Lower Hook Group
1	2	675957	Hook
2	4	678943	Capscrew, 5/8 NC x 1.50
3	2	675958	Guide
4	2	678832	Pin

Reference: S-3197.

Backrest Group



REF	QTY	PART NO.	DESCRIPTION
		670070	Backrest Group
1	1	670069	Backrest
2	8	677828	Capscrew, 1/2 NC x 1.25
3	8	667910	Washer, 1/2 in. ID
4	▲	674356	Tube End

▲ As required.

Do you have questions you need answered right now? Call your nearest Cascade Parts Department.

Cascade Corporation
2501 Sheridan Avenue
Springfield, OH 45505
Tel: 888-CASCADE (227-2233)
FAX: 888-329-0234

Cascade Canada Inc.
5570 Timberlea Blvd.
Mississauga, Ontario
Canada L4W-4M6
Tel: 905-629-7777
FAX: 905-629-7785

Cascade GmbH
D-41199 Monchengladbach
Klosterhofweg 52
Germany
Tel: 21-66-602091
FAX: 21-66-680947

Cascade Finland
01370 Vantas
Finland
Tel: 358-0-836-1925
FAX: 358-0-836-1935

**Cascade N.V.
European Headquarters**
P.O. Box 3009
1300 El Almere
Damsluisweg 56
1332 ED Almere
The Netherlands
Tel: 31-36-5492911
FAX: 31-36-5492964

**Cascade N.V.
Benelux Sales and Service**
P.O. Box 3009
1300 El Almere
Damsluisweg 56
1332 ED Almere
The Netherlands
Tel: 31-36-5492950
FAX: 31-36-5492974

Cascade (UK) Ltd.
15, Orgreave Crescent
Dore House Industrial Estate
Handsworth
Sheffield S13 9NQ
England
Tel: 742-697524
FAX: 742-695121

**Cascade Scandinavia
Hydraulik A.B.**
Muskötgatan 19, E8-9
S25466 Helsingborg
Sweden
Tel: 42-151135
FAX: 42-152997

Cascade Norway
Østerliveien 37A
1153 Oslo
Norway
Tel: 47-22-743160
FAX: 47-22-743157

Cascade France S.A.R.L.
11, Rue Jean Charcot
Zone Industrielle Sud or
B.P. 22
91421 Morangis Cedex
France
Tel: 1- 64547501
FAX: 1-9790584

Cascade Hispania S.A.
Avenida De La Fabregada, 7
Hospitalet De Llobregat
Barcelona
Spain
Tel: 3-335-5158
FAX: 3-335-4756

Cascade Japan Ltd.
5-5-41,
Torikai Kami
Settsu, Osaka
Japan, 566
Tel: 81-726-53-3490
FAX: 81-726-53-3497

Cascade Korea
Room 508, Pum Yang Bldg.
750-14, Bang Bac-Dong
Se-Cho Ku, Seoul
Korea
Tel: 2599-7131 ext. 512
FAX: 2533-8089

HYCO-Cascade Pty. Ltd.
1445 Ipswich Road
Rocklea,
Queensland 4107
Australia
Tel: 3-274-2722
FAX: 3-274-3456

HYCO-Cascade (NZ) Ltd.
15 Ra Ora Drive, East Tamaki
P.O. Box 38-440
Howick, Auckland
New Zealand
Tel: 9-273-9136
FAX: 9-273-9137

Cascade (Africa) Pty. Ltd.
P.O. Box 625, Isando 1600
60A Steel Road
Sparton, Kempton Park
South Africa
Tel: 975-9240
FAX: 394-1147

Cascade-Xiamen
Wanshan No. 1 Workshop
Huli Road
Xiamen 361006
Fujian, PRC
Tel: 592-562-4600
FAX: 592-562-4671

**Cascade (Singapore)
Trading Co.**
Four Seasons Park
Autumn Block - Apt. 1802
12 Cascaden Walk
Singapore
Tel: 65-834-1935
FAX: 65-834-1936

