



Parts Manual

Model QFM Push/Pull

Serial Number 45E-QPB-Q002 R3

cascade[®]
corporation

For Technical Assistance call: 800-227-2233, Fax: 888-329-8207

To Order Parts call: 888-227-2233, Fax: 888-329-0234

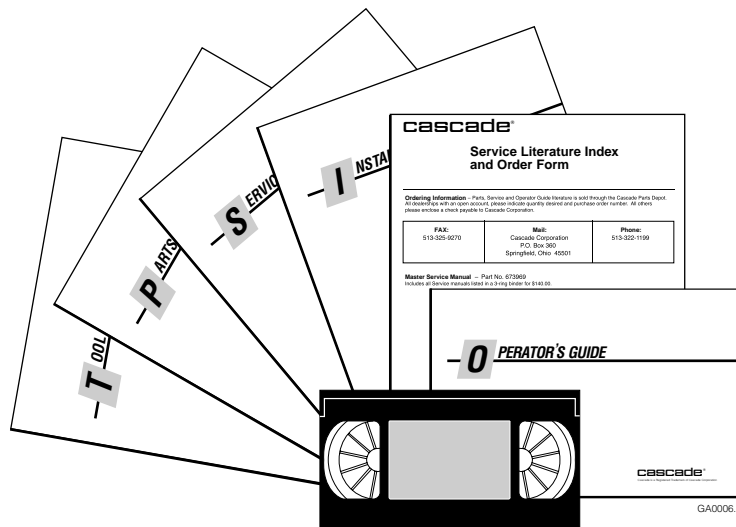
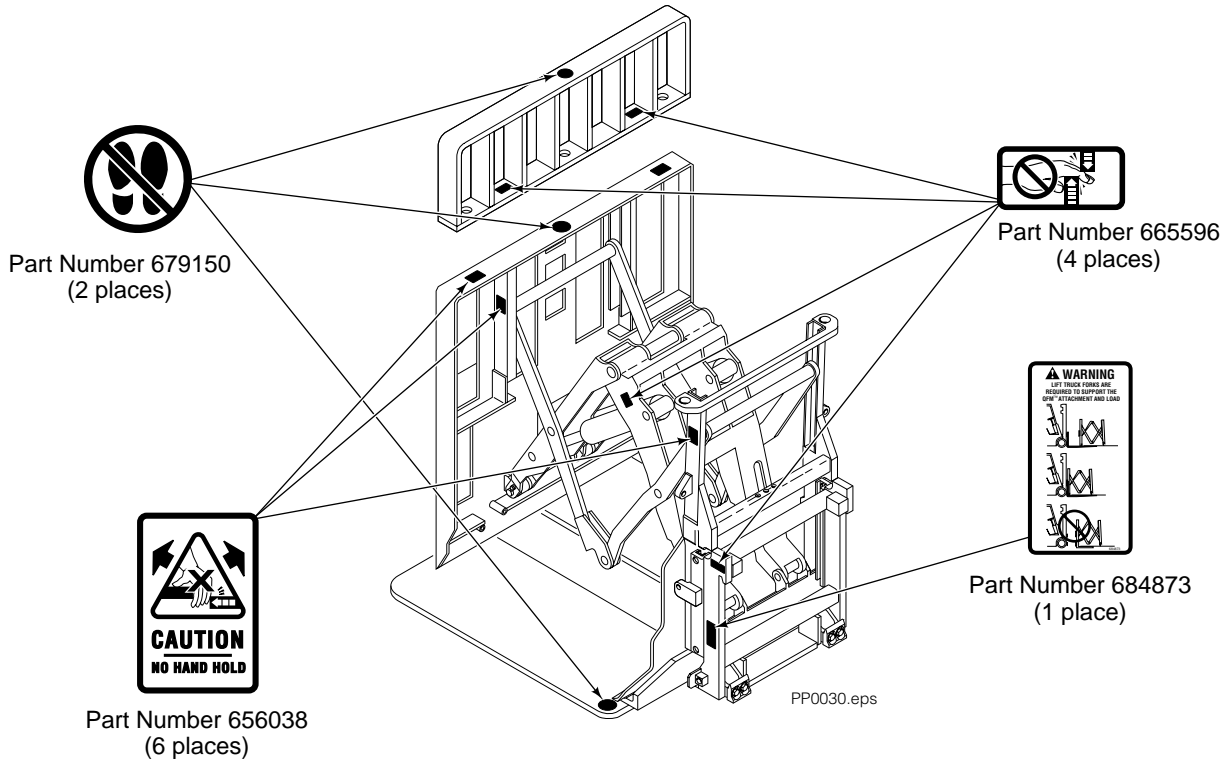
OR

Write: Cascade Corporation, P.O. Box 20187, Portland, OR 97220

Internet: www.cascorp.com

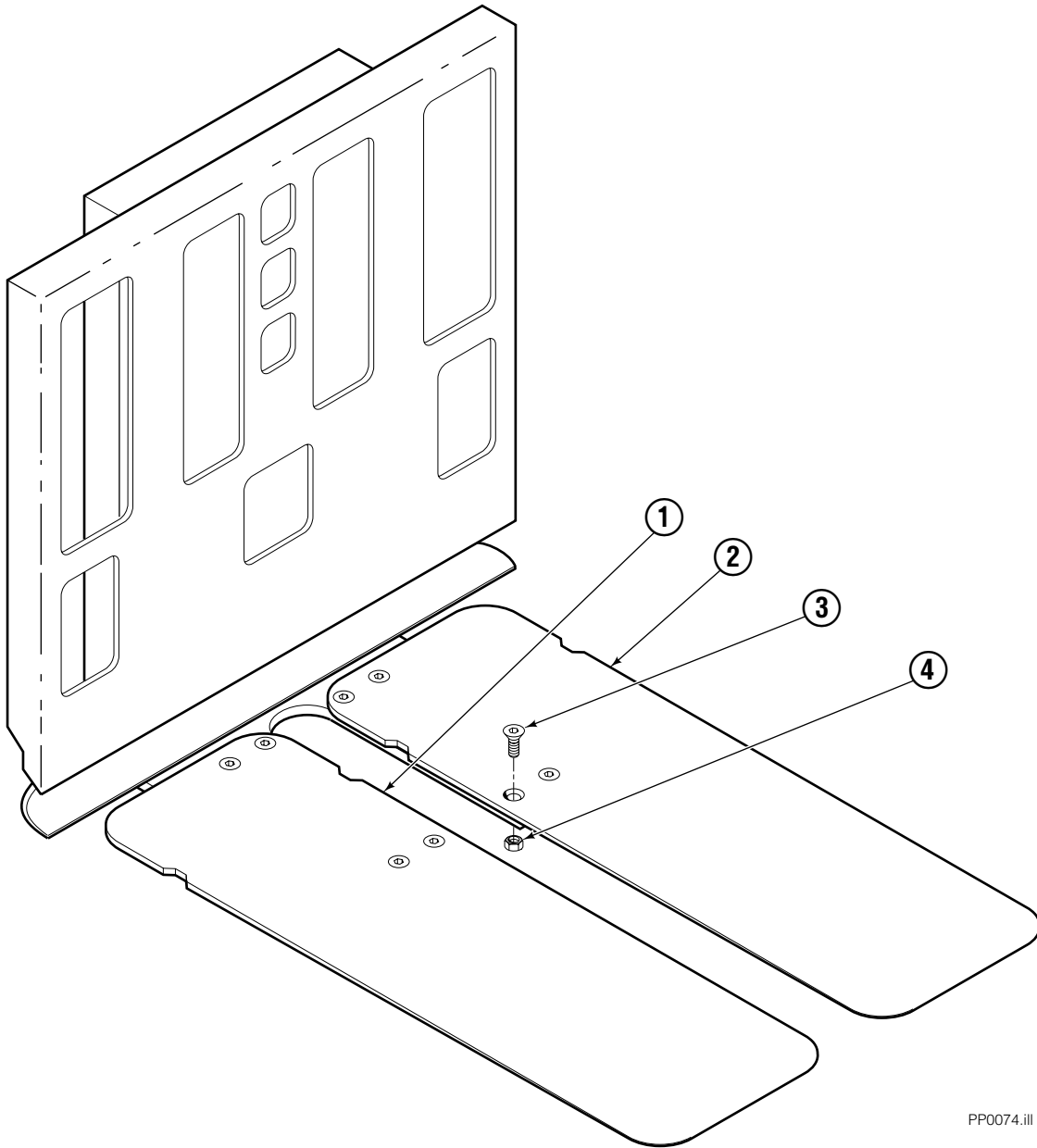
Decals

35E/45E QFM™ Sheet-Sav



PART NO.	DESCRIPTION
686455	Service Manual
684945	Operators Guide
685531	Operators Pocket Guide
684948	Installation Instructions
680664	Servicing Cascade Cylinders-VHS
679929	Tool Catalog
673964	Literature Index Order Form

Platen Group



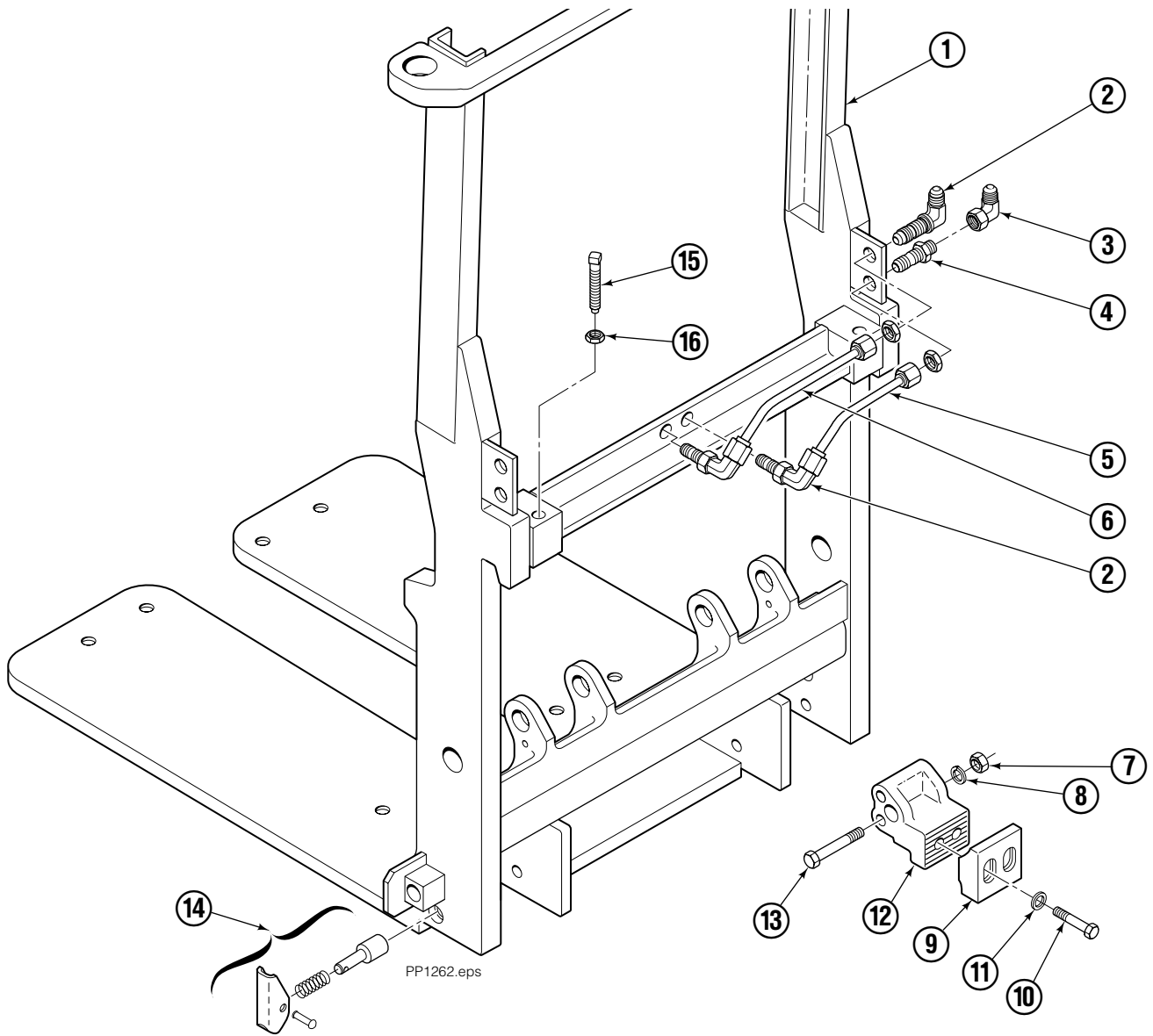
PP0074.iii

NOTE: Usable platen lengths are determined by measuring platen from end to end.

REF	QTY	PART NO.	DESCRIPTION
		683205	Platen Group
1	1	683207	Platen R. H.
2	1	683206	Platen L. H.
3	8	768705	Capscrew, M12 x 30
4	8	773842	Nut, M12

Reference: S-3351.

Frame Group ITA II

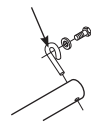


45E							
REF	QTY	PART NO.	DESCRIPTION	REF	QTY	PART NO.	DESCRIPTION
		204625	Frame Group	9	2	676280	Hook
1	1	205019	Frame	10	4	768554	Capscrew, M12 x 35
2	3	2453	Fitting, 6-6	11	4	667910	Washer
3	1	2680	Fitting, 6-6	12	2	683188	Pivot Hook
4	1	2375	Fitting, 6-6	13	2	768837	Capscrew, M12 x 120
5	1	683186	Tube	14	2	683189	Pin Assembly
6	1	683187	Tube	15	2	204938	Setscrew
7	2	763025	Nut, M12	16	2	5930	Nut
8	2	681473	Lockwasher, M12				

Reference: Common Parts 685642, SK-5386.

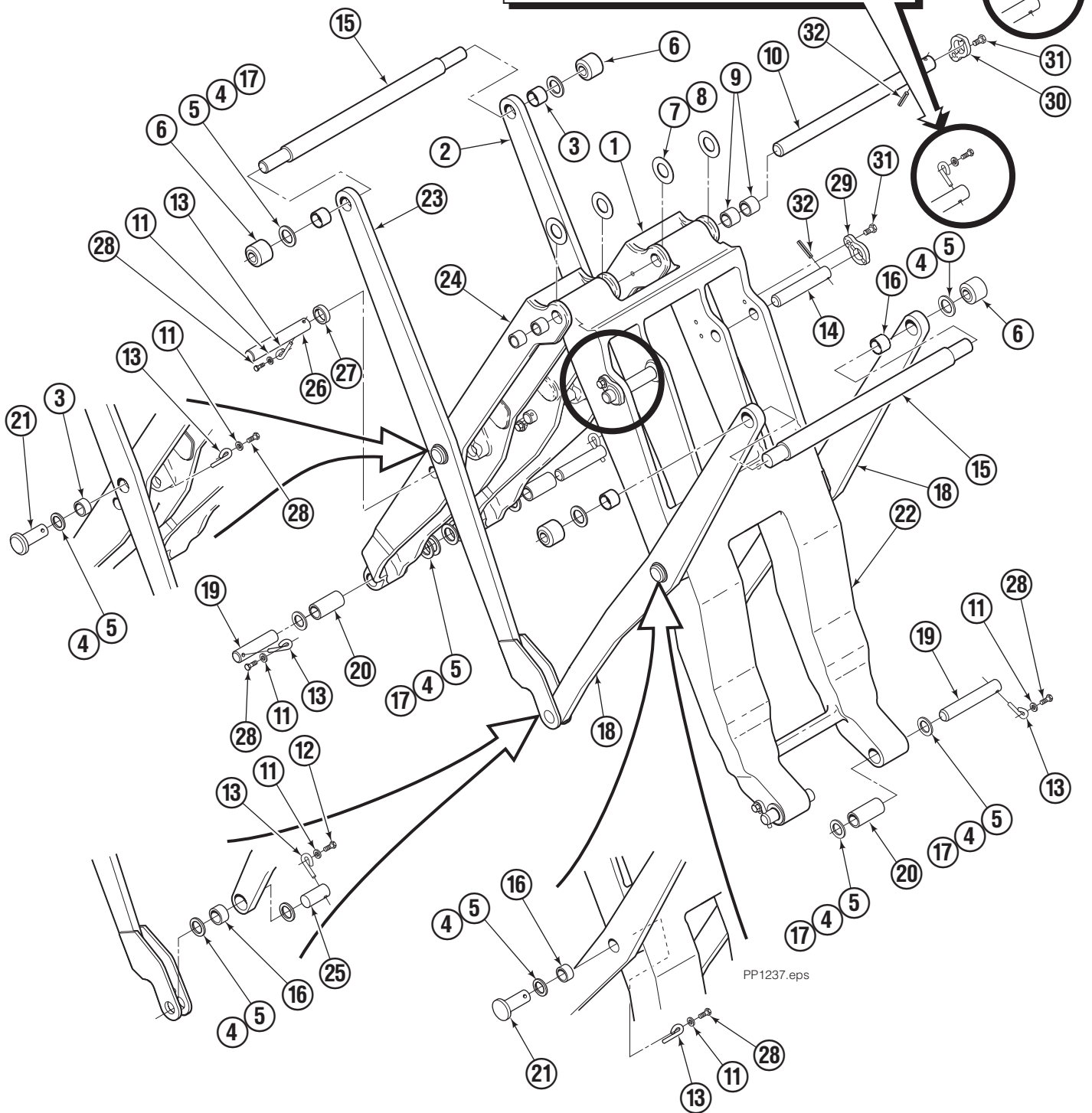
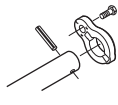
Mechanism Group

Eyepins



If eyepins in noted locations need replacement, order Service Kit 6051665. The kit includes three new pin retainers, roll pins and capscrews.

Service Kit



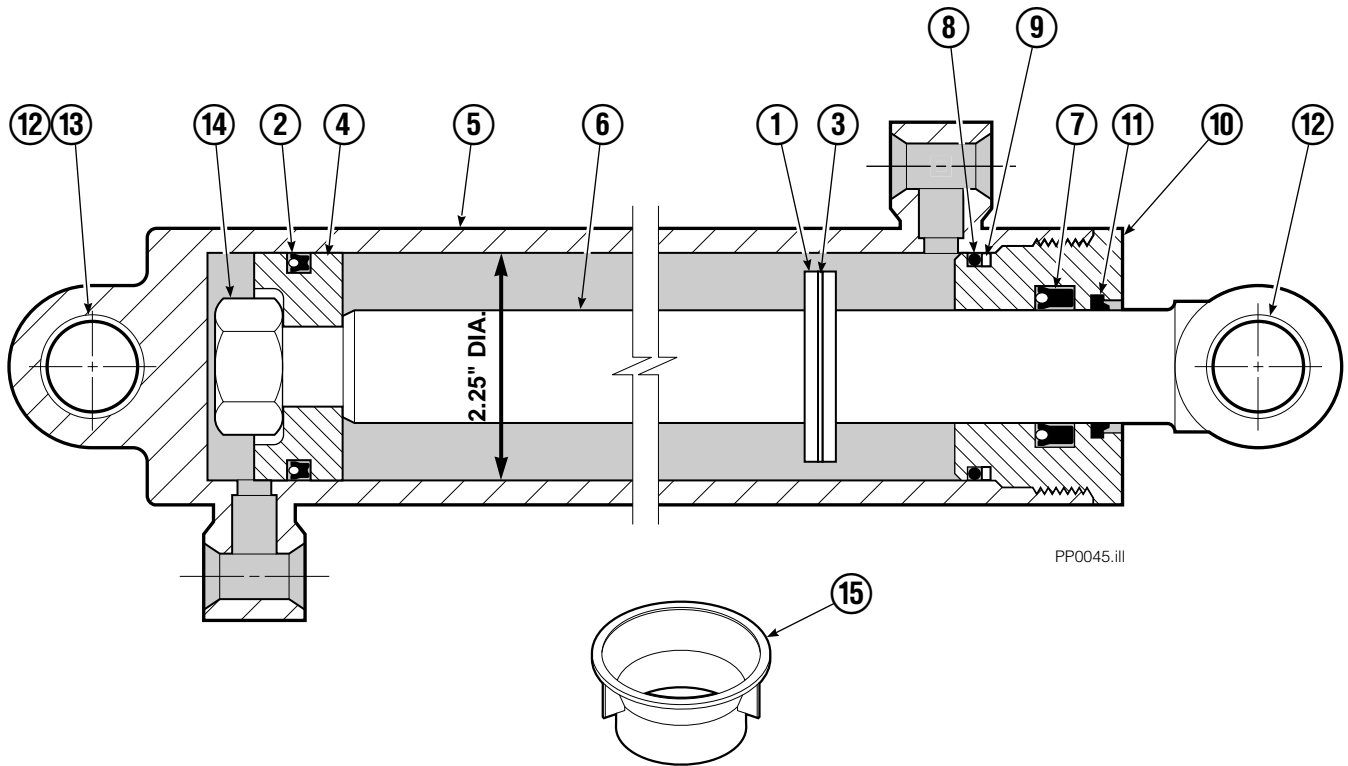
PP1237.eps

Mechanism Group

35E/45E			
REF	QTY	PART NO.	DESCRIPTION
		204644	Mechanism Group
1	1	204691	Arm – Inner Secondary RH
2	1	204692	Arm – Secondary Outer RH
3	4	683154	Bushing ■
4	●	683161	Shim (.030)
5	●	683162	Shim (.060)
6	4	205070	Roller
7	●	683163	Shim (.030)
8	●	683164	Shim (.060)
9	4	683155	Bushing ■
10	1	682821	Pin – Primary/Secondary Inner
11	12	6229	Washer
12	2	685661	Capscrew, M8 x 14
13	12	6020429	Eye Pin
14	2	682822	Pin – Head
15	2	205065	Pin
16	6	683153	Bushing ■
17	●	204532	Shim (.12)
18	2	204694	Arm – Outer Primary
19	4	204533	Pin – Frame
20	4	204535	Bushing ■
21	4	204695	Pin – Primary Outer
22	1	204604	Arm – Inner Primary
23	1	204693	Arm – Secondary Outer LH
24	1	204690	Arm – Inner Secondary LH
25	2	204696	Pin – Outer
26	2	682823	Pin – Rod
27	2	683165	Spacer
28	10	767961	Capscrew, M8 x 16
29	2	6045015	Retainer ◆ (or)
	2	6050227	Retainer ◆★
30	1	6047125	Retainer ◆ (or)
	1	6050414	Retainer ◆★
31	3	6047151	Capscrew, M8 x 16 ★
32	3	7913	Roll Pin ★

- Quantity as required.
- Included in Bushing Service Kit 205075.
- ◆ Confirm part number cast on retainer.
- ★ Included in Service Kit 6051665.

Cylinder

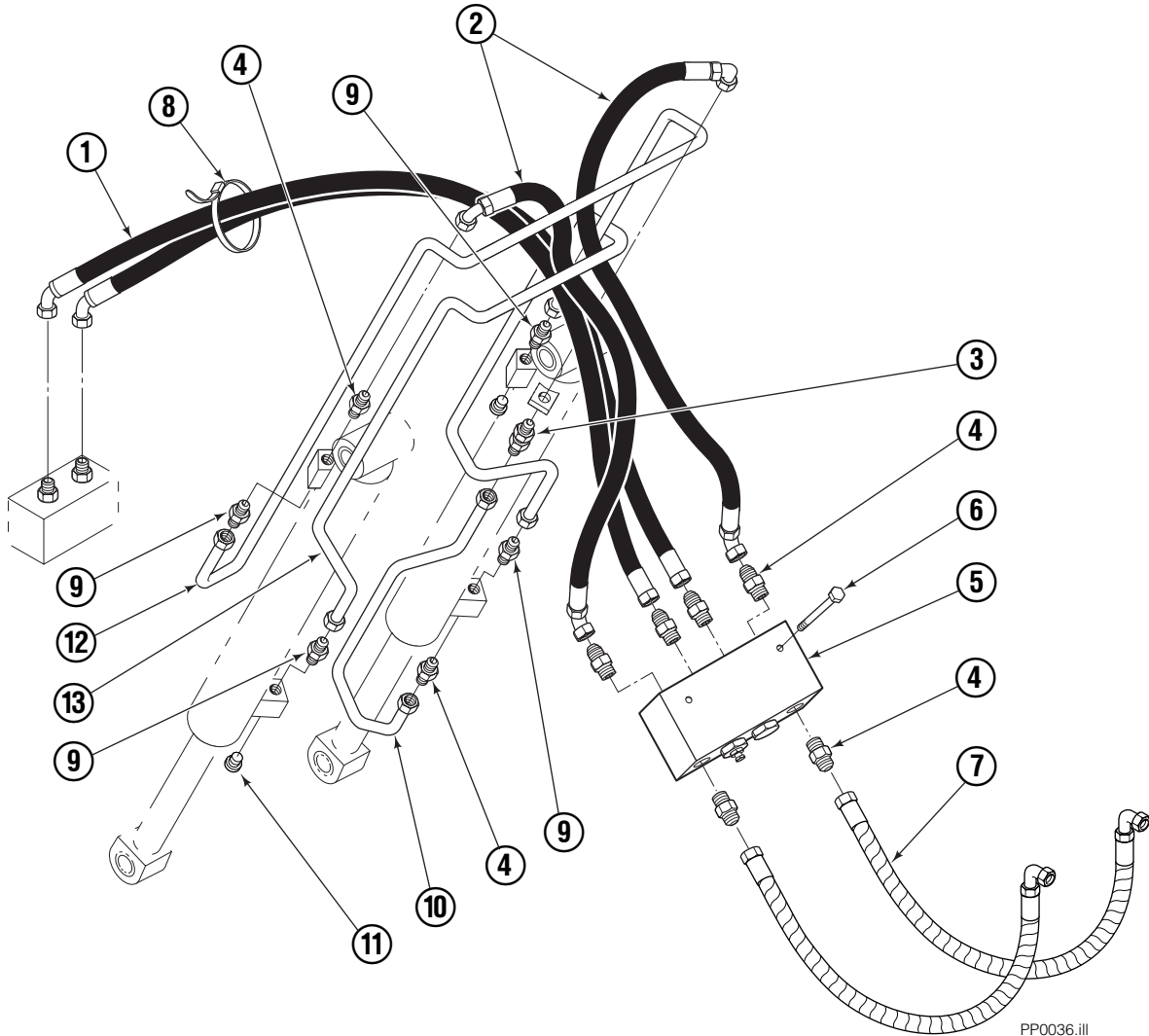


REF	QTY	PART NO.	DESCRIPTION
		582636	Cylinder Assembly
1	1	—	Spacer
2	1	564159	■ Seal
3	1	7348	Snap Ring
4	1	564161	Piston
5	1	562717	Shell
6	1	558626	Rod
7	1	662448	■ Seal
8	1	2787	■ O-Ring
9	1	615130	■ Back-Up Ring
10	1	558628	Retainer
11	1	636853	■ Wiper
12	4	559697	Bearing
13	1	559698	Spacer
14	1	678019	Nut
15	1	671048	■ Seal Loader Kit

■ Included in Service Kit 562339.

Reference: S-3424.

Hydraulic Group



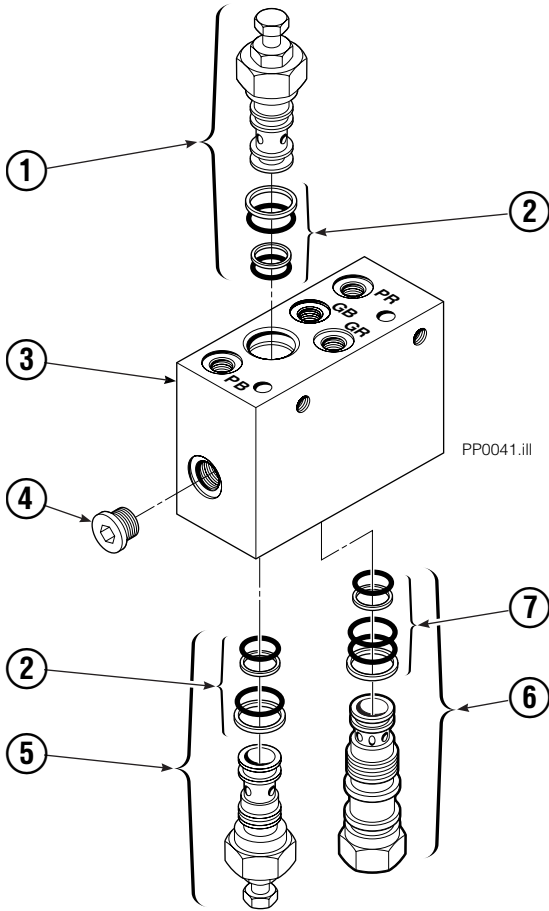
PP0036.ill

35E/45E							
REF	QTY	PART NO.	DESCRIPTION	REF	QTY	PART NO.	DESCRIPTION
		685828	Hydraulic Group	6	2	787373	◆ Capscrew, M8 x 25
1	1	685831	Hose, Twinline	7	2	685978	Hose
2	2	683173	◆ Hose	8	2	684956	Cable Tie
3	1	2375	◆ Fitting, 6-6	9	4	605235	◆ Fitting, 5-6
4	2	604511	◆ Fitting, 6-6	10	1	200647	◆ Tube
	6	604511	Fitting, 6-6	11	2	—	Plug
5	1	682812	Valve (or) ■	12	1	200649	◆ Tube
	1	6052508	Valve ■	13	1	200648	◆ Tube

■ Note part number stamped on Valve Body.
See Valve Assembly page for parts breakdown.

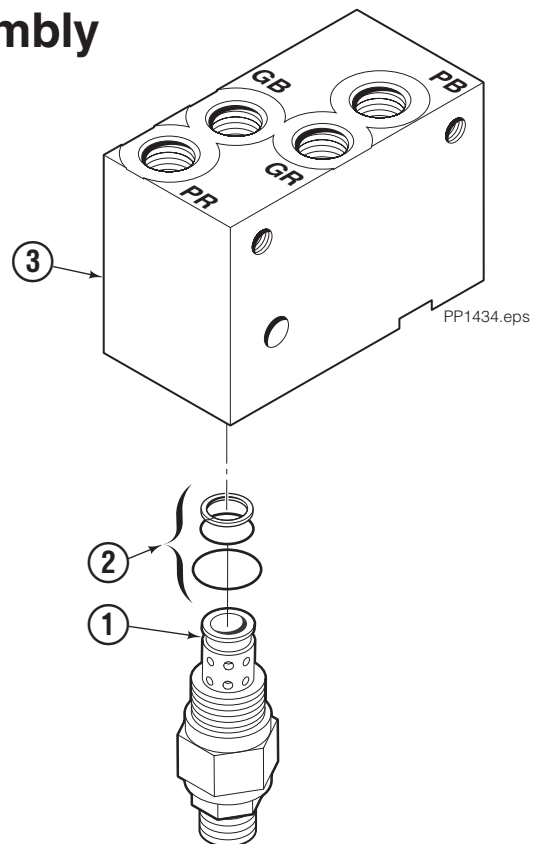
◆ Included in Hydraulic Components Group 200581.

Valve Assembly



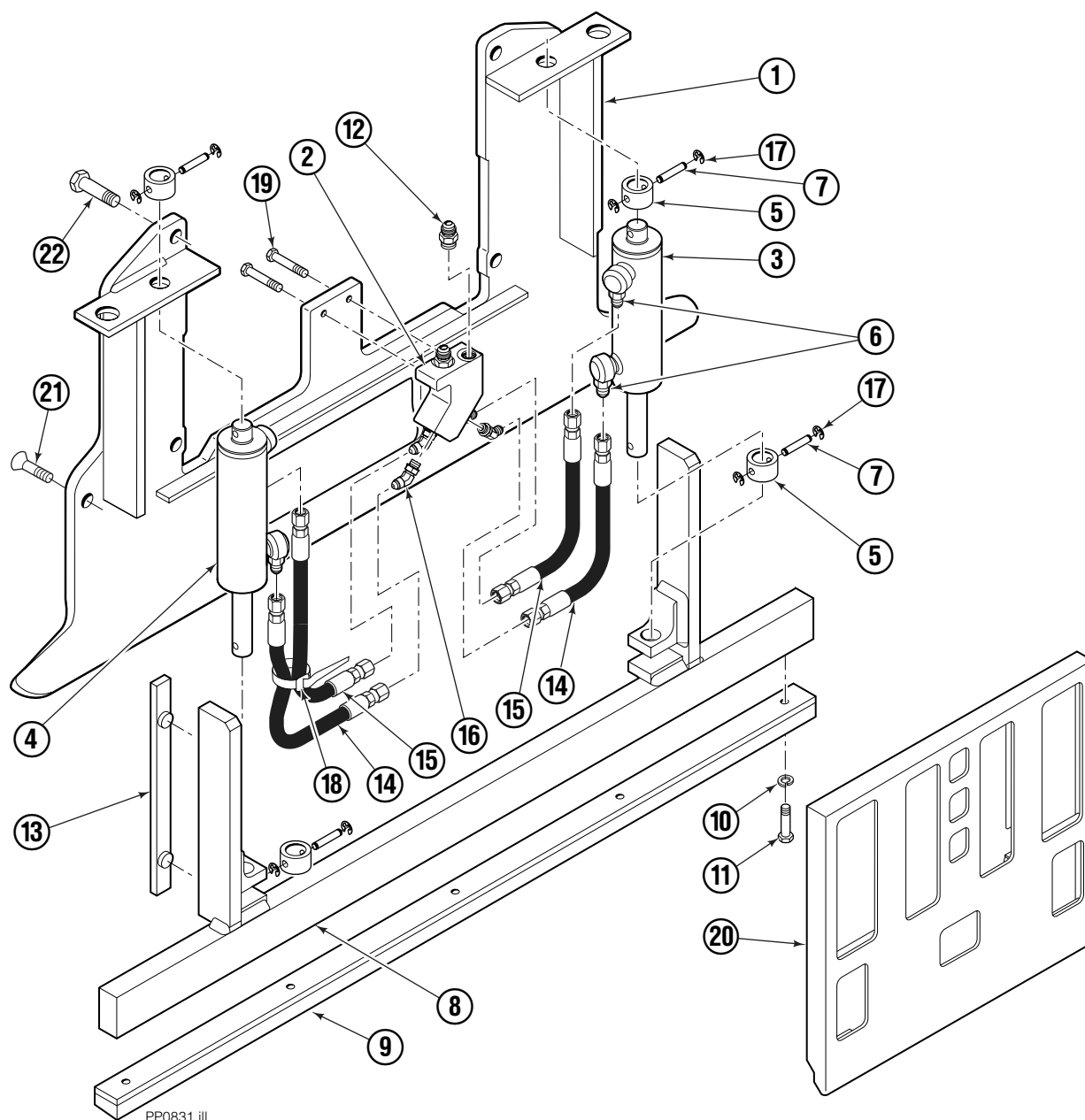
REF	QTY	PART NO.	DESCRIPTION
		682812	Valve Assembly
1	1	677125	Sequence Valve (Retract)
2	2	661312	Service Kit
3	1	682813	Body
4	5	663694	Fitting, 3
5	1	677124	Sequence Valve (Extend)
6	1	6038929	Gripper Check Valve
7	1	661347	Service Kit

Valve Assembly



REF	QTY	PART NO.	DESCRIPTION
		6052508	Valve Assembly
1	1	6045016	Relief Valve
2	1	682170	Service Kit
3	1	6051657	Valve Body

Faceplate Group



PP0831.ill

45E

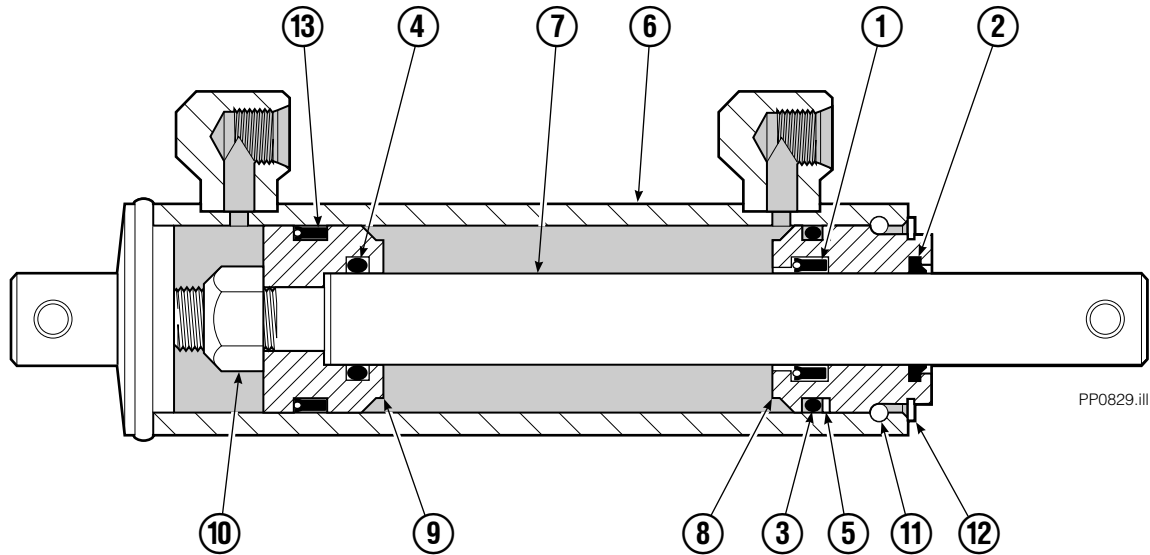
REF	QTY	PART NO.	DESCRIPTION	REF	QTY	PART NO.	DESCRIPTION
		6019140	Faceplate Group, 40 x 40 in. ■	11	5	787375	Capscrew, M8 x 20
		6020440	Gripper Jaw Assembly ●	12	2	604511	Fitting, 6-6
1	1	206396	Gripper Jaw	13	2	686573	Bearing
2	1	6002134	Valve	14	2	6002138	Hose, 315 mm
3	1	6020444	Gripper Cylinder, LH ◆	15	2	6002139	Hose, 450 mm
4	1	6020443	Gripper Cylinder, RH ◆	16	4	617918	Fitting, 4-4
5	4	6020462	Collar	17	8	669894	Retaining Ring
6	4	617915	Fitting, 4-4	18	4	684956	Wire Tie
7	4	6014089	Pin	19	2	787373	Capscrew, M8 x 20
8	1	6002135	Gripper Bar	20	1	6002142	Faceplate, 40 x 40 in. ■
9	1	672712	Gripper Pad	21	2	768714	Capscrew, M16 x 60
10	5	680253	Lockwasher, M8	22	4	225346	Capscrew, M16 x 60

■ Width x height.

◆ See Gripper Cylinder page for parts breakdown.

● Includes items 1-19.

Gripper Cylinder Left Hand



REF	QTY	PART NO.	DESCRIPTION
		6020444	Gripper Cylinder – LH
1	1	646540	▼ Seal
2	1	636850	▼ Wiper
3	1	2718	▼ O-Ring
4	1	2710	▼ O-Ring
5	1	615122	▼ Back-Up Ring
6	1	6020453	Shell
7	1	6020461	Rod
8	1	685664	Retainer
9	1	685665	Piston
10	1	563462	Nut
11	1	563916	Ring
12	1	3137	Ring
13	1	663728	▼ Piston Seal

▼ Included in Service Kit 684827.

Do you have questions you need answered right now? Call your nearest Cascade Parts Department. Visit us online at www.cascorp.com

**Cascade Corporation
U.S. Headquarters**
2201 NE 201st
Fairview, OR 97024-9718
Tel: 800-CASCADE (227-2233)
FAX: 888-329-8207

Cascade Canada Inc.
5570 Timberlea Blvd.
Mississauga, Ontario
Canada L4W-4M6
Tel: 905-629-7777
FAX: 905-629-7785

Cascade GmbH
Niederwippekühl 1
58579 Schalksmühle
Germany
Tel: 02355-50900
FAX: 02355-509020

Cascade Finland
A. Petreliuksenkatu 3
01370 Vantaa
Finland
Tel: 09-8361925
FAX: 09-8361935

**Cascade N.V.
Benelux Sales and Service**
Damsluisweg 56
PO Box 3009
1300 El Almere
The Netherlands
Tel: 036-5492950
FAX: 036-5492974

Cascade (UK) Ltd.
Unit 4, 12 O'Clock Court
Attercliffe Road
Sheffield, S4 7WW
England
Tel: 0870-850-8756
FAX: 0870-850-8757

**Sales Scotland
Macade Systems Ltd.**
18 Melford Road
Righead Ind. Estate
Bellshill ML4 3LR
Scotland
Tel: 01698-845777
FAX: 01698-845888

Cascade (Africa) Pty. Ltd.
PO Box 625, Isando 1600
60A Steel Road
Sparton, Kempton Park
South Africa
Tel: 27-11-975-9240
FAX: 27-11-394-1147

Cascade Scandinavia AB
Hammarvägen 10
PO Box 124
S-56723 Vaggeryd
Sweden
Tel: 039-336950
FAX: 039-336959

**Cascade France
S.A.R.L. MHP**
1D Rue De Charaintru BP 18,
91360 Epinay-Sur-Orge
France
Tel: 01-6454-7500
FAX: 01-6454-7501

Cascade Hispania S.A.
Carrer 5, Sector C
Zona Franca Duanera
Poligono de la Zona Franca
08040 Barcelona, Spain
Tel: 93-264-07-30
FAX: 93-264-07-31

Cascade Italia S.R.L.
Via Dell'Artigianato 1
37050 Vago di Lavagno (VR)
Italy
Tel: 39-045-8989111
FAX: 39-045-8989160

Movimenta Lda.
Parque Industrial
Vale do Alecrim, Lote 108
2950-403 Palmela
Portugal
Tel: 351-212387340
FAX: 351-212387349

**Sales Switzerland
Fahrzeugbedarf**
8810, Horgen
Switzerland
Tel: 01-7279797
FAX: 01-7279798

Sales Poland
Targowa 35/61
03-728 Warszawa
Tel: 022-619 00 49
FAX: 022-619 00 49
Mobile Tel: 0501-27 29 55

Sales Russia
EMCG Material Handling
Equipment
Moscow
Tel: 095-795-2400
FAX: 095-795-2475
Email: emcg@emcg.ru

Cascade Japan Ltd.
5-5-41,
Torikai Kami
Settsu, Osaka
Japan, 566
Tel: 81-726-53-3490
FAX: 81-726-53-3497

Cascade Korea
121B 9L Namdong Ind.
Complex, 691-8 Gojan-Dong
Namdong-Ku
Inchon, 405-310 Korea
Tel: 82-32-821-2051
FAX: 82-32-821-2055

Cascade Australia
1445 Ipswich Road
Rocklea, QLD 4107
Australia
Tel: 1-800-227-223
FAX: 617-3373-7333

Cascade New Zealand
15 Ra Ora Drive
East Tamaki, Auckland
New Zealand
Tel: 64-9-273-9136
FAX: 64-9-273-9137

Cascade-Xiamen
No. 668 Yangguang Rd.
Xinyang Industrial Zone
Haicang, Xiamen City
Fujian Province
P.R. China 361026
Tel: 86-592-651-2500
FAX: 86-592-651-2571

**Sunstream Industries
Pte Ltd.**
No. 3 Tuas Link 1
2263
Singapore
Tel: 65-6863-3488
FAX: 65-6863-1368

**Cascade do Brasil
Distribuidora de Garras
e Garfos LTDA**
Av. General Valdomiro
de Lima 43
Jabaquara - Sao Paulo - S.P.
Brasil CEP 04344-070
Tel: 55-11-5016-2484
Fax: 55-11-5013-2809

