



Parts Manual

55D Pivot Arm Paper Roll Clamp

Serial Numbers 673804 through 673823

Manual Number 673915

cascade[®]

Cascade is a Registered Trademark of Cascade Corporation

HOW TO USE THIS MANUAL

INTRODUCTION

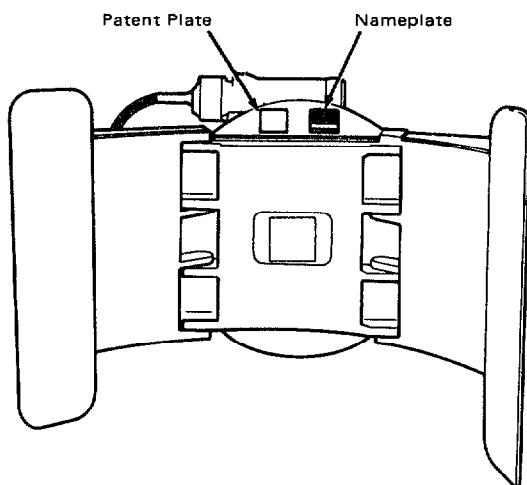
This manual illustrates service replacement parts for standard production Cascade 55D Pivot Arm Paper Roll Clamps.

The parts manuals for attachments designed by the Application Engineering Department have an S.E.L. designation on the cover of the manual. A standard attachment manual is not interchangeable with an S.E.L. Manual since it does not reflect the special engineering of an S.E.L. attachment.

To locate a replacement part for a standard attachment complete the following steps.

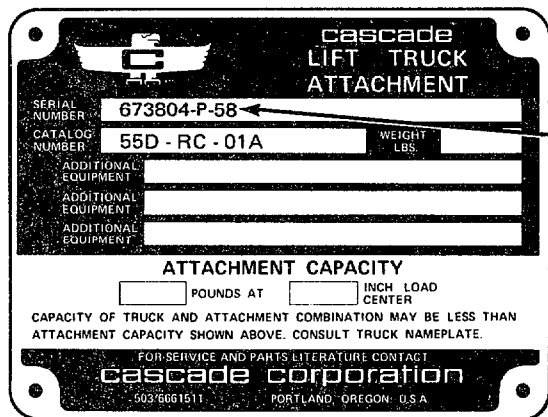
1. Locate the Nameplate

The nameplate is attached to the front of the rotator frame. If the nameplate is missing, all necessary information is stamped into the frame at the same location.



2. Note the Serial Number

Record the alpha-numeric serial number.



3. Refer to the Serial Number Index

The Serial Number Index on page i contains a listing of serial numbers, beginning with the lowest number first.

Locate your serial number in this Index.

The columns to the right of the serial number will give you the correct page number for specific parts groups.

EXAMPLE

The nameplate gives a serial number of 673804.

The columns to the right of this serial number in the Index will give you the correct page for a specific parts group.

For instance, the Valve Group for this clamp is on page 3 and the Mounting Group is on page 9.

4. Ordering

RETAIL CUSTOMERS—Cascade Service Replacement Parts and Service Literature are sold through authorized lift truck dealers. To order, contact the lift truck dealer of your choice.

LIFT TRUCK DEALERS—To order Service Replacement Parts or Service Literature, contact:

Cascade Parts Depot
2501 Sheridan Avenue
Box 360
Springfield, Ohio 45505
(513) 322-1199

5. For Your Convenience

... we have supplied a parts ordering log located on the last page. Use this log as a permanent record of parts ordered from this manual.

Serial Number Index

Serial Number (U.I. No.)	Model	Frame Group Page	Drive Group Page	Check Valve Group	Revolving Connection Page	Long Arm Cylinder Page	Short Arm Cylinder Page	Long Arm Page	Short Arm Page	Mounting Group Page	180° Rotator Stop Group Page
673804	55D	1	2 - 2A	3	4	5	6	7	8	9 - 9A	10
673805	55D	1	2 - 2A	3	4	5	6	7	8	9 - 9A	10
673806	55D	1	2 - 2A	3	4	5	6	7	8	9 - 9A	10
673807	55D	1	2 - 2A	3	4	5	6	7	8	9 - 9A	10
673808	55D	1	2 - 2A	3	4	5	6	7	8	9 - 9A	10
673809	55D	1	2 - 2A	3	4	5	6	7	8	9 - 9A	10
673810	55D	1	2 - 2A	3	4	5	6	7	8	9 - 9A	10
673811	55D	1	2 - 2A	3	4	5	6	7	8	9 - 9A	10
673812	55D	1	2 - 2A	3	4	5	6	7	8	9 - 9A	10
673813	55D	1	2 - 2A	3	4	5	6	7	8	9 - 9A	10
673814	55D	1	2 - 2A	3	4	5	6	7	8	9 - 9A	10
673815	55D	1	2 - 2A	3	4	5	6	7	8	9 - 9A	10
673816	55D	1	2 - 2A	3	4	5	6	7	8	9 - 9A	10
673817	55D	1	2 - 2A	3	4	5	6	7	8	9 - 9A	10
673818	55D	1	2 - 2A	3	4	5	6	7	8	9 - 9A	10
673819	55D	1	2 - 2A	3	4	5	6	7	8	9 - 9A	10
673820	55D	1	2 - 2A	3	4	5	6	7	8	9 - 9A	10
673821	55D	1	2 - 2A	3	4	5	6	7	8	9 - 9A	10
673822	55D	1	2 - 2A	3	4	5	6	7	8	9 - 9A	10
673823	55D	1	2 - 2A	3	4	5	6	7	8	9 - 9A	10

Recommended Spare Parts List

FOR PIVOT ARM PAPER ROLL CLAMPS

Group & Description	55D	Attachments Serviced	
		1- 5	6 - 19

FRAME GROUP

Pin	661174	0	4
Bushing	660199	0	8
Shim	660200	4	14

SHORT & LONG ARM GROUP

Pin	651374	2	4
Arm		0	0
Contact Plate		0	4

DRIVE GROUP

Worm	672447	0	1
Pinion	670506	0	1
Bearing	670581	0	1
Snap Ring	7214	2	2
O-ring	643423	1	2
Drive Motor	670548	0	1
Drive Motor Seal Kit	671426	1	1
Sealant	668184	1	2
Bearing	—	0	1
Bearing Service Kit	671684	1	1
Bearing Service Kit	671583	1	2
Gear Box Lube	656300	1	2

CHECK VALVE

Check Valve Assembly	670549	0	1
Check Valve	—	0	2
Seal Kit	—	1	2

STOP KIT

Stop Kit	669344	1	2
----------	--------	---	---

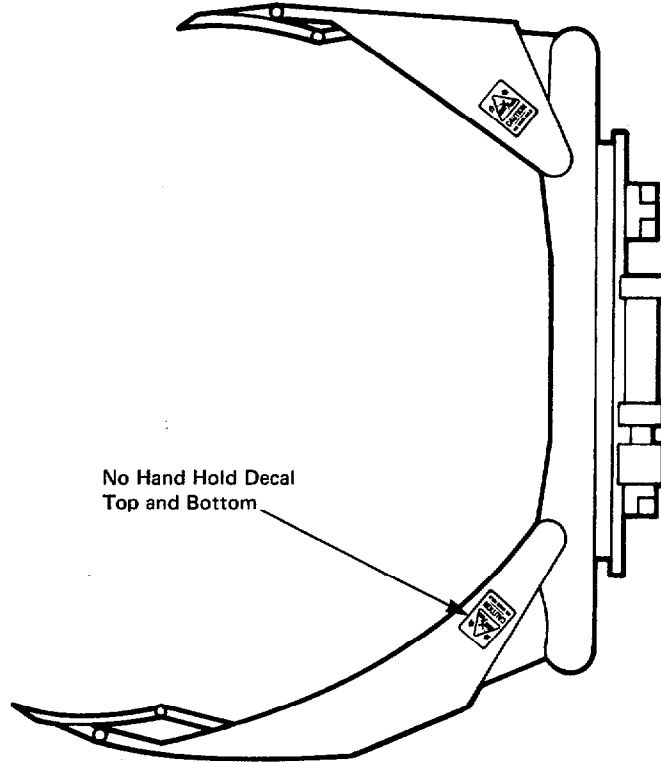
CYLINDERS

Long Arm Service Kit	660955	2	4
Short Arm Service Kit	660955	1	2
Long Arm Cylinder	See Serial Number Index	0	1
Short Arm Cylinder		0	1

REVOLVING CONNECTION

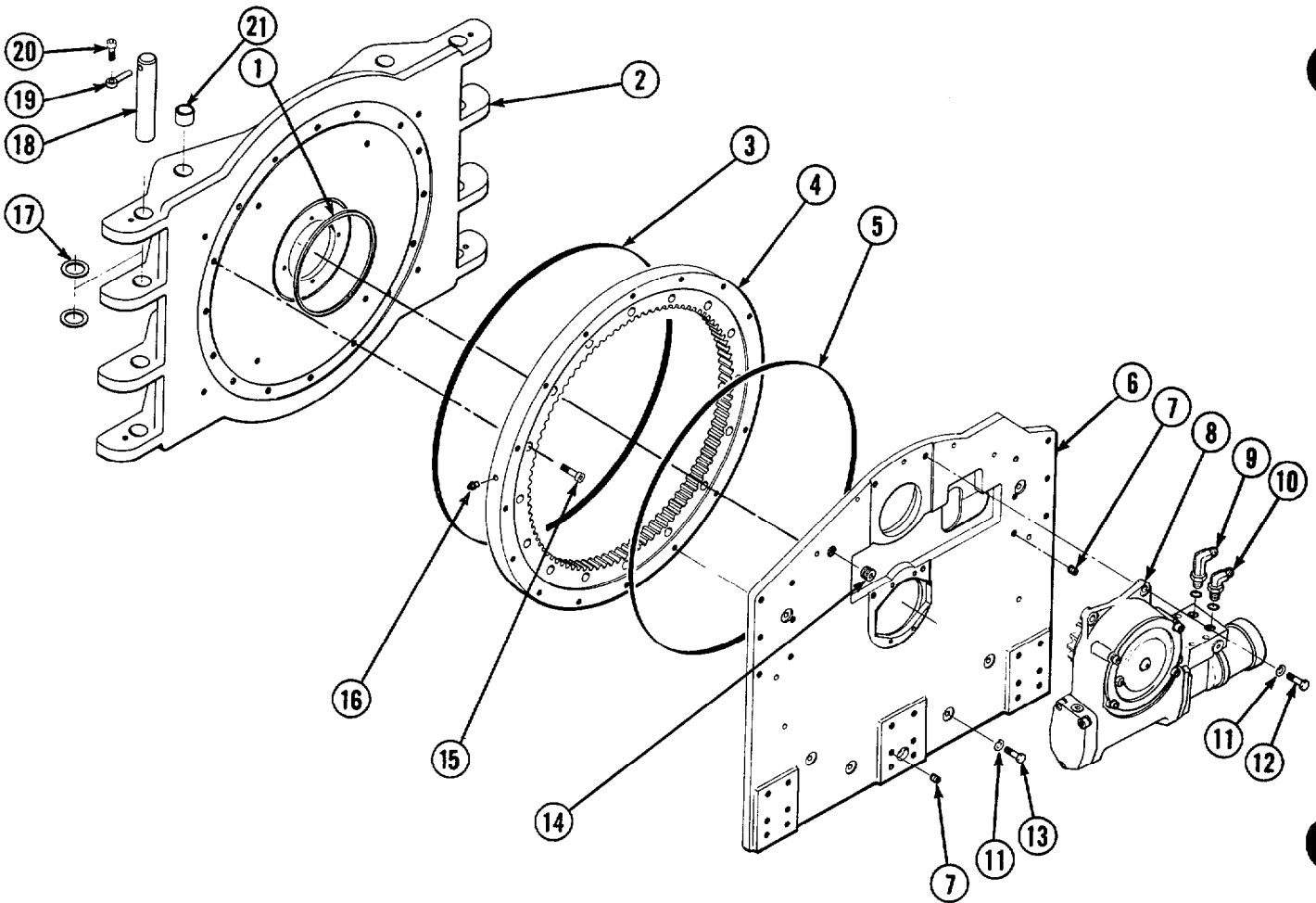
Revolving Conn.	655576	0	0
Valve Cartridge	661816	2	4
Cartridge Service Kit	656223	1	2
Shaft Service Kit	651876	1	2

Safety Decal



QTY.	PART NO.	DESCRIPTION
4	656038	No Hand Hold Decal

Rotator Frame

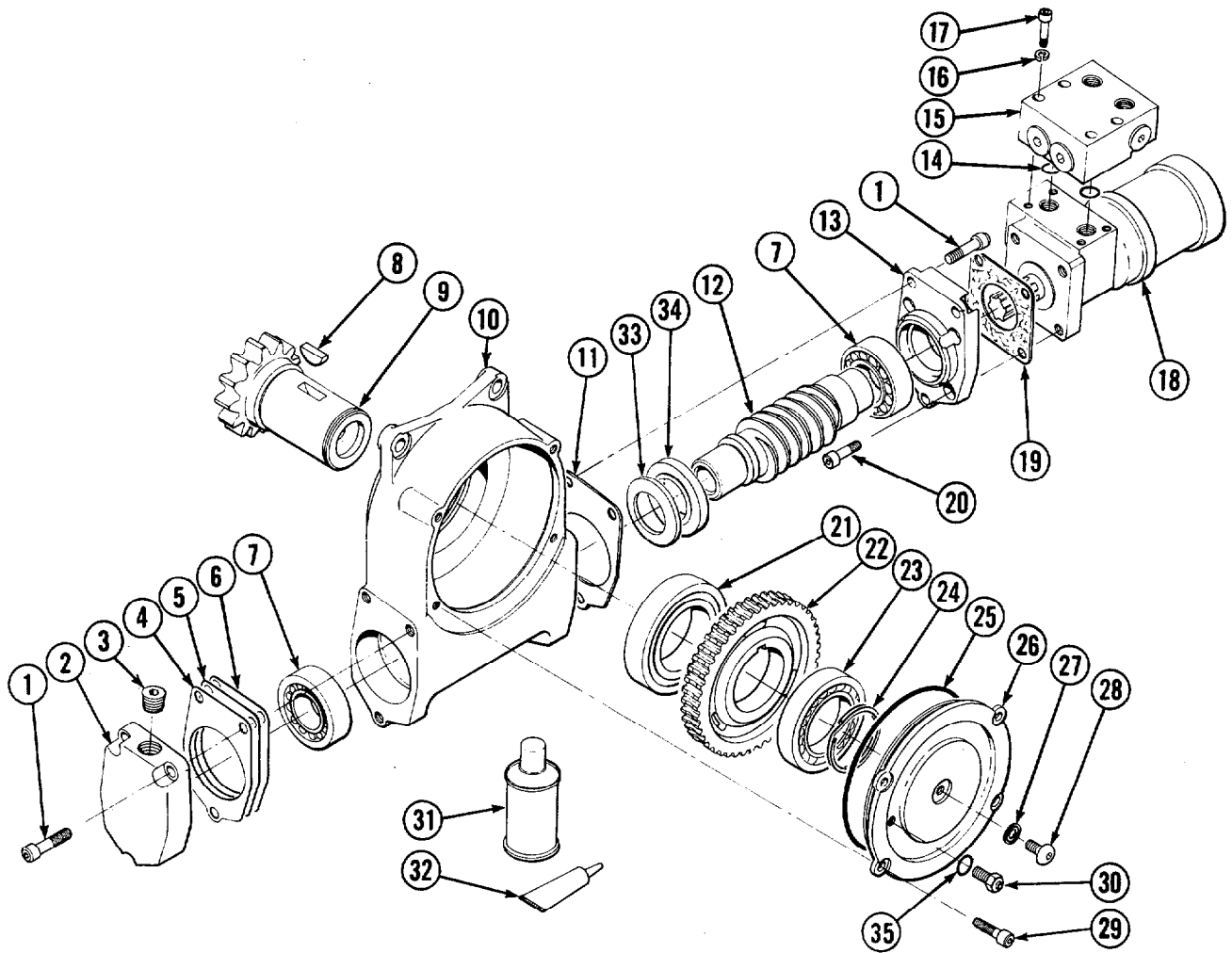


REF. NO.	QTY.	PART NO.	DESCRIPTION
1	1	670931	Seal
2	1	673722	Revolving Frame
3	1	670513	Seal
◆ 4	1	672828	Bearing Assembly
5	1	670514	Seal
6	1	673723	Baseplate
7	8	631385	Plug
● 8	1	670505	Drive Group
9	1	660385	Fitting
10	1	601250	Fitting
11	18	6290	Lockwasher
12	4	661742	Capscrew, 1/2 NC x 1.25 GR5
13	16	640013	Capscrew, 1/2 NC x 1.75 GR5
14	1	6605	Plug
◆ 15	16	669322	Capscrew
16	1	7401	Grease Fitting
17	16	660200	Shim
18	4	661174	Pin
19	4	651091	Eyebolt
20	4	651090	Shoulder Bolt
21	8	660199	Bushing
		672481	Bearing Service Kit

- ◆ Includes items 3 and 5.
- See page 4 for replacement parts breakdown.
- ◆ Included in Bearing Service Kit 672481.



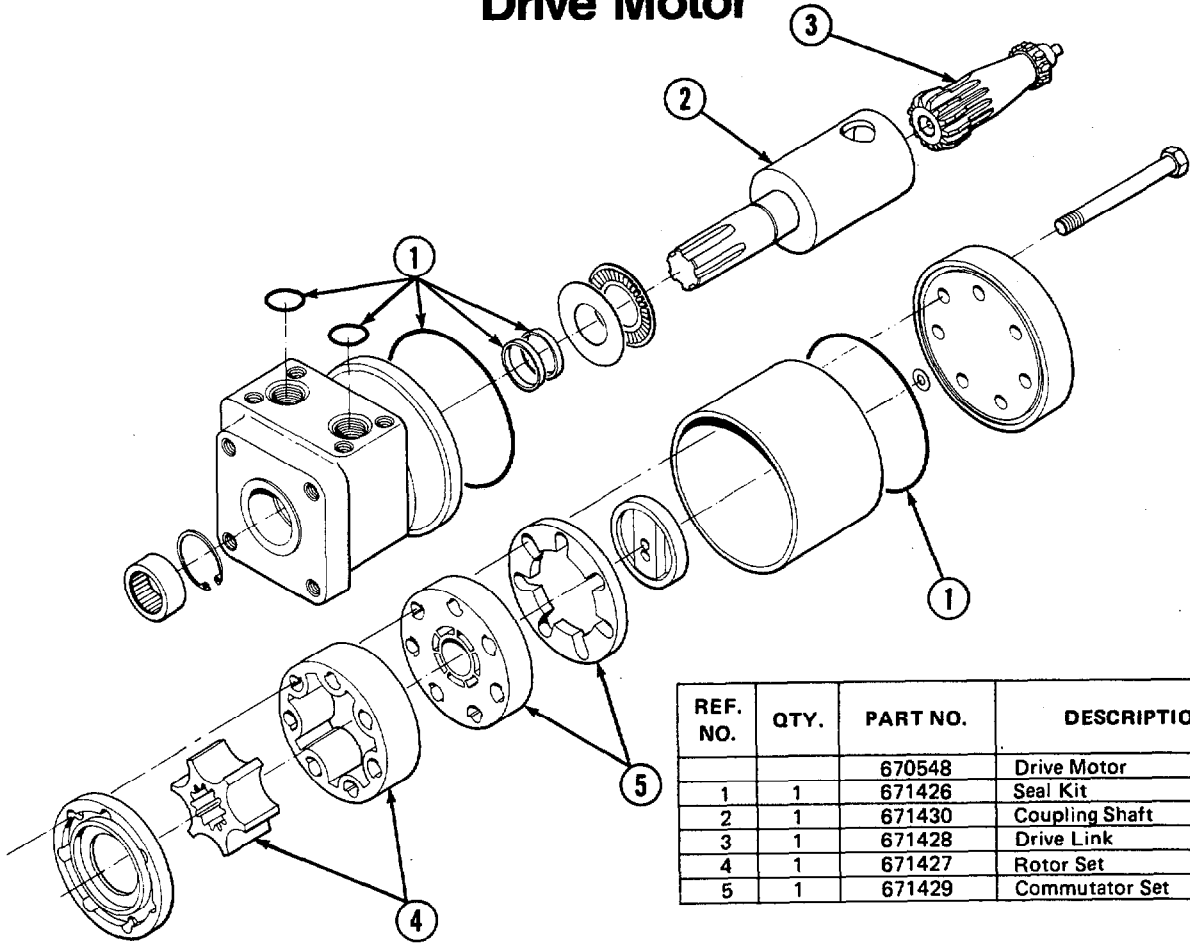
Drive Group



REF. NO.	QTY.	PART NO.	DESCRIPTION	REF. NO.	QTY.	PART NO.	DESCRIPTION
		670505	Drive Group W/Motor	19	1	670575	Gasket
1	6	607071	Cap screw, 7/16 NC x 1.0 HS	20	4	4468	Cap screw, 3/8 NC x .75 HS
2	1	670572	Cover	21	1	670580	Bearing
3	1	6609	Plug	22	1	670577	Worm Gear
★ 4	●	670574	Shim – .010" (Brown)	23	1	670581	Bearing
★ 5	●	671757	Shim – .015" (Pink)	24	1	7214	Snap Ring
★ 6	●	671758	Shim – .020" (Yellow)	25	1	643423	O-Ring
† 7	2	670579	Bearing	26	1	670567	Cover
8	1	670582	Key	27	1	603680	Seal
9	1	670506	Pinion	28	1	4874	Cap screw
10	1	670565	Housing	29	4	671535	Cap screw
11	1	670574	Shim – .010" (Brown)	30	1	644010	Relief Fitting
12	1	672447	Worm	31	1	656300	Gear Box Lube – 48 oz.
13	1	670570	Adapter	32	1	668184	Sealant
14	2	2705	Seal	33	1	672449	Washer Spring
◆ 15	1	670549	Valve Assembly	34	1	672448	Washer
16	4	6444	Lockwasher	35	1	672350	Cap Seal
17	4	607059	Cap screw, 5/16 NC x 1.75 HS			†670578	Shim Service Kit
‡ 18	1	670548	Drive Motor			671583	Bearing Service Kit
						671584	Bearing Service Kit

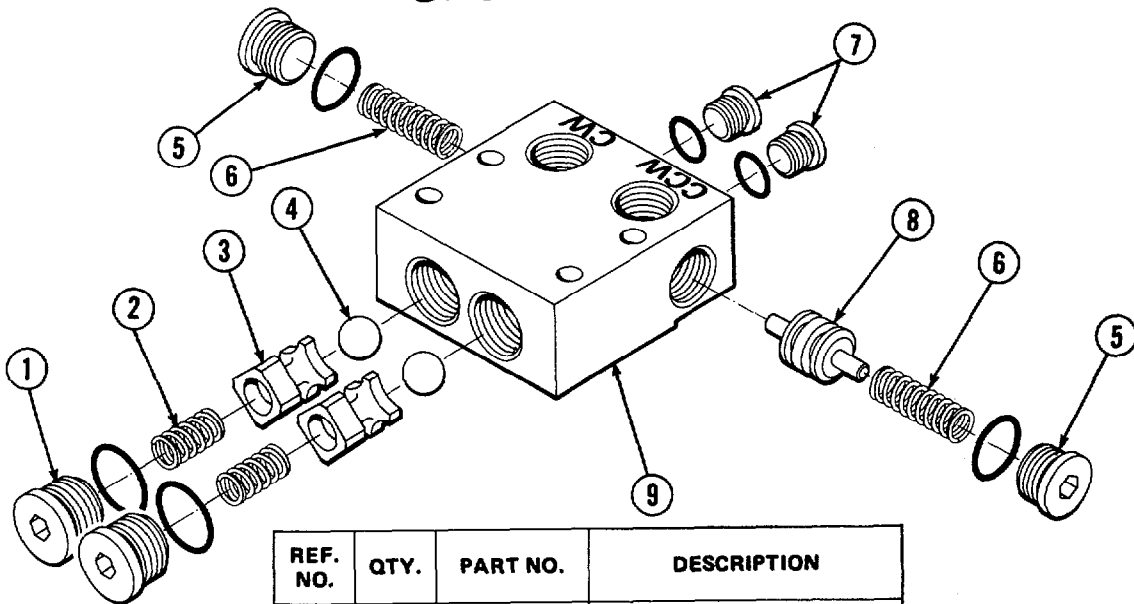
- Quantity as required.
- ◆ Included in Bearing Service Kit 671583.
- † Included in Bearing Service Kit 671584.
- ★ Included in Shim Service Kit 670578.
- ◆ See page 2A for replacement parts breakdown.
- ‡ See page 2A for replacement parts breakdown.

Drive Motor



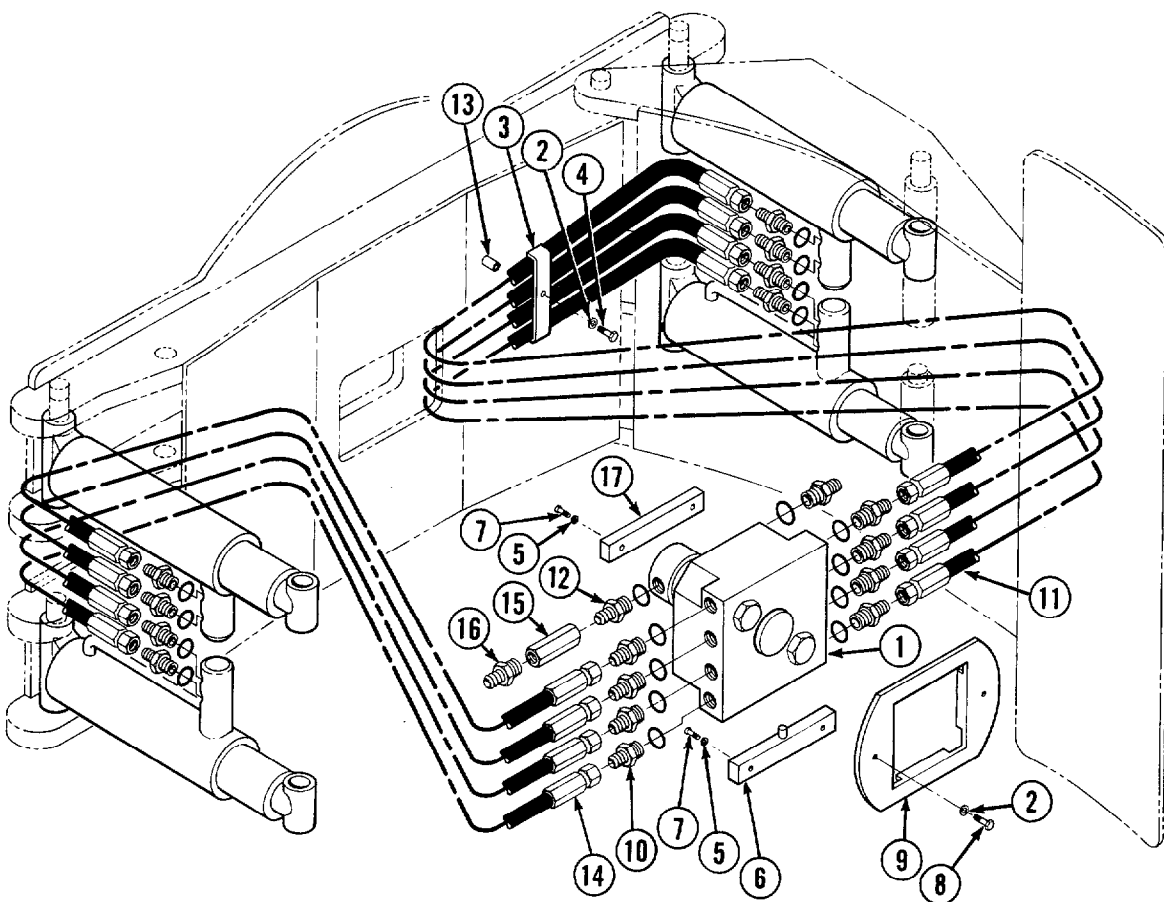
REF. NO.	QTY.	PART NO.	DESCRIPTION
		670548	Drive Motor
1	1	671426	Seal Kit
2	1	671430	Coupling Shaft
3	1	671428	Drive Link
4	1	671427	Rotor Set
5	1	671429	Commutator Set

Check Valve



REF. NO.	QTY.	PART NO.	DESCRIPTION
		670549	Check Valve Assembly
1	2	609453	Plug
2	2	670552	Spring
3	2	670551	Guide
4	2	7020	Ball
5	2	602580	Plug
6	2	670554	Spring
7	2	604510	Plug
8	1	670553	Spool
9	1	670550	Body

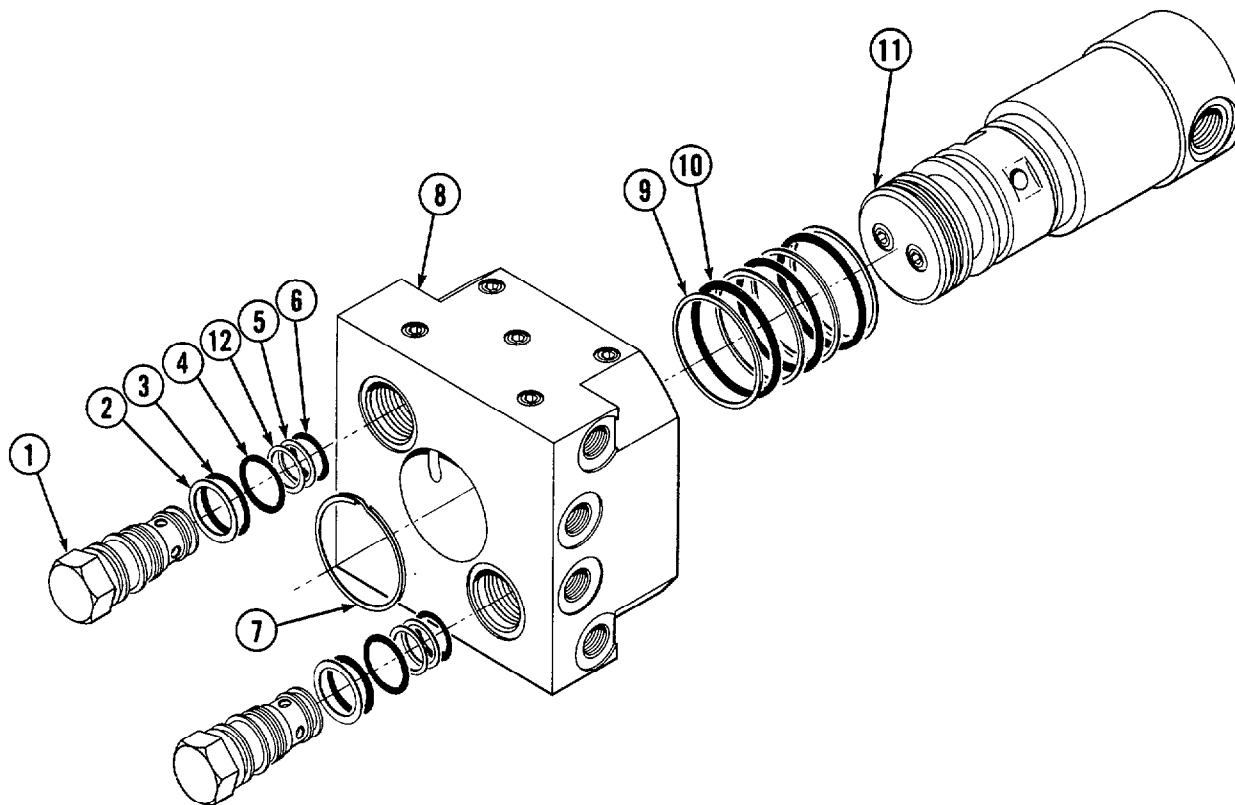
Check Valve Group



REF. NO.	QTY.	Powered Short Arm	Fixed Short Arm	DESCRIPTION
		PART NO.	PART NO.	
		673719	673720	Check Valve Group
1	1	655576	655576	Revolving Connection
2	3	—	6288	Lockwasher
	4	6288	—	Lockwasher
3	1	—	645597	Clamp
	2	645597	—	Clamp
4	1	—	3605	Capscrew, 3/8 NC x 1.50
	2	3605	—	Capscrew, 3/8 NC x 1.50
5	4	6287	6287	Lockwasher
6	1	673718	673718	Bar Keeper
7	4	3578	3578	Capscrew, 5/16 NC x 1.25
8	2	3601	3601	Capscrew, 3/8 NC x .75
9	1	645599	645599	Retainer
10	8	—	604511	Fitting, 6 - 6
	16	604511	—	Fitting, 6 - 6
11	4	660203	660203	Hose, Long Arm
12	2	601377	601377	Fitting, 8 - 8
13	1	—	645598	Spacer
	2	645598	—	Spacer
14	4	603722	—	Hose, Short Arm
	4	—	•604510	Plug
15	2	2618	2618	Fitting, 8 - 8
16	2	2671	2671	Fitting, 6 - 8
17	1	673717	673717	Bar

•Not shown. Used in place of items 10 and 14 on fixed short arm side of clamps.

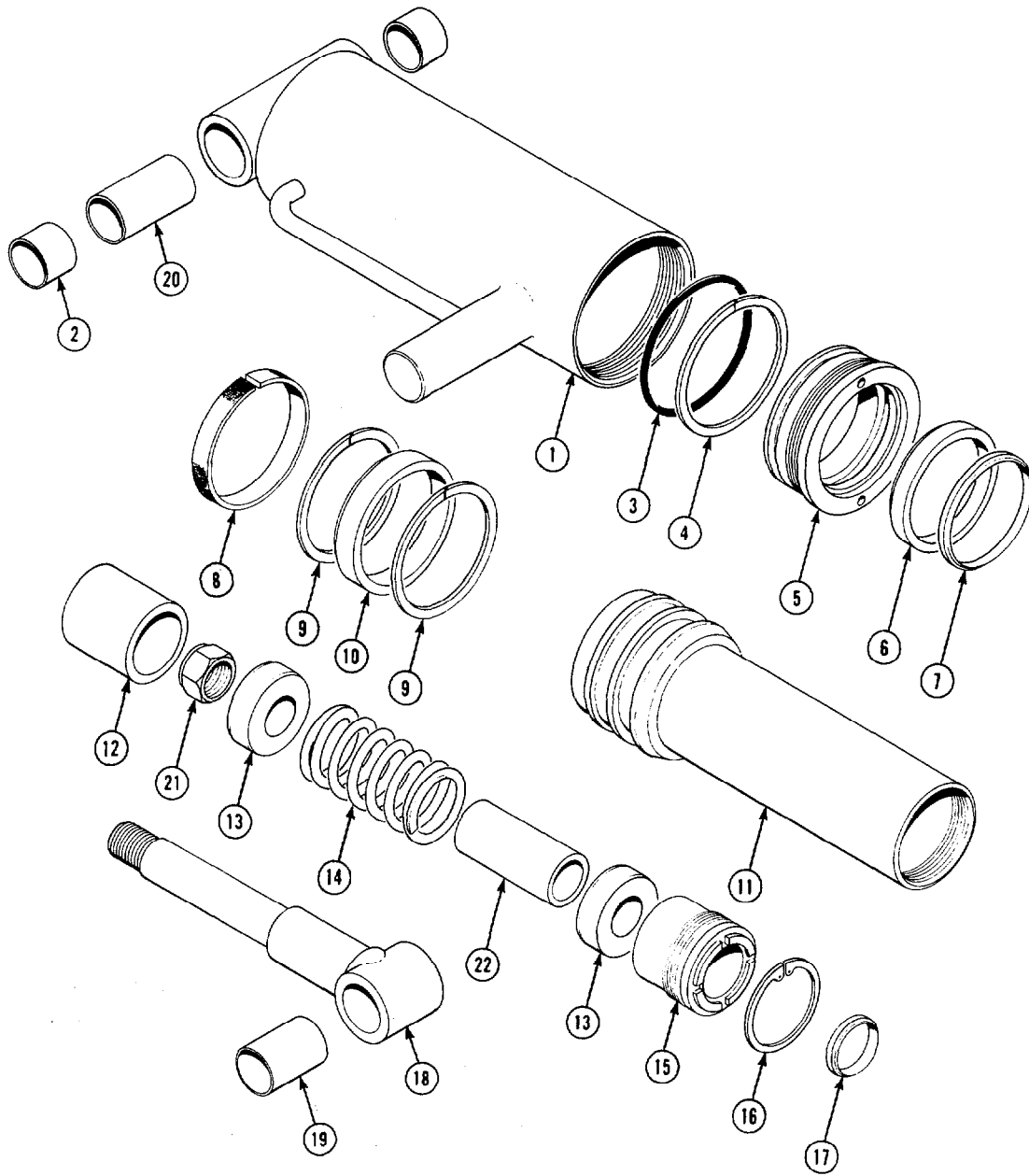
Revolving Connection



REF. NO.	QTY.	PART NO.	DESCRIPTION
		655576	Revolving Connection
1	2	661816	Valve Cartridge
•2	1	656035	Back-up Ring
•3	1	643374	O-Ring
•4	1	643373	O-Ring
•5	1	602733	Back-up Ring
•6	1	2708	O-Ring
7	1	7205	Snap Ring
8	1	659162	Body
••9	4	615128	Back-up Ring
••10	3	645592	O-Ring
11	1	662024	Shaft
•12	2	668927	Back-up Ring
		651876	Service Kit, Shaft Seals
		656223	Service Kit, Cartridge Seals

- Included in Cartridge Seal Service Kit 656223
- Included in Shaft Seal Service Kit 651876

Cylinder Assembly Long Arm



REF. NO.	QTY.	PART NO.	DESCRIPTION	REF. NO.	QTY.	PART NO.	DESCRIPTION
	1	660140	Cylinder Assembly	12	1	660145	Spacer
1	1	660141	Shell	13	2	659933	Piston Half
2	2	629315	Bushing	14	1	651480	Spring
•3	1	2801	O-Ring	15	1	659935	Retainer
•4	1	615144	Back-up Ring	16	1	659936	Snap Ring
5	1	659937	Retainer	•17	1	636854	Wiper Ring
•6	1	641478	Seal	18	1	659934	Rod
•7	1	636859	Wiper Ring	19	1	629313	Bushing
•8	1	636945	Bearing	20	1	651382	Sleeve
•9	2	660952	Ring, Nylon	21	1	5883	Nut
•10	1	641527	Seal	22	1	659902	Spacer
11	1	660143	Plunger Shell			660955	Kit, Cylinder Service

•Included in Cylinder Service Kit, 660955

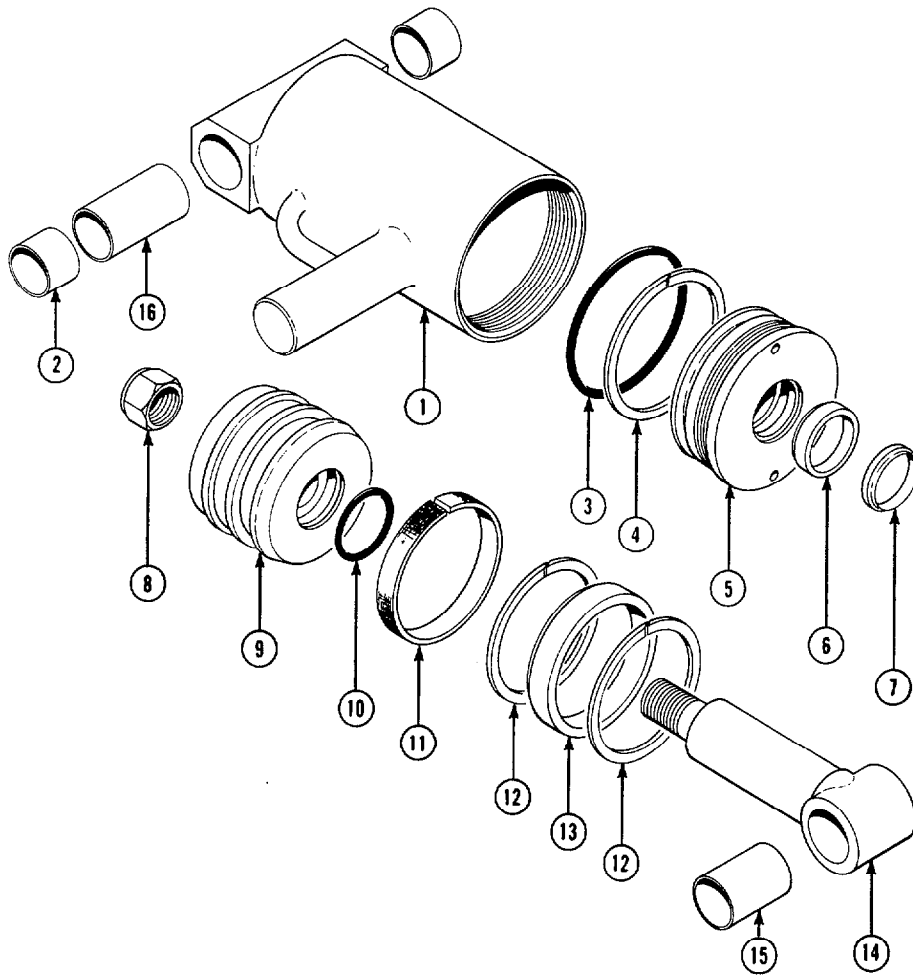


© Cascade Corporation 1983

Rev.

Form 5320

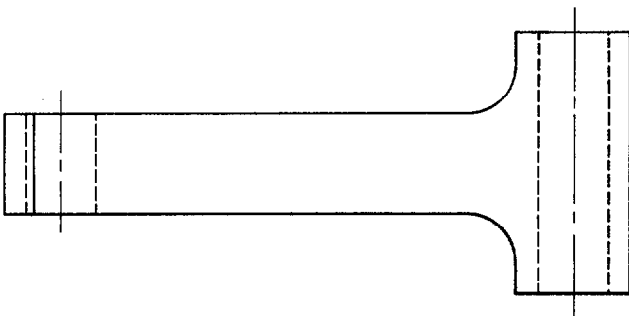
Cylinder Assembly Short Arm



REF. NO.	QTY.	PART NO.	DESCRIPTION	REF. NO.	QTY.	PART NO.	DESCRIPTION
	1	660148	Cylinder Assembly	9	1	659956	Piston
1	1	660149	Shell	●10	1	2784	O-Ring
2	2	629315	Bushing	●11	1	636943	Bearing
●3	1	2797	O-Ring	●12	2	660951	Nylon Ring
●4	1	615140	Back-up Ring	●13	1	641525	Seal
5	1	659957	Retainer	14	1	660151	Rod
●6	1	641471	Seal	15	1	629313	Bushing
●7	1	636854	Wiper Ring	16	1	651382	Sleeve
8	1	5883	Nut		1	660954	Kit, Cylinder Service

●Included in Service Kit

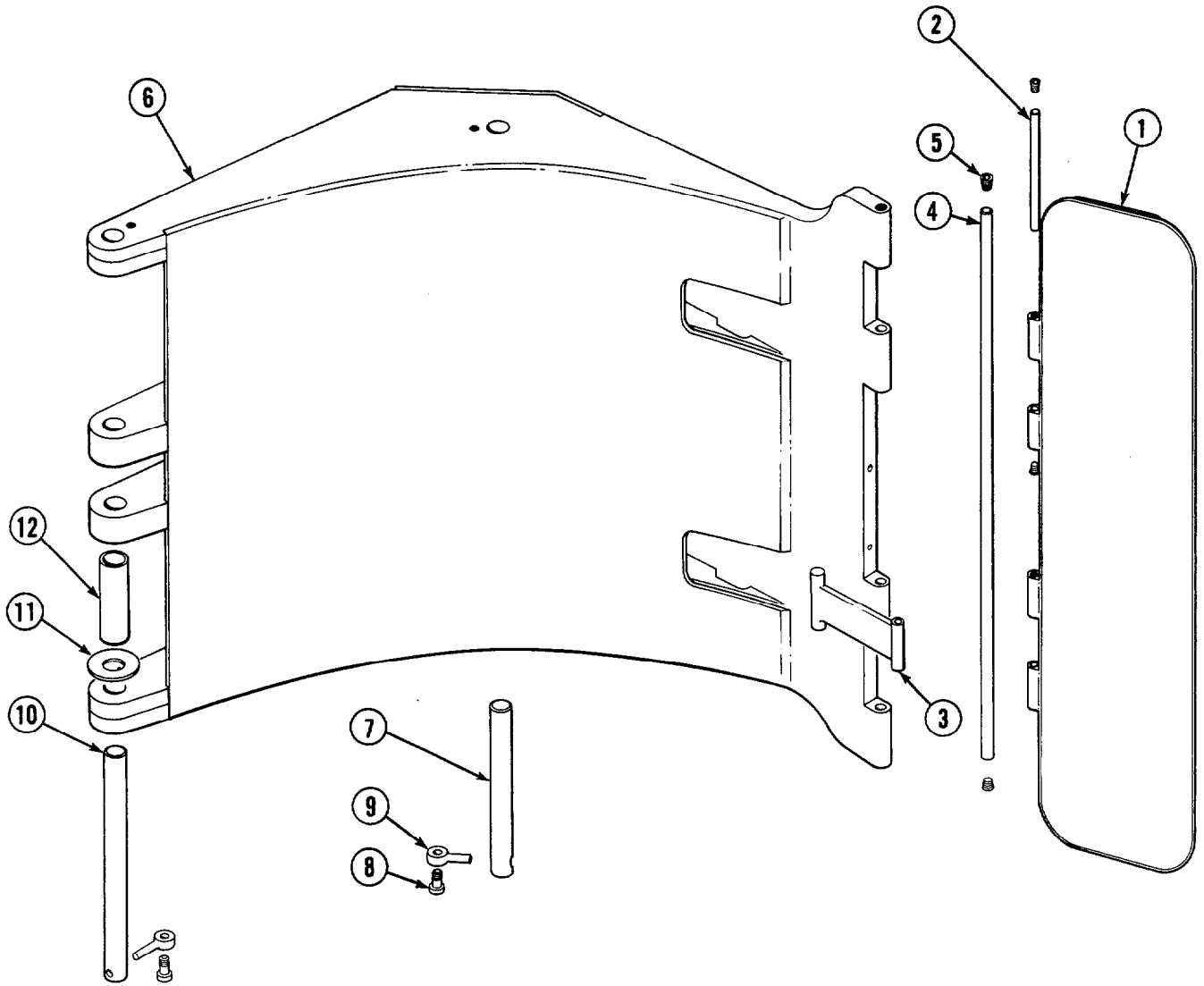
Rod Assembly Fixed Short Arm



REF. NO.	PART NO.	DESCRIPTION
-	660206	Rod



Long Arm

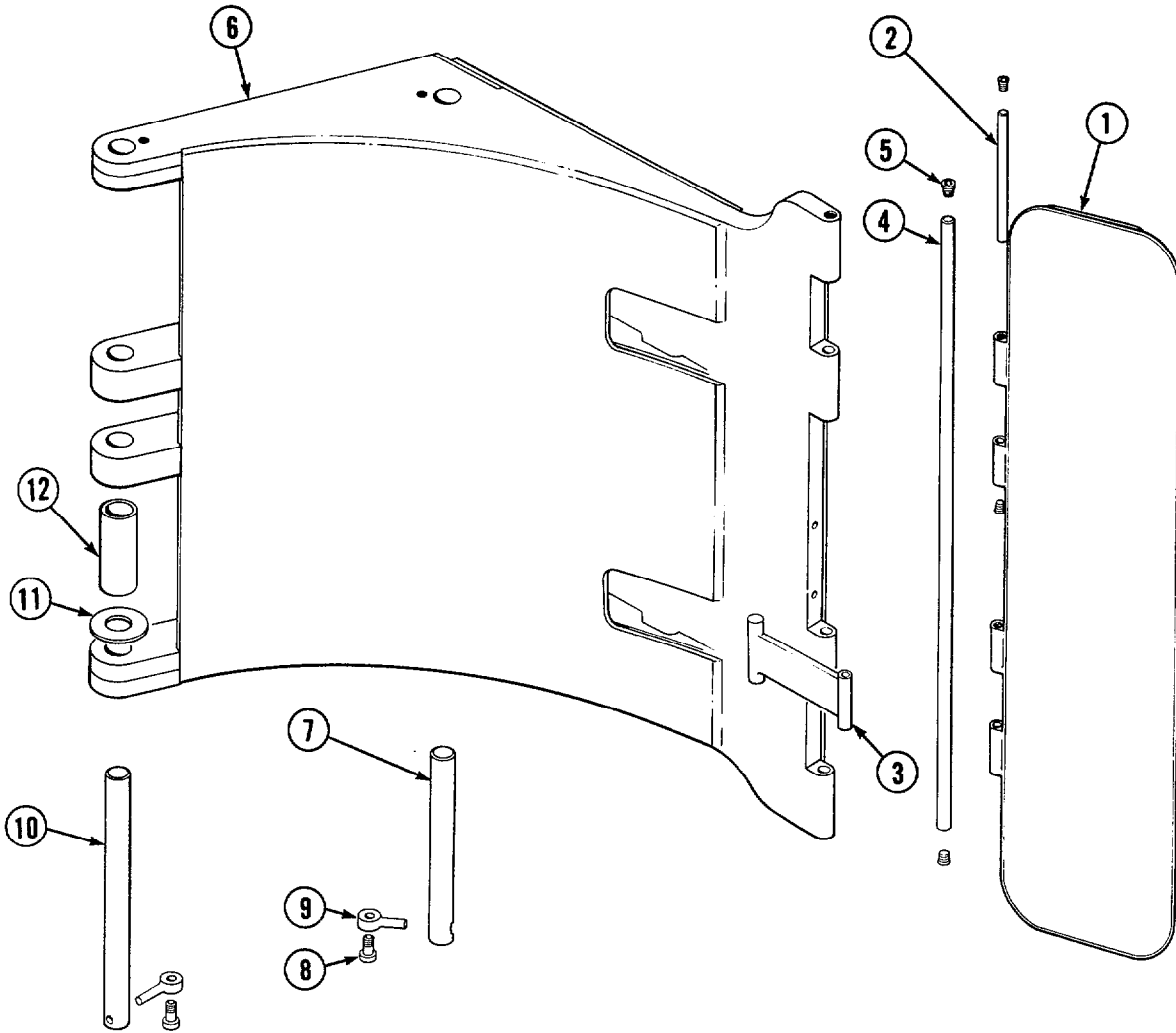


REF. NO.	QTY.	50" Maximum Roll Diameter	60" Maximum Roll Diameter	DESCRIPTION
		PART NO.	PART NO.	
		659642	660208	Arm Assembly
1	1	●660169	●660169	Contact Plate – Algrip
2	2	650846	650846	Pin
3	2	659644	660209	Link
4	1	660176	660176	Pin
5	6	651113	651113	Plug
6	1	659646	660211	Arm
7	2	661174	661174	Pin
8	4	651090	651090	Shoulder Bolt
9	4	651091	651091	Eye Bolt
10	2	651374	651374	Pin
11	2	660189	660189	Shim
12	2	661175	661175	Tube - Spacer

● Replacement Algrip Contact Surface 660171



Short Arm

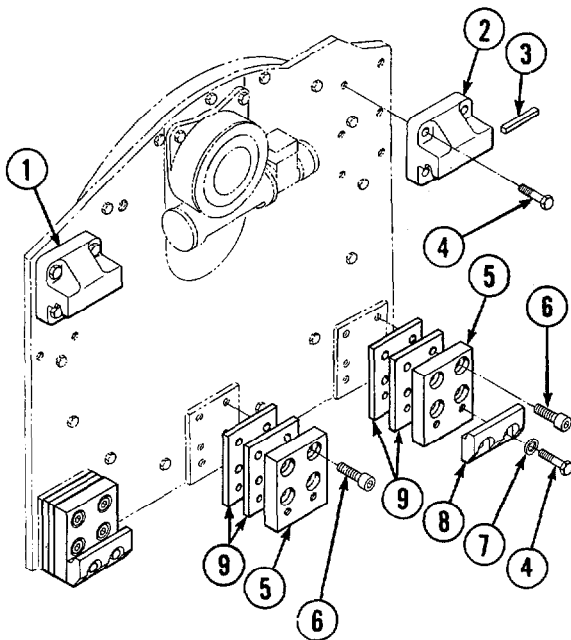
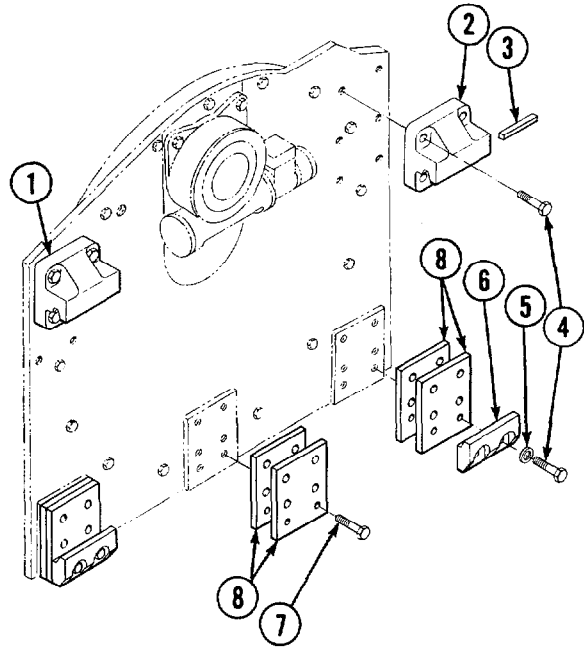


REF. NO.	QTY.	50" Maximum Roll Diameter	60" Maximum Roll Diameter	DESCRIPTION
		PART NO.	PART NO.	
		660285	660167	Arm Assembly
1	1	660169	660169	Contact Plate - Algrip
2	2	650846	650846	Pin
3	2	660287	660172	Link
4	1	660176	660176	Pin
5	6	651113	651113	Plug
6	1	660290	660177	Arm
7	2	661174	661174	Pin
8	4	651090	651090	Shoulder Bolt
9	4	651091	651091	Eye Bolt
10	2	651374	651374	Pin
11	2	660189	660189	Shim
12	2	661175	661175	Tube - Spacer

● Replacement Algrip Contact Surface 660171

Mounting Groups

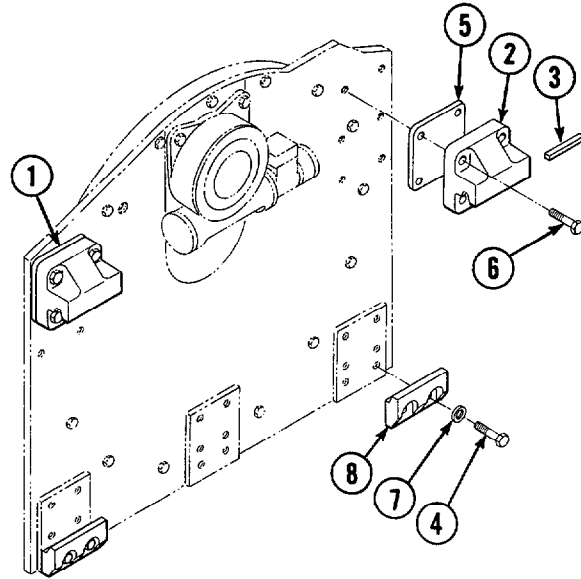
Class II, 4°			
REF. NO.	QTY.	PART NO.	DESCRIPTION
		673727	Mounting Group
1	1	670523	Upper Hook - L.H.
2	1	670524	Upper Hook - R.H.
3	1	669344	Stop Kit
4	12	667765	Capscrew
5	4	667225	Washer
6	2	667370	Lower Hook
7	2	667369	Capscrew
8	6	673725	Adapter Plate



Class II, 0°			
REF. NO.	QTY.	PART NO.	DESCRIPTION
		673728	Mounting Group
1	1	670523	Upper Hook - L.H.
2	1	670524	Upper Hook - R.H.
3	1	669344	Stop Kit
4	12	667765	Capscrew
5	3	670530	Adapter Plate
6	12	673803	Capscrew
7	4	667225	Washer
8	2	667370	Lower Hook
9	6	673725	Adapter Plate

Mounting Groups

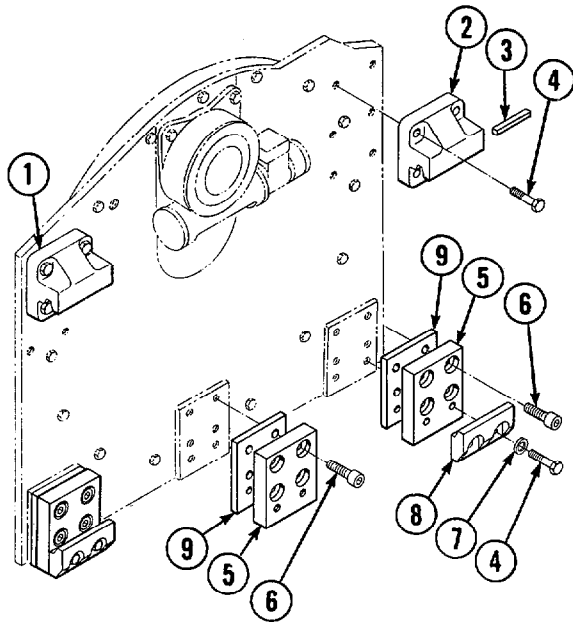
Class III, 4°			
REF. NO.	QTY.	PART NO.	DESCRIPTION
		673729	Mounting Group
1	1	670684	Upper Hook - L.H.
2	1	670685	Upper Hook - R.H.
3	1	669344	Stop Kit
4	4	667369	Capscrew
5	2	673726	Adapter Plate
6	8	667765	Capscrew
7	4	667225	Washer
8	2	667371	Lower Hook



IMPORTANT CHANGE

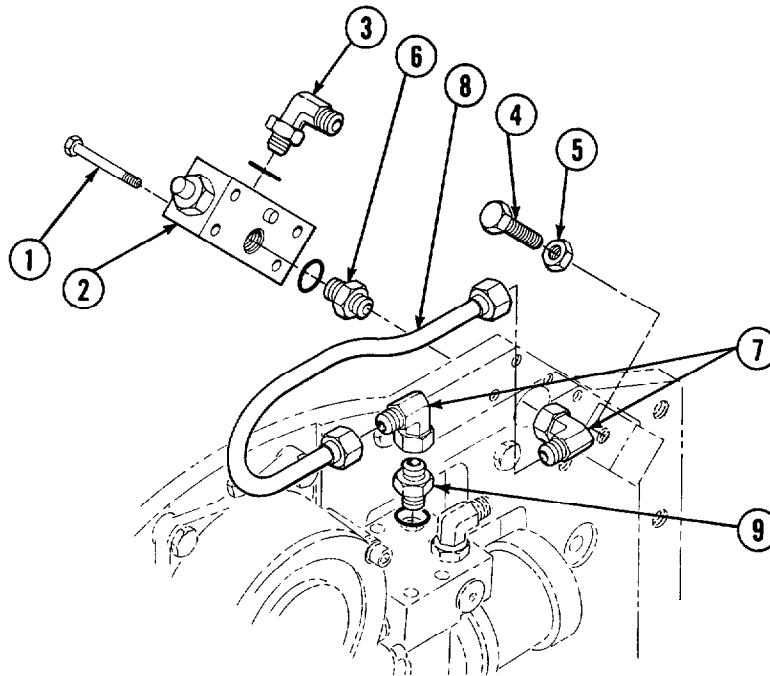
Upper hook part numbers for both mounting groups on this page should be as follows:

- 674024 Upper Hook - L.H.
- 674025 Upper Hook - R.H.



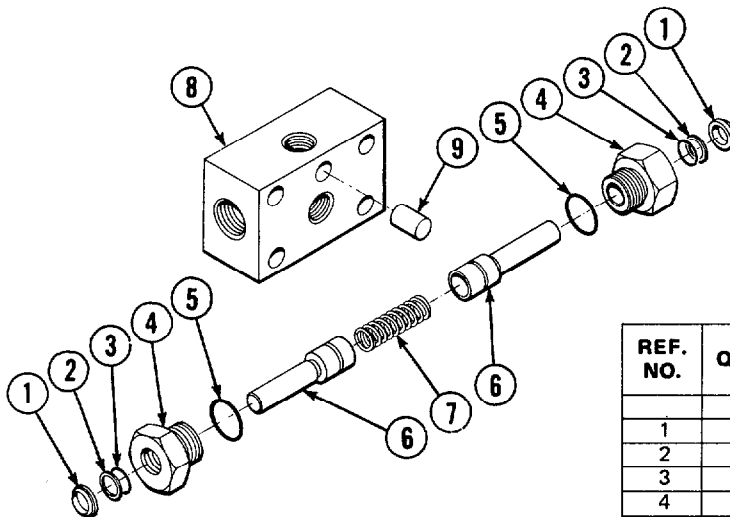
Class III, 0°			
REF. NO.	QTY.	PART NO.	DESCRIPTION
		673730	Mounting Group
1	1	670684	Upper Hook - L.H.
2	1	670685	Upper Hook - R.H.
3	1	669344	Stop Kit
4	12	667369	Capscrew
5	3	670530	Adapter Plate
6	12	622467	Capscrew
7	4	667225	Washer
8	2	667371	Lower Hook
9	3	673725	Adapter Plate

180° Stop Group



REF. NO.	QTY.	PART NO.	DESCRIPTION
		670545	Stop Group
1	4	670544	Cap screw
2	1	670537	Stop Valve Assembly
3	1	651303	Fitting
4	2	3735	Cap screw, 3/4 NC x 1.75
5	2	5933	Nut, 3/4 NC
6	1	662187	Fitting
7	2	605761	Fitting
8	1	670543	Tube Assembly
9	1	601377	Fitting

Stop Valve



REF. NO.	QTY.	PART NO.	DESCRIPTION
		670537	Stop Valve Assembly
1	2	670541	Wiper Ring
2	2	615006	Back-Up Ring
3	2	2702	O-Ring
4	2	670540	Gland
5	2	2841	O-Ring
6	2	670539	Plunger
7	1	670542	Spring
8	1	670538	Body
9	1	611210	Pin



NATIONAL
ASSOCIATION
OF SERVICE
MANAGERS