



Parts Manual

Model Push Pull

Serial Number 45E-PLB-144

cascade[®]

For Technical Assistance call: 800-227-2233, Fax: 888-329-8207

To Order Parts call: 888-227-2233, Fax: 888-329-0234

OR

Write: Cascade Corporation, P.O. Box 20187, Portland, OR 97220

Internet: www.cascorp.com

Publications



GA0006.eps

PART NO.	DESCRIPTION
	Parts Manual
686455	Service Manual
684945	Operators Guide
685531	Operators Pocket Guide
684944	Installation Instructions
680664	Servicing Cascade Cylinders-VHS
679929	Tool Catalog
673964	Literature Index Order Form

Decals



Optional Faceplate Extension



Part No. 679150
(1 Place & 1 optional)



Part No. 665595
(2 Place & 2 optional)



Part No. 656038
(6 Places)



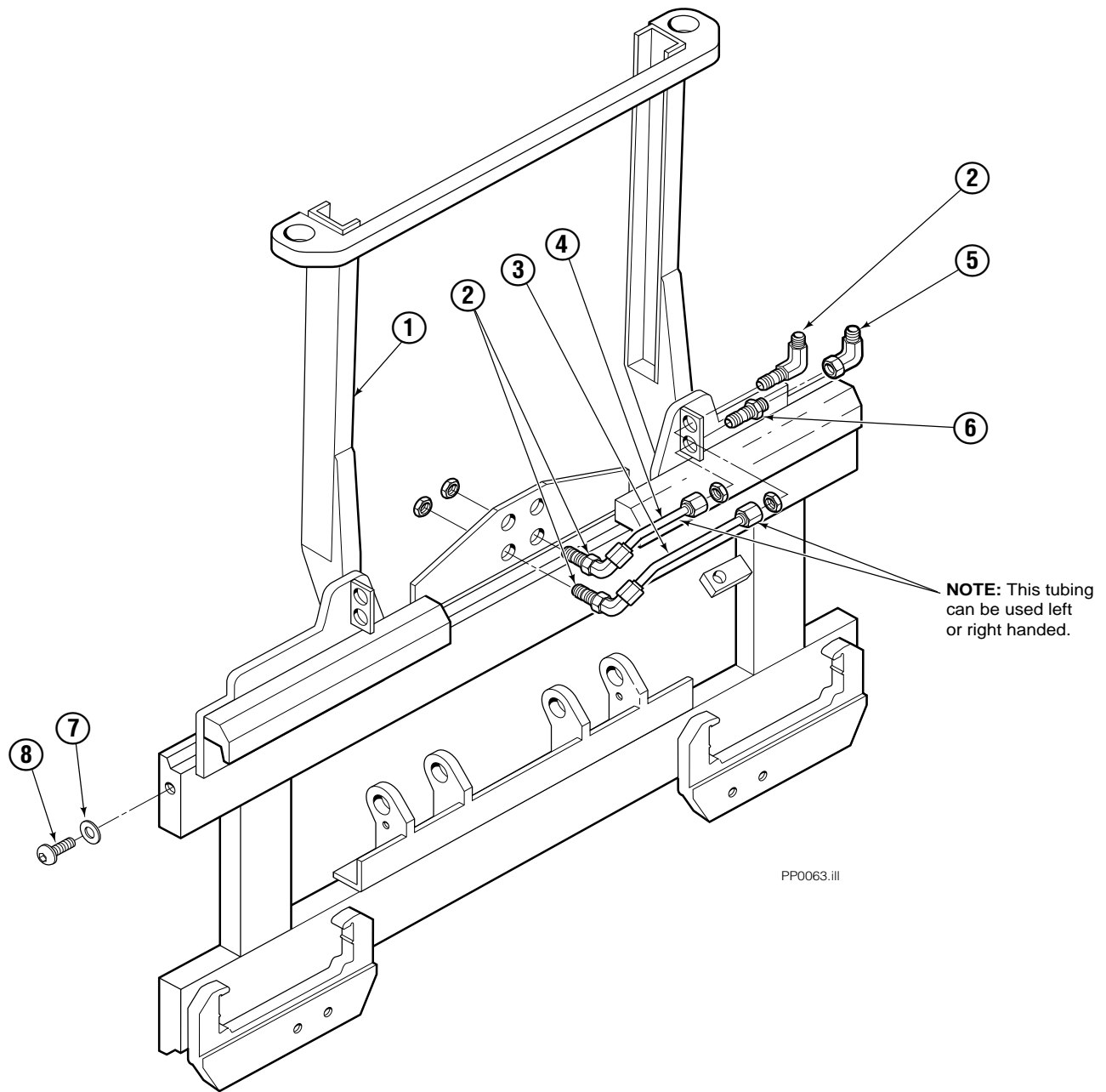
Part No. 679059
(1 Place if equipped with Quick Change Hooks)



Nameplate

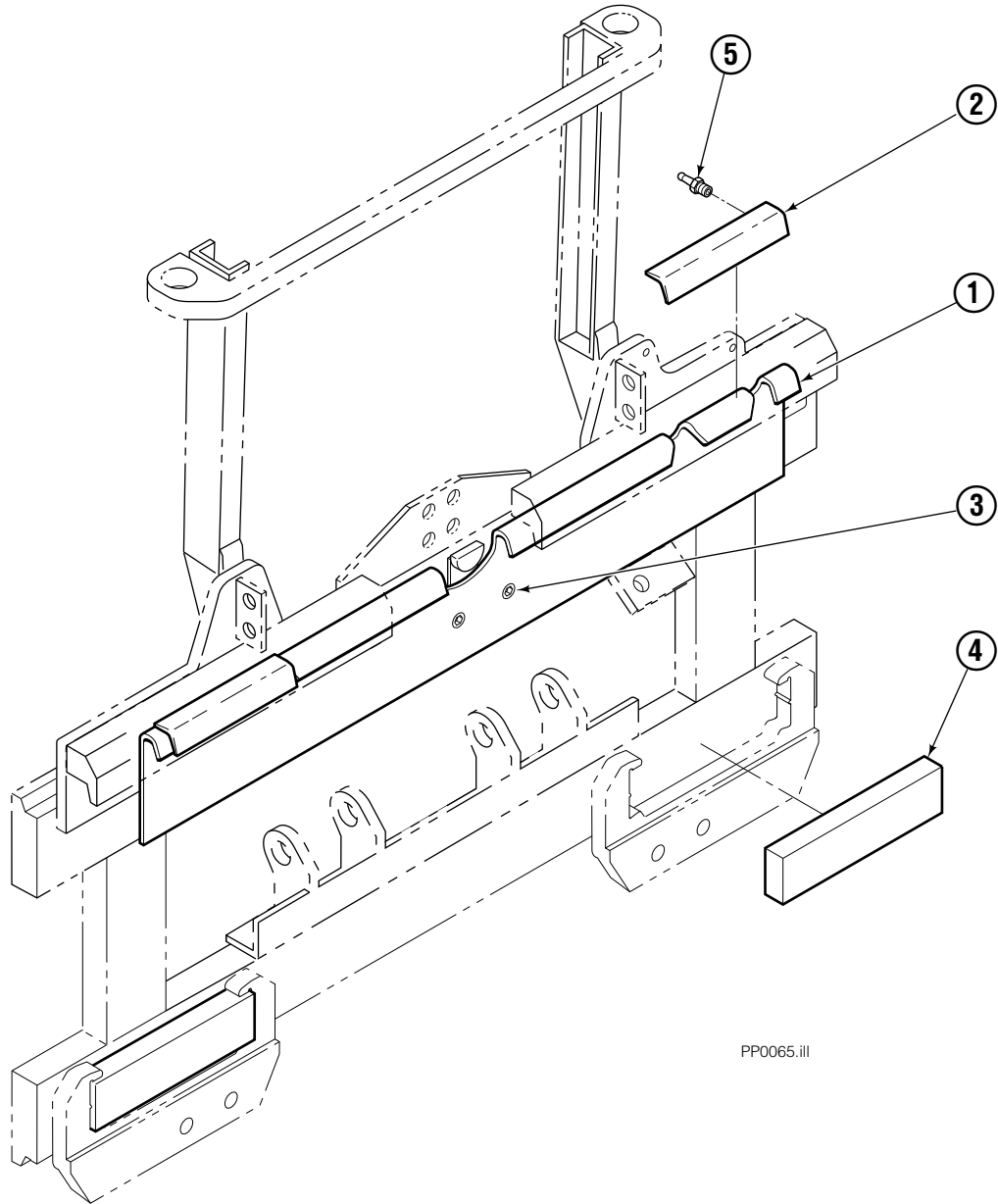
PP0060.iii

Frame Group ITA II



35E/45E			
REF	QTY	PART NO.	DESCRIPTION
		204649	Frame Group
1	1	204651	Frame
2	3	2453	Fitting, 6-6
3	1	686509	Tube
4	1	686510	Tube
5	1	2680	Fitting, 6-6
6	1	2375	Fitting, 6-6
7	2	683001	Washer
8	2	683142	Capscrew

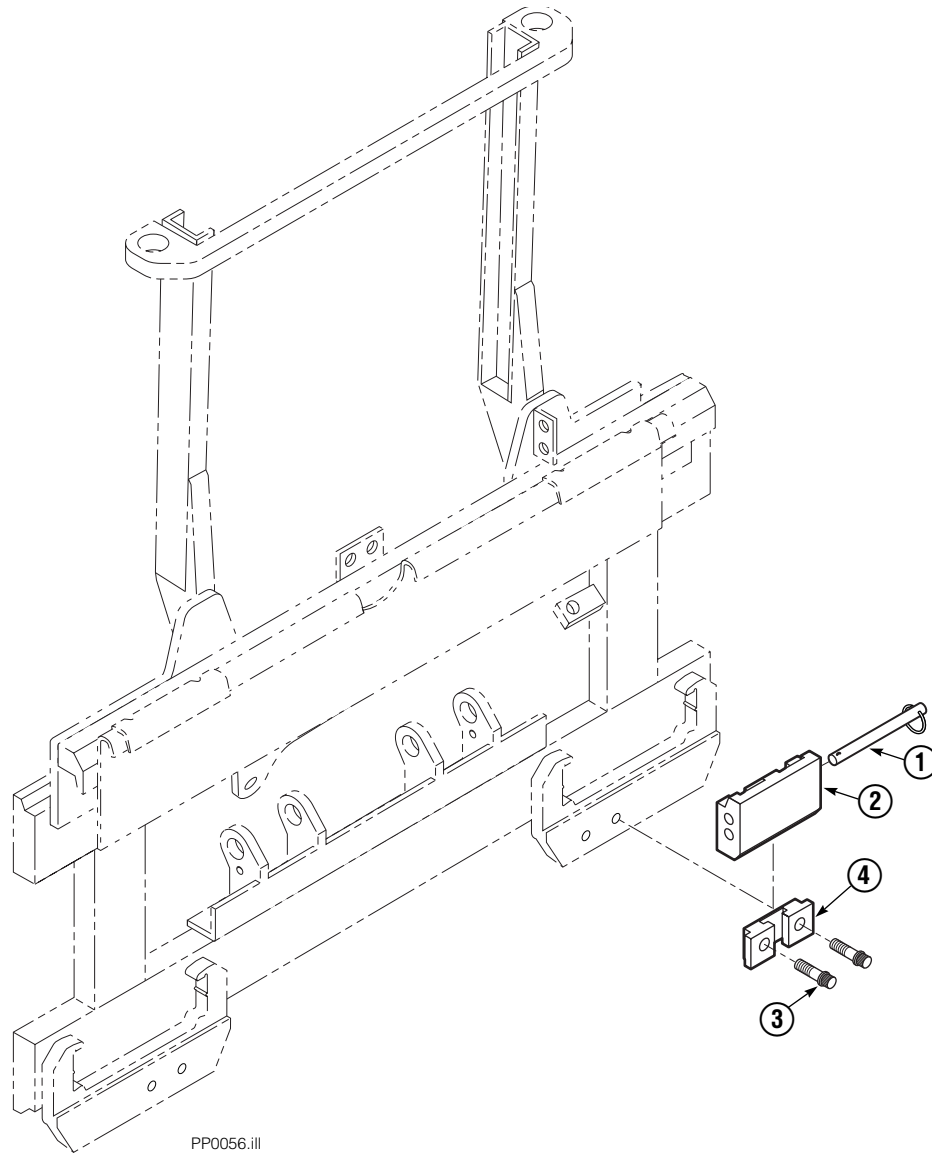
Non S/S Mounting Group ITA II



PP0065.ill

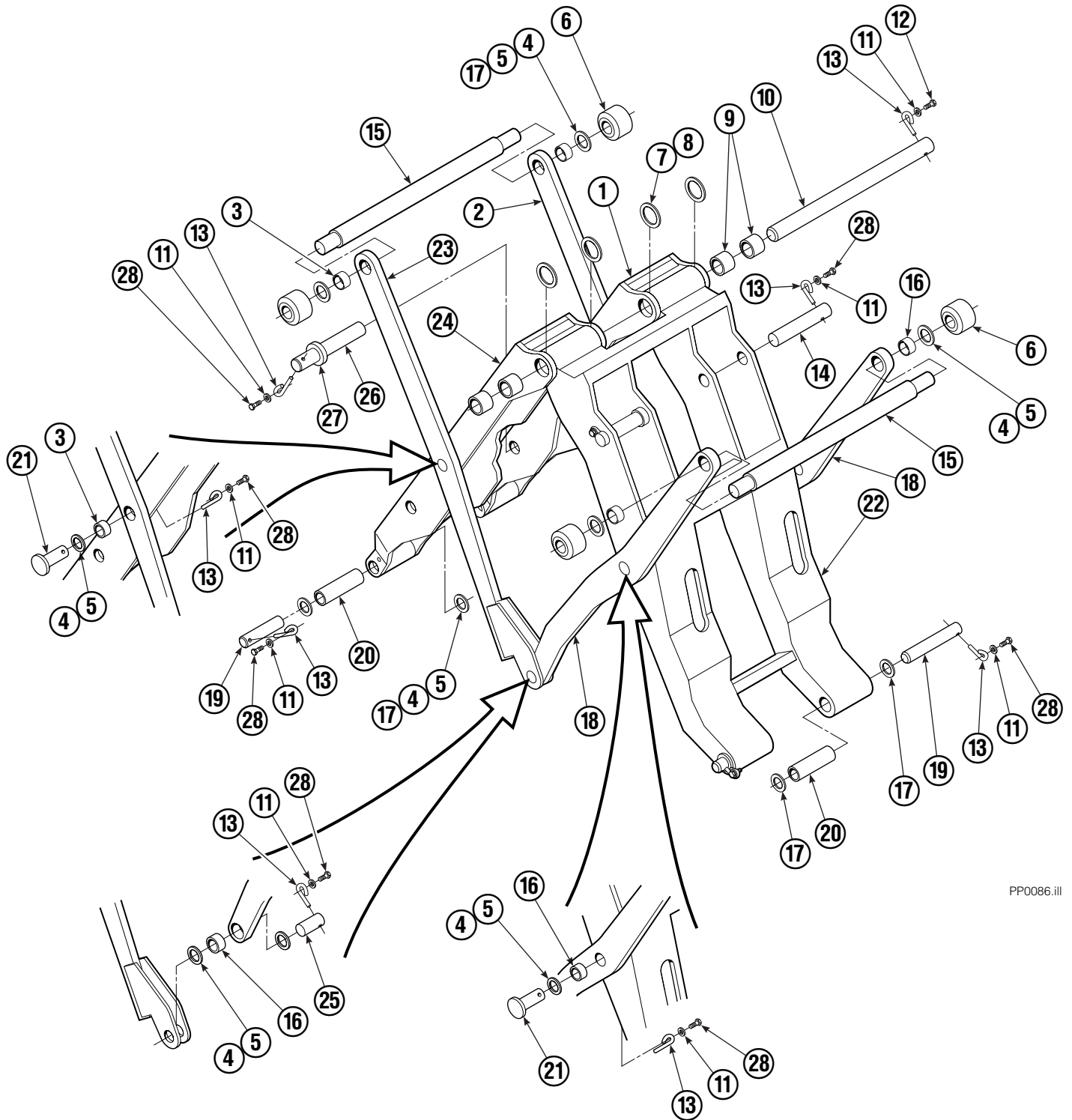
35E/45E			
REF	QTY	PART NO.	DESCRIPTION
		682832	Mounting Group-39" Wide
1	1	682550	Anchor Bracket-39" Wide
2	2	671165	Bearing Segment
3	2	768759	Setscrew
4	2	682814	Bearing
5	4	7403	Grease Fitting

Quick-Change Lower Hook Group ITA II



35E/45E			
REF	QTY	PART NO.	DESCRIPTION
		683179	Lower Hook Group ITA II
1	2	678832	Pin
2	2	675514	Hook
3	4	683182	Capscrew
4	2	675515	Guide

Mechanism Group



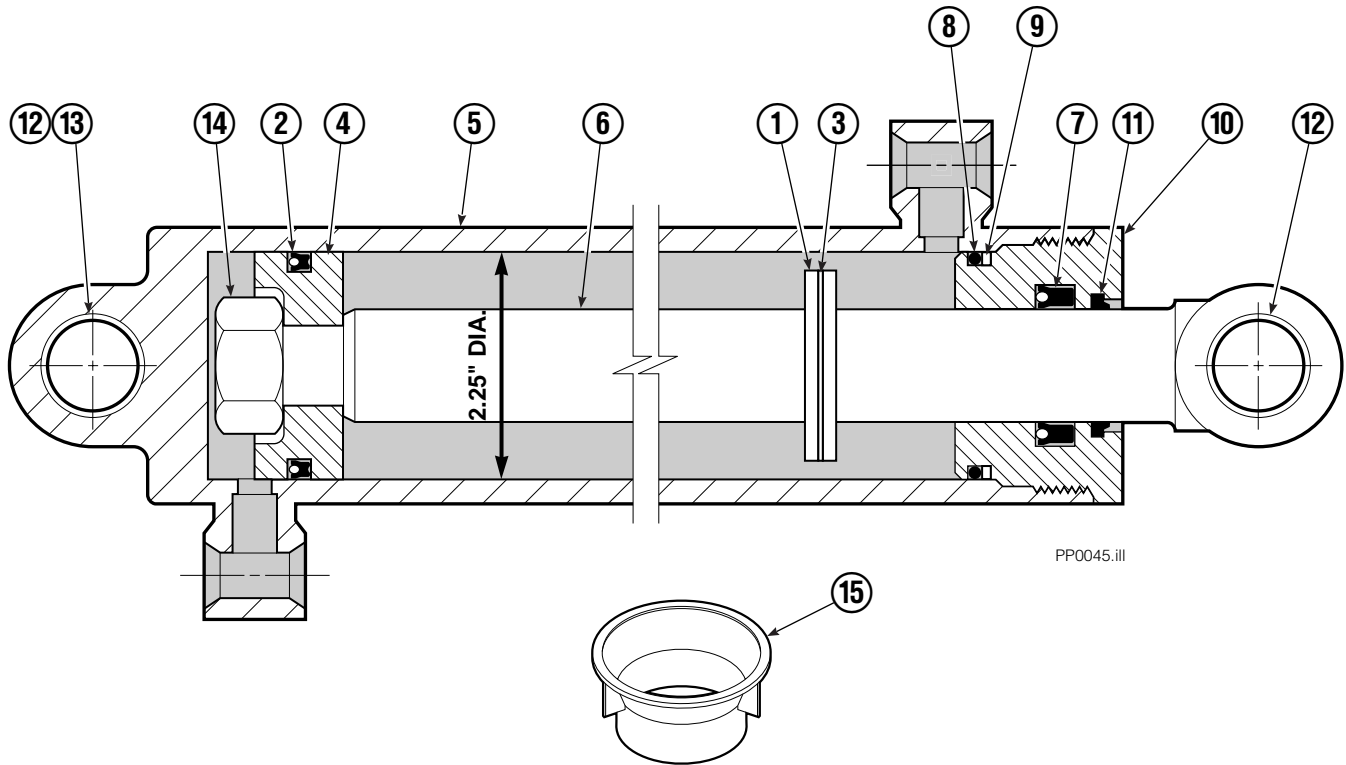
PP0086.iii

Mechanism Group

35E/45E			
REF	QTY	PART NO.	DESCRIPTION
		204644	Mechanism Group
1	1	204691	Arm-Inner Secondary R. H.
2	1	204692	Arm-Secondary Outer R. H.
3	4	683154	■ Bushing
4	●	683161	Shim (.030)
5	●	683162	Shim (.060)
6	4	205070	Roller
7	●	683163	Shim (.030)
8	●	683164	Shim (.060)
9	4	683155	■ Bushing
10	1	682821	Pin
11	15	6229	Washer
12	2	685661	Capscrew
13	15	682999	Eye-Pin
14	2	682822	Pin-Head
15	2	205065	Pin
16	6	683153	■ Bushing
17	●	204532	Shim (.12)
18	2	204694	Arm-Outer Primary
19	4	204533	Pin-Frame
20	4	204535	■ Bushing
21	4	204695	Pin
22	1	204604	Arm-Inner Primary
23	1	204693	Arm-Secondary Outer L. H.
24	1	204690	Arm-Inner Secondary L. H.
25	2	204696	Pin-Outer
26	2	682823	Pin-Rod
27	2	683165	Spacer
28	13	767961	Capscrew

- Quantity as required.
- Included in Bushing Service Kit 205075.

Cylinder

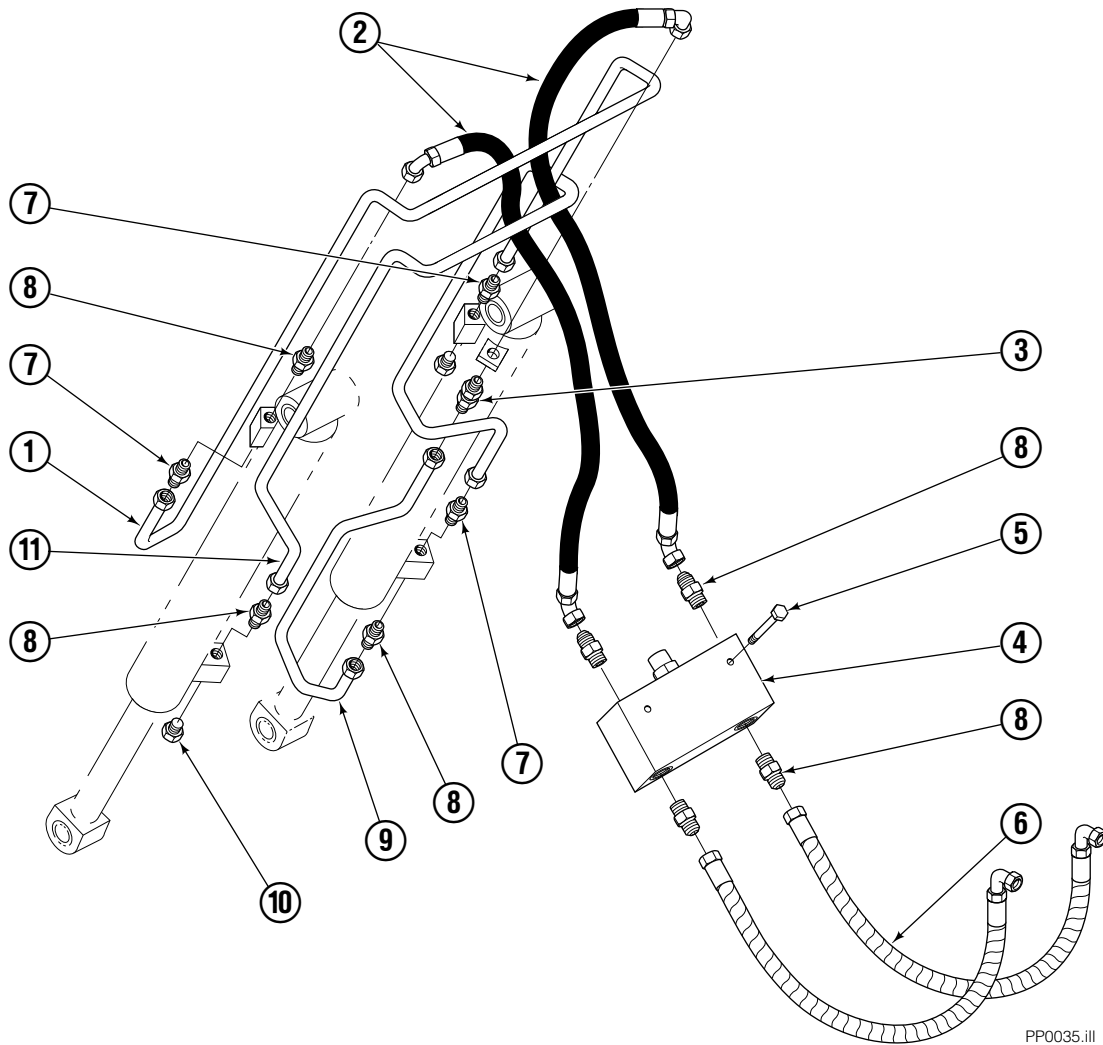


REF	QTY	PART NO.	DESCRIPTION
		582636	Cylinder Assembly
1	1	-	Spacer
2	1	564159	Seal ■
3	1	7348	Snap Ring
4	1	564161	Piston
5	1	562717	Shell
6	1	558626	Rod
7	1	662448	Seal ■
8	1	2787	O-Ring ■
9	1	615130	Back-Up Ring ■
10	1	558628	Retainer
11	1	636853	Wiper ■
12	4	559697	Bearing
13	1	559698	Spacer
14	1	678019	Nut
15	1	671048	Seal Loader Kit ■

■ Included in Service Kit 562339.

Ref: S-3424

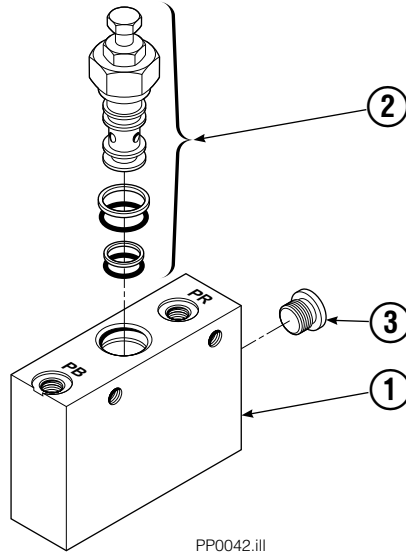
Hydraulic Group



35E/45E			
REF	QTY	PART NO.	DESCRIPTION
		688382	Hydraulic Group ITA II
1	1	200649	Tube
2	2	683173	Hose
3	1	2375	Fitting, 6-6
4	1	688384	■ Valve
5	2	765329	Capscrew, M8x1.25x20-8.8
6	2	685980	Hose ITA II
7	4	605235	Fitting 5-6
8	6	604511	Fitting, 6-6
9	1	200647	Tube
10	2	604510	Plug, 6
11	1	200648	Tube

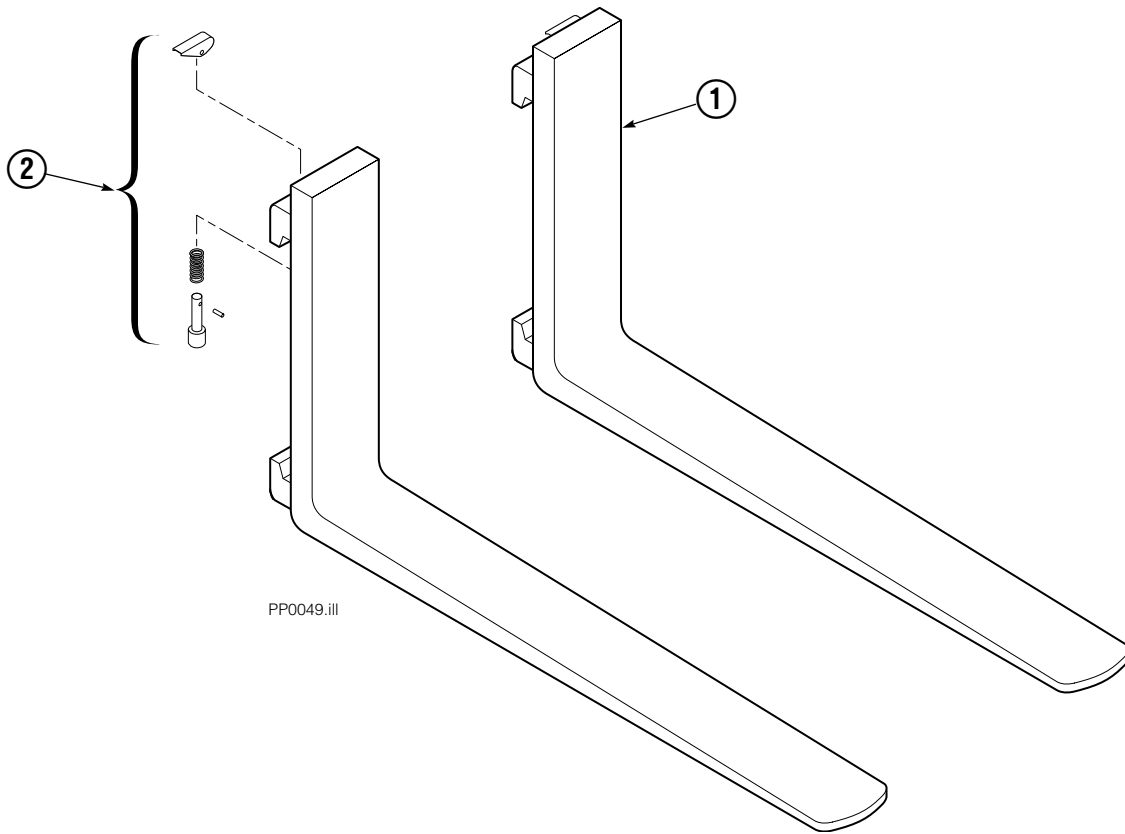
■ See Valve page for parts breakdown.

Valve Load Push



35E/45E			
REF	QTY	PART NO.	DESCRIPTION
		688384	Valve Assembly
1	1	688385	Body
2	1	687224	Relief Valve
3	2	663694	Fitting, 3

Forks

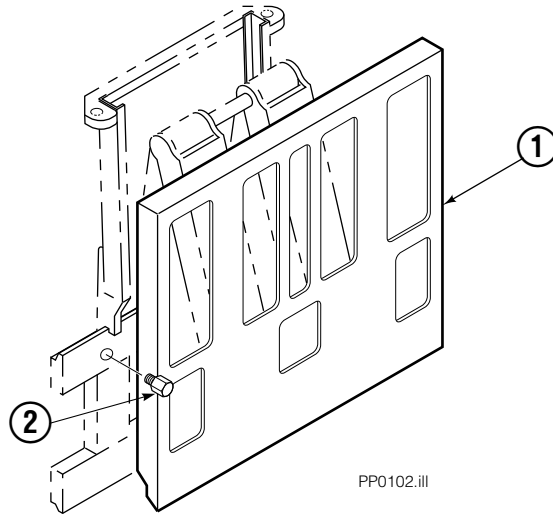


Note: Usable platen lengths are determined by measuring from the faceplate (fully retracted position) to the fork tip or total fork length minus 3".

REF	QTY	PART NO.	DESCRIPTION
		351750	Fork Group
1	2	351613	Fork
2	2	685592	Pin Assembly

Ref: S-3378

Faceplate Group Push



35E/45E			
REF	QTY	PART NO.	DESCRIPTION
		204635	Faceplate Group - 40" x 40" ★
1	1	204636	Faceplate - 40" x 40" ★
2	2	682850	Stop

★ Width x height.

Do you have questions you need answered right now? Call your nearest Cascade Parts Department.

Cascade Corporation
2501 Sheridan Avenue
Springfield, OH 45505
Tel: 888-CASCADE (227-2233)
FAX: 888-329-0234
www.cascorp.com

Cascade Canada Inc.
5570 Timberlea Blvd.
Mississauga, Ontario
Canada L4W-4M6
Tel: 905-629-7777
FAX: 905-629-7785

Cascade GmbH
D-41199 Monchengladbach
Klosterhofweg 52
Germany
Tel: 21-66-602091
FAX: 21-66-680947

Cascade Finland
01370 Vantas
Finland
Tel: 358-0-836-1925
FAX: 358-0-836-1935

**Cascade N.V.
European Headquarters**
P.O. Box 3009
1300 El Almere
Damsluisweg 56
1332 ED Almere
The Netherlands
Tel: 31-36-5492911
FAX: 31-36-5492964

**Cascade N.V.
Benelux Sales and Service**
P.O. Box 3009
1300 El Almere
Damsluisweg 56
1332 ED Almere
The Netherlands
Tel: 31-36-5492950
FAX: 31-36-5492974

Cascade (UK) Ltd.
15, Orgreave Crescent
Dore House Industrial Estate
Handsworth
Sheffield S13 9NQ
England
Tel: 742-697524
FAX: 742-695121

**Cascade Scandinavia
Hydraulik A.B.**
Muskötgatan 19, E8-9
S25466 Helsingborg
Sweden
Tel: 42-151135
FAX: 42-152997

Cascade Norway
Østerliveien 37A
1153 Oslo
Norway
Tel: 47-22-743160
FAX: 47-22-743157

Cascade France S.A.R.L.
11, Rue Jean Charcot
Zone Industrielle Sud or
B.P. 22
91421 Morangis Cedex
France
Tel: 1- 64547501
FAX: 1-9790584

Cascade Hispania S.A.
Avenida De La Fabregada, 7
Hospitalet De Llobregat
Barcelona
Spain
Tel: 3-335-5158
FAX: 3-335-4756

Cascade Japan Ltd.
5-5-41,
Torikai Kami
Settsu, Osaka
Japan, 566
Tel: 81-726-53-3490
FAX: 81-726-53-3497

Cascade Korea
Room 508, Pum Yang Bldg.
750-14, Bang Bac-Dong
Se-Cho Ku, Seoul
Korea
Tel: 2599-7131 ext. 512
FAX: 2533-8089

HYCO-Cascade Pty. Ltd.
1445 Ipswich Road
Rocklea,
Queensland 4107
Australia
Tel: 3-274-2722
FAX: 3-274-3456

HYCO-Cascade (NZ) Ltd.
15 Ra Ora Drive, East Tamaki
P.O. Box 38-440
Howick, Auckland
New Zealand
Tel: 9-273-9136
FAX: 9-273-9137

Cascade (Africa) Pty. Ltd.
P.O. Box 625, Isando 1600
60A Steel Road
Sparton, Kempton Park
South Africa
Tel: 975-9240
FAX: 394-1147

Cascade-Xiamen
Wanshan No. 1 Workshop
Huli Road
Xiamen 361006
Fujian, PRC
Tel: 592-562-4600
FAX: 592-562-4671

**Cascade (Singapore)
Trading Co.**
Four Seasons Park
Autumn Block - Apt. 1802
12 Cascaden Walk
Singapore
Tel: 65-834-1935
FAX: 65-834-1936

