



Parts Manual

Model 20D-CC-01Q

Serial Number 678854

cascade[®]
corporation

For Technical Assistance call: 800-227-2233, Fax: 888-329-8207

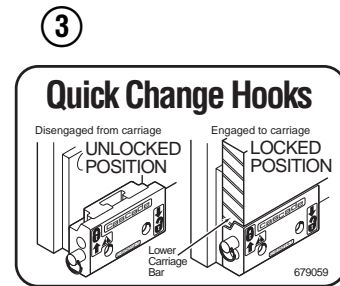
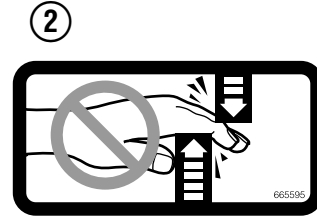
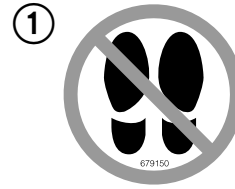
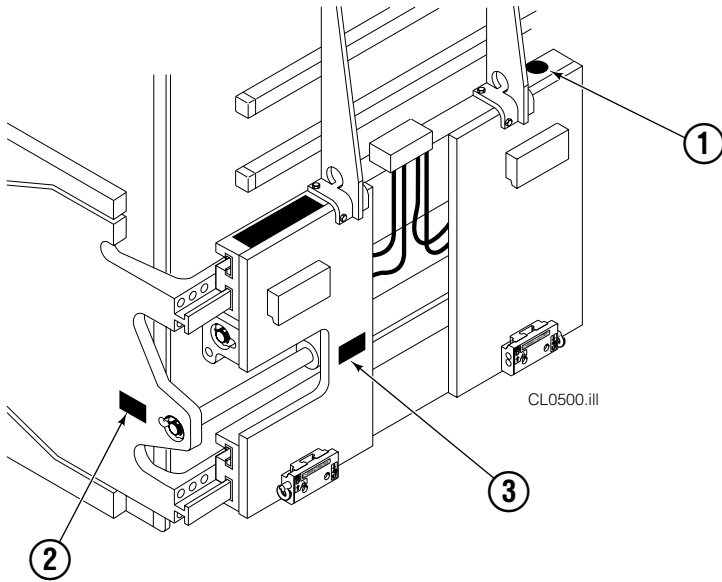
To Order Parts call: 888-227-2233, Fax: 888-329-0234

OR

Write: Cascade Corporation, P.O. Box 20187, Portland, OR 97220

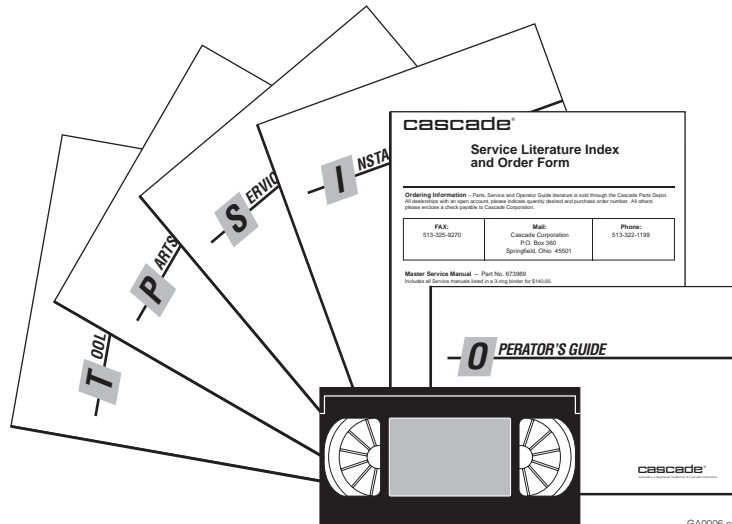
Internet: www.cascorp.com

Safety Decals



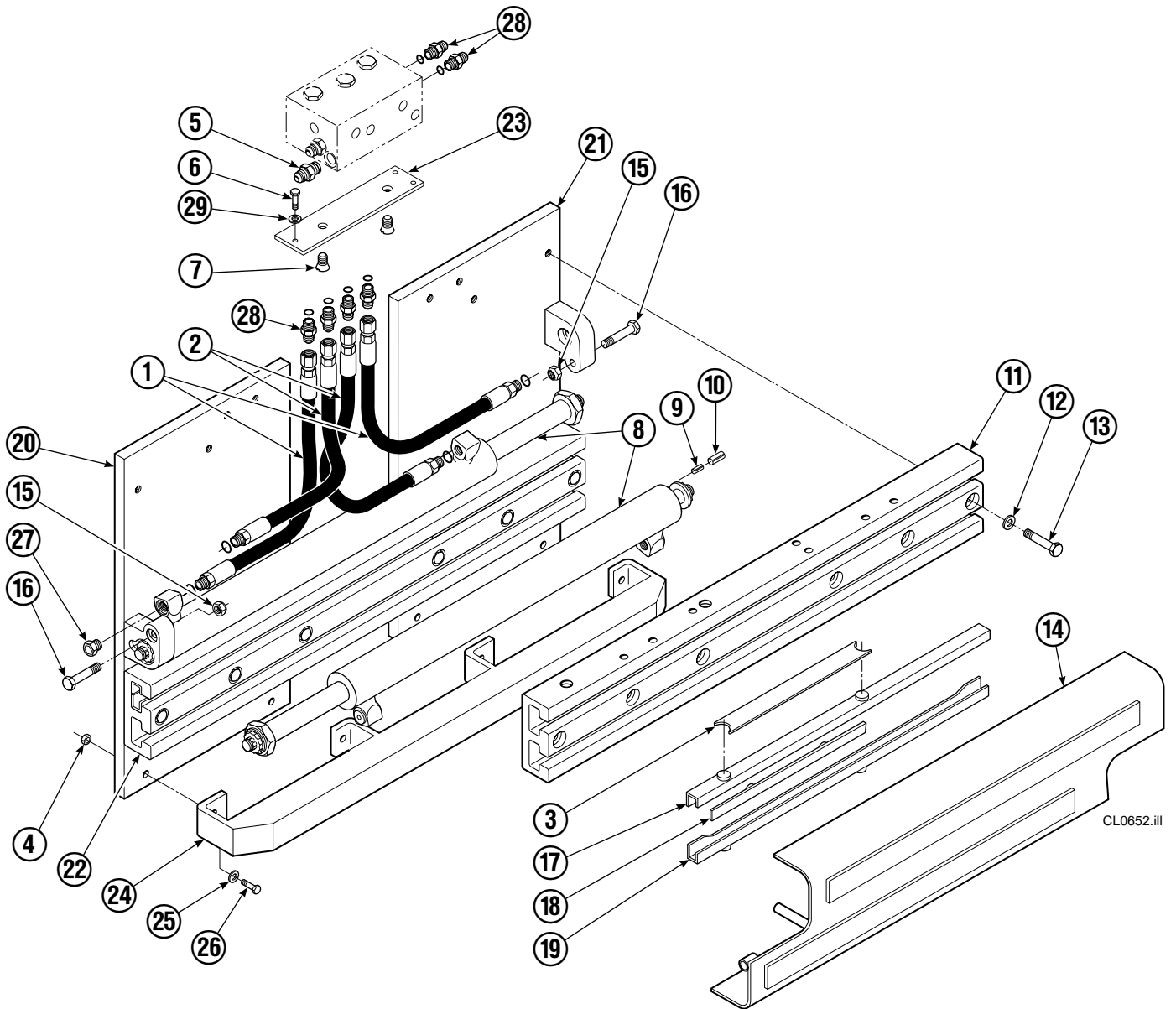
REF	QTY	PART NO.	DESCRIPTION
1	1	679150	No Step Decal
2	2	665595	No Hand Hold Decal
3	1	679059	Quick Change Hook Decal

Publications



PART NO.	DESCRIPTION
670487	Service Manual
670834	Operators Guide
670488	Installation Instructions
680664	Servicing Cascade Cylinders-VHS
679929	Tool Catalog
673964	Literature Index Order Form

Base Unit Group



CL0652.ill

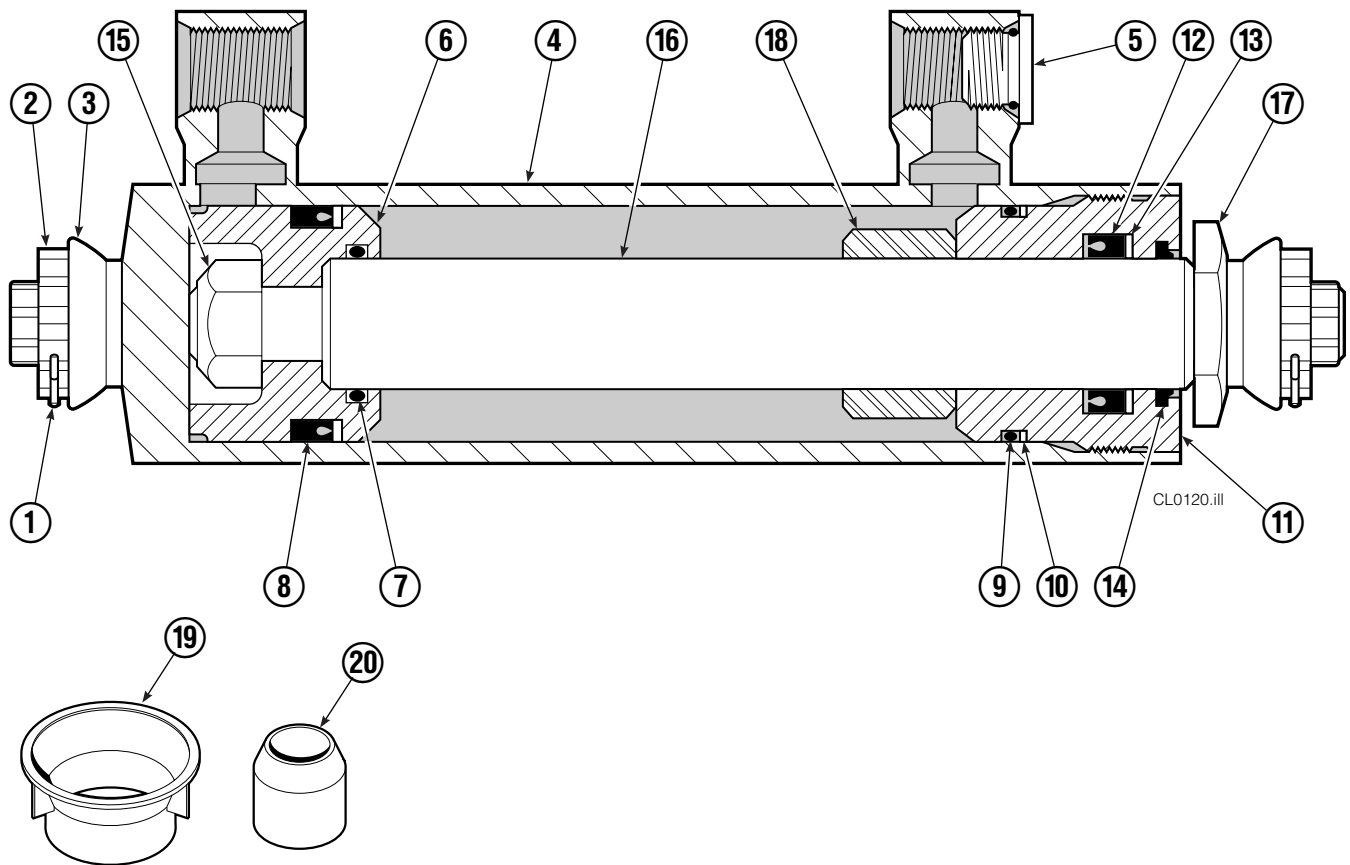
20D							
REF	QTY	PART NO.	DESCRIPTION	REF	QTY	PART NO.	DESCRIPTION
1	2	207425	Hose, 24.00 in.	16	2	633523	Capscrew, 1/2 NC x 2.50
2	2	675055	Hose, 17.50 in.	17	4	208858	Bearing
3	1	675326	Shim Kit ●	18	4	667663	Bearing
4	4	665707	Nut	19	4	208857	Bearing
5	1	601377	Fitting, 8-8	20	1	678937	Mounting Plate - RH
6	2	666262	Capscrew, 3/8 NC x .75	21	1	678936	Mounting Plate - LH
7	2	4750	Capscrew, 3/8 NC x .75	22	1	674168	Frame - Lower
8	2	671570	Cylinder ▲	23	1	669957	Plate
9	2	7861	Roll Pin - Inner	24	1	671545	Lower Bumper
10	2	7962	Roll Pin - Outer	25	4	6205	Washer, 1/2 in. ID
11	1	671549	Frame - Upper	26	4	640013	Capscrew, 1/2 NC x 1.75
12	8	667910	Washer	27	4	616994	Fitting, 8
13	8	667909	Capscrew	28	10	611288	Fitting, 6-8
14	1	672331	Bumper	29	2	6288	Washer
15	2	665707	Nut, 1/2 in. ID				

● Includes two .015 Shims and eight .020 Shims.

▲ See Cylinder page for parts breakdown.

Reference: Basic Group 678850, S-3197, S-4044.

Cylinder



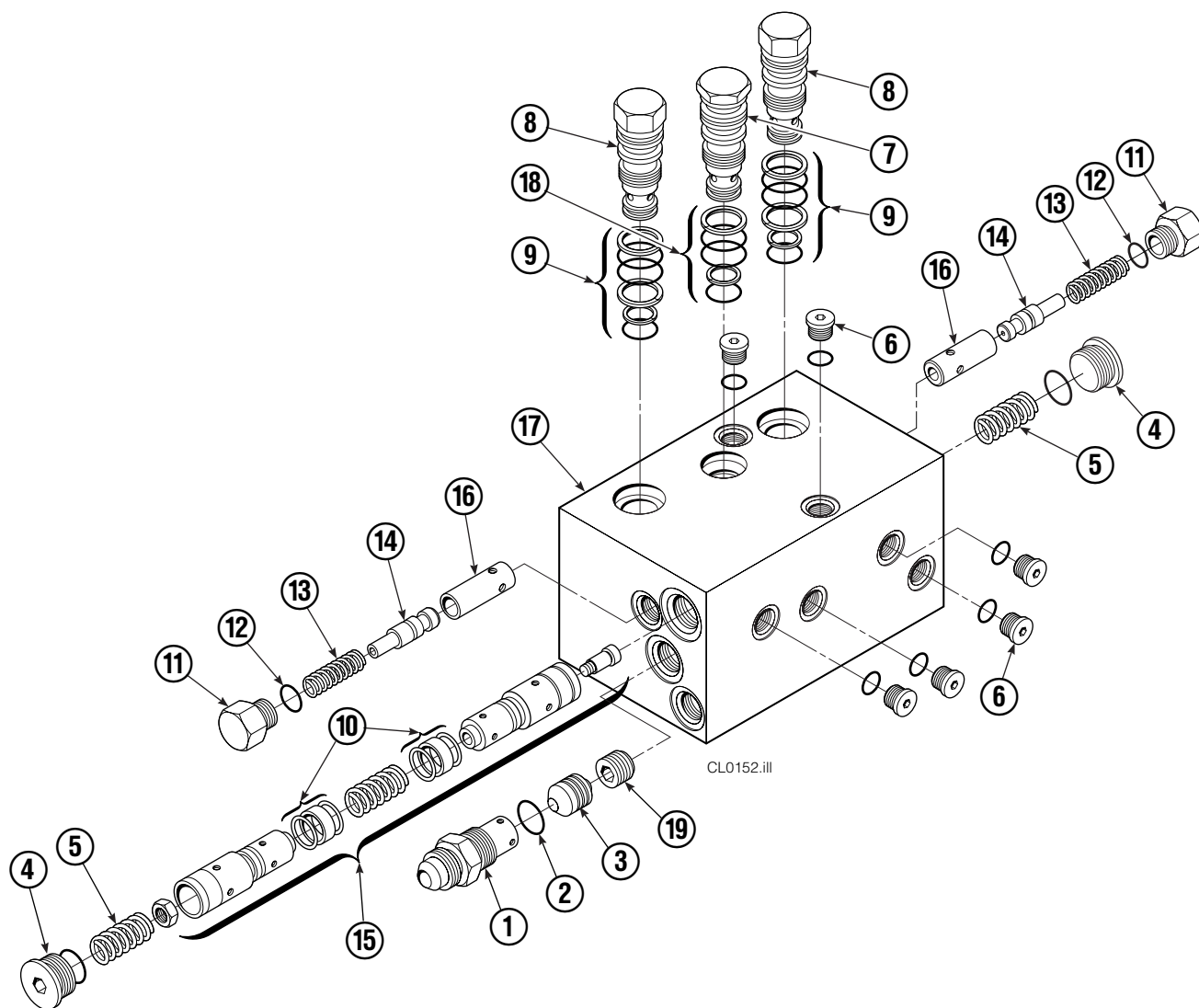
20D			
REF	QTY	PART NO.	DESCRIPTION
		671570	Cylinder Assembly
1	2	6510	Cotter Pin ■
2	2	667624	Nut Retainer ■
3	2	667625	Nut ■
4	1	671572	Shell
5	1	602580	Fitting
6	1	558200	Piston
7	1	2716	O-Ring ▲
8	1	662452	Seal ▲
9	1	2785	O-Ring ▲
10	1	615128	Back-Up Ring ▲
11	1	563906	Retainer
12	1	662448	Seal ▲
13	1	638243	Nylon Ring ▲
14	1	636853	Wiper ▲
15	1	667623	Nut
16	1	667623	Rod
17	1	667626	Washer
18	1	—	Spacer
19	1	671047	Seal Loader, Piston ▲
20	1	671051	Seal Loader, Retainer ▲
		668021	Service Kit

▲ Included in Service Kit 668021.

■ Included in Nut Service Kit 668926.

Reference: S-7605, S-7658

Check Valve



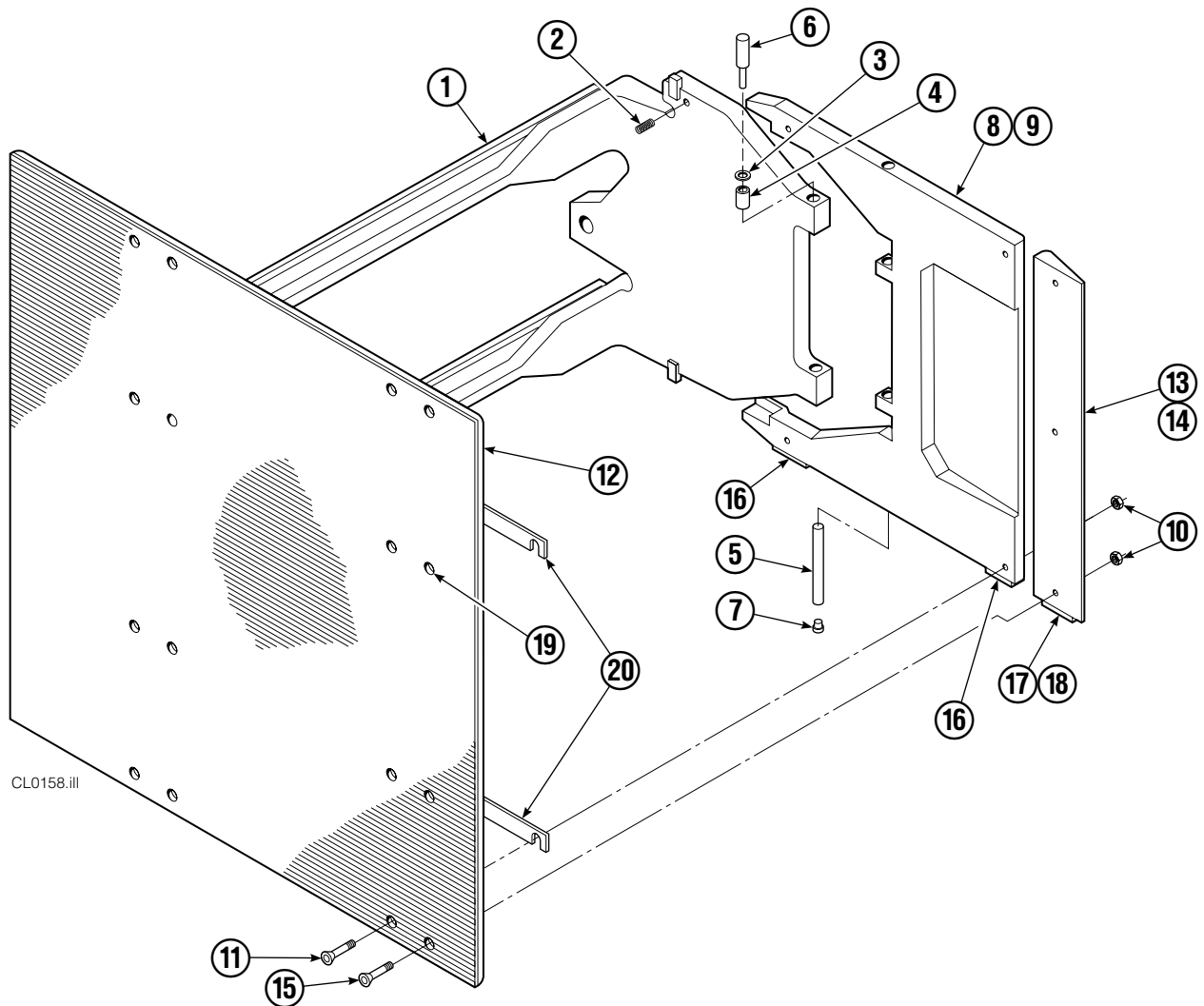
REF	QTY	PART NO.	DESCRIPTION	REF	QTY	PART NO.	DESCRIPTION
		669762	Check Valve – Flow Divider	11	2	667494	Fitting
1	1	667490	Special Fitting	12	2	2840	O-Ring ●
2	1	2841	O-Ring ●	13	2	673098	Spring
3	1	667471	Spool	14	2	667492	Poppet
4	2	609453	Fitting, 10	15	1	673089	Spool Assembly
5	2	667487	Spring	16	2	667491	Sleeve
6	6	604510	Fitting, 6	17	1	669763	Valve Body
7	1	678270	Check Valve – VPO	18	1	661347	Service Kit ●
8	2	659058	Check Valve – PO	19	1	676343	Regeneration Elimination Plug ■
9	2	667516	Service Kit ●			667513	Service Kit
10	1	679846	Low Flow Spool Kit				

● Included in Service Kit 667513.

■ For eliminating regeneration circuit only. See Tech. Bulletin 121.

Reference: SK-5302.

Contact Pad and Arm



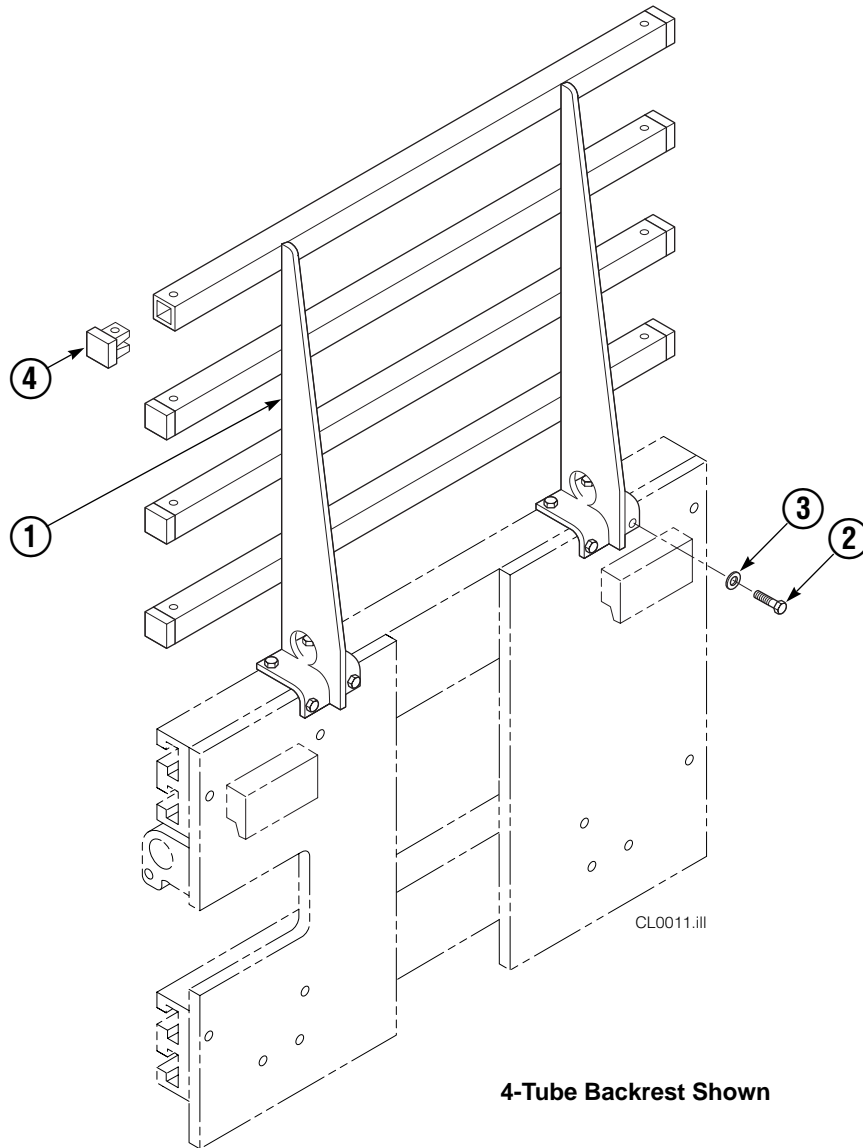
CL0158.ill

20D			
REF	QTY	PART NO.	DESCRIPTION
1	2	671588	Arm
2	2	661212	Spring
3	14	675620	Washer
4	4	200590	Bushing
5	4	677205	Pin
6	1	675626	Bushing Driver Tool
7	4	602580	Plug
8	1	676864	Stabilizer, R.H.
9	1	676866	Stabilizer, L.H.
10	14	550218	Nut
11	8	4674	Capscrew, .5 x 1.75
12	2	676868	Contact Pad
13	1	675621	Tip, L.H.
14	1	675624	Tip, R.H.
15	6	4672	Capscrew, .5 x 1.25
16	1	675614	Stabilizer Wear Tile
17	1	678665	Tip Wear Tile, L.H.
18	1	678666	Tip Wear Tile, R.H.
19	◆	676841	Contact Pad Repair Kit
20	4	677092	Shim

◆ Repairs one hole.

Reference: Basic Group 678850, S-3091.

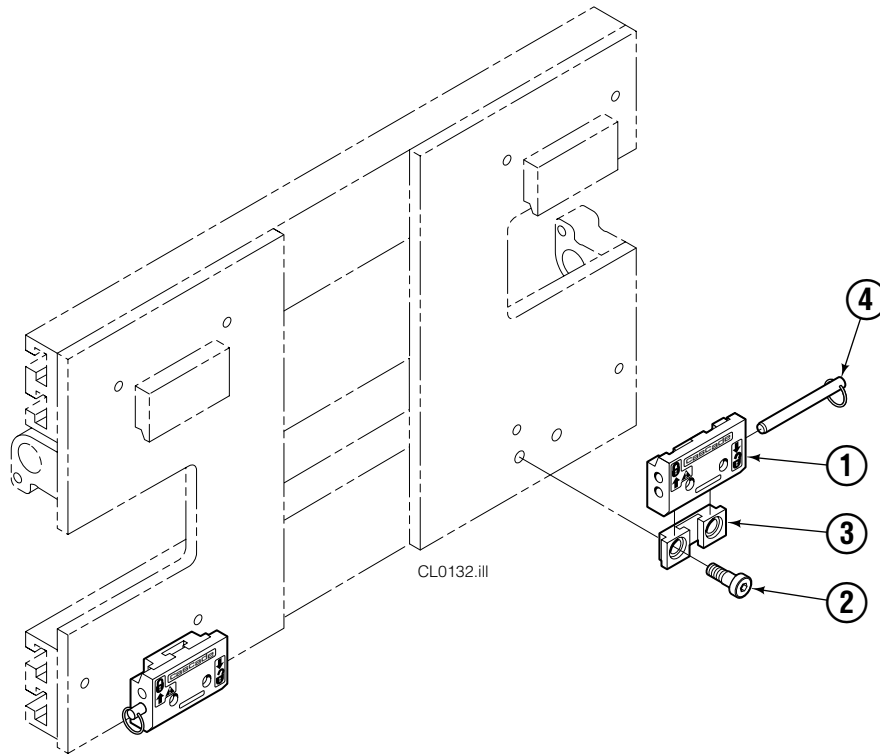
Backrest Group



REF	QTY	PART NO.	DESCRIPTION
		669766	Backrest Group
1	1	669897	Backrest
2	8	677828	Capscrew, 1/2 NC x 1.25
3	8	667910	Washer, 1/2 in. ID
4	▲	674356	Tube End

▲ As required.

Quick-Change Mounting Group



Class II			
REF	QTY	PART NO.	DESCRIPTION
		678833	Lower Hook Group
1	2	675514	Hook
2	4	678942	Capscrew, 5/8 NC x 1.25
3	2	675515	Guide
4	2	678832	Pin

Reference: S-3197.

Do you have questions you need answered right now? Call your nearest Cascade Parts Department. Visit us online at www.cascorp.com

Cascade Corporation

2501 Sheridan Avenue
Springfield, OH 45505
Tel: 888-CASCADE (227-2233)
FAX: 888-329-0234

Cascade Canada Inc.

5570 Timberlea Blvd.
Mississauga, Ontario
Canada L4W-4M6
Tel: 905-629-7777
FAX: 905-629-7785

Cascade GmbH

Dahlener Strasse 570
41239 Mönchengladbach
Germany
Tel: 02166-68230
FAX: 02166-682323

Cascade Finland

A. Petreliuksenkatu 3
01370 Vantaa
Finland
Tel: 09-8361925
FAX: 09-8361935

**Cascade N.V.
Benelux Sales and Service**

Damsluisweg 56
PO Box 3009
1300 El Almere
The Netherlands
Tel: 036-5492950
FAX: 036-5492974

Cascade (UK) Ltd.

Unit 5, Eden Close
Hellaby Lane Ind. Estate
Heellaby,
Rotherham S66 8RW
England
Tel: 01709-704500
FAX: 01709-704501

**Sales Scotland
Macade Systems Ltd.**

18 Melford Road
Righead Ind. Estate
Bellshill ML4 3LR
Scotland
Tel: 01698-845777
FAX: 01698-845888

Cascade (Africa) Pty. Ltd.

PO Box 625, Isando 1600
60A Steel Road
Sparton, Kempton Park
South Africa
Tel: 975-9240
FAX: 394-1147

Cascade Scandinavia AB

Hammarvägen 10
PO Box 124
S-56723 Vaggeryd
Sweden
Tel: 039-336950
FAX: 039-336959

**Cascade France
S.A.R.L. MHP**

1D Rue De Charaintru
BP 18,
91360 Epinay-Sur-Orge
France
Tel: 01-6454-7500
FAX: 01-6454-7501

Cascade Hispania S.A.

Carrer 5, Sector C
Zona Franca Duanera
Poligono de la Zona Franca
08040 Barcelona
Spain
Tel: 93-264-07-30
FAX: 93-264-07-31

Sales Italy

Via Ponzano 11
50047 Prato
Italy
Tel: 0574-571726
FAX: 0574-571726
Mobile Phone: 0337-673029

**Sales Portugal FAG
Santos Lda**

Rua do Mercado
Lte 6, Loja 2-Tires
2785-630
S. Domingos De Rana
Portugal
Tel: 214-448-083
FAX: 214-458-098

**Sales Switzerland
Fahrzeugbedarf**

8810, Horgen
Switzerland
Tel: 01-7279797
FAX: 01-7279798

Sales Poland

Targowa 35/61
03-728 Warszawa
Tel: 022-619 00 49
FAX: 022-619 00 49
Mobile Phone: 0501-27 29 55

Sales Russia

EMCG Material Handling
Equipment
Moscow
Tel: 095-795-2400
FAX: 095-795-2475
Email: emcg@dol.ru

Cascade Japan Ltd.

5-5-41,
Torikai Kami
Settsu, Osaka
Japan, 566
Tel: 81-726-53-3490
FAX: 81-726-53-3497

Cascade Korea

108B Namdong Ind. Complex
658-3 Gojan-Dong
Namdong-Gu
Inchon, 405-310 Korea
Tel: 82-32-821-2051
FAX: 82-32-821-2055

Cascade Australia

1445 Ipswich Road
Rocklea, QLD 4106
Australia
Tel: 1-800227-223
FAX: (07) 3373-7333

Cascade New Zealand

15 Ra Ora Drive
East Tamaki, Auckland
New Zealand
Tel: 9-273-9136
FAX: 9-273-9137

Cascade-Xiamen

No. 668 Yangguang Rd.
Xinyang Industrial Zone
Haicang, Xiamen City
Fujian Province
P.R. China 361026
Tel: 86-592-651-2500
FAX: 86-592-651-2571

**Cascade (Singapore)
Trading Co.**

Four Seasons Park
Autumn Block - Apt. 1802
12 Cuscaden Walk
Singapore
Tel: 65-834-1935
FAX: 65-834-1936

