



Parts Manual

Model 45E Push-Pull Sheet-Sav

Serial Number 45E-PAS-246

cascade[®]
corporation

For Technical Assistance call: 800-227-2233, Fax: 888-329-8207

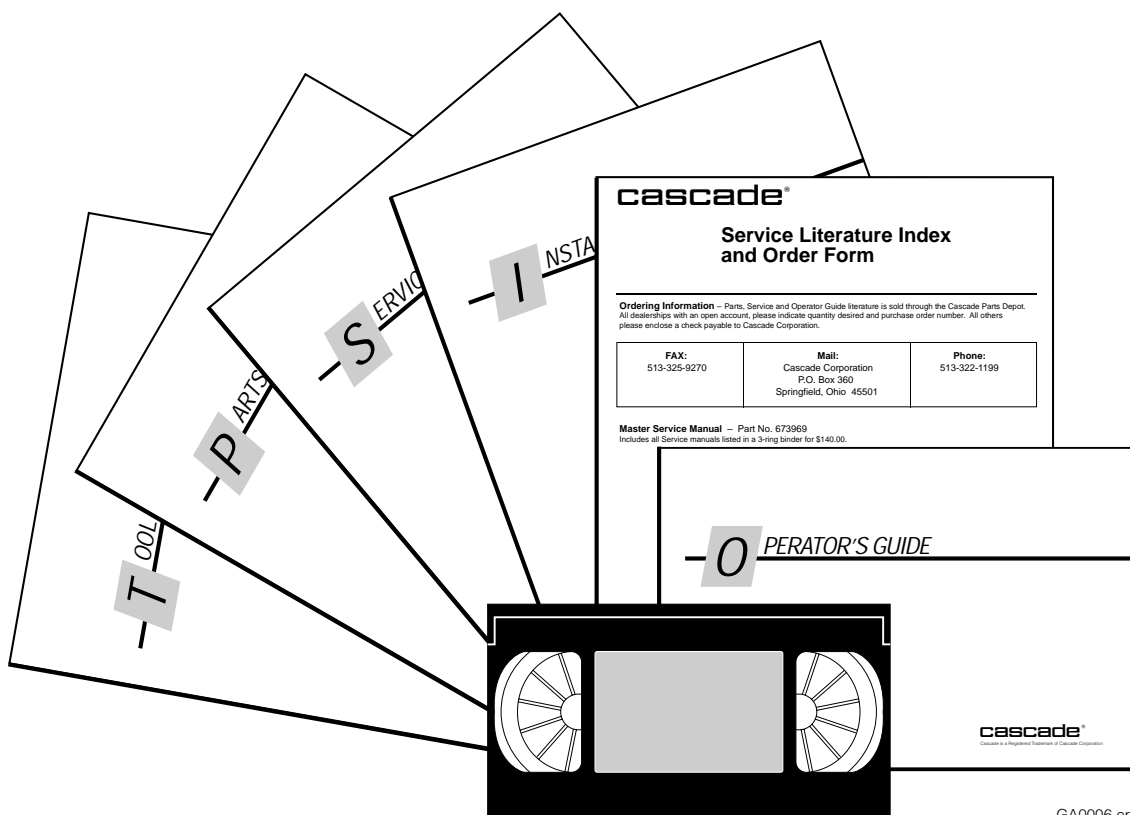
To Order Parts call: 888-227-2233, Fax: 888-329-0234

OR

Write: Cascade Corporation, P.O. Box 20187, Portland, OR 97220

Internet: www.cascorp.com

Publications

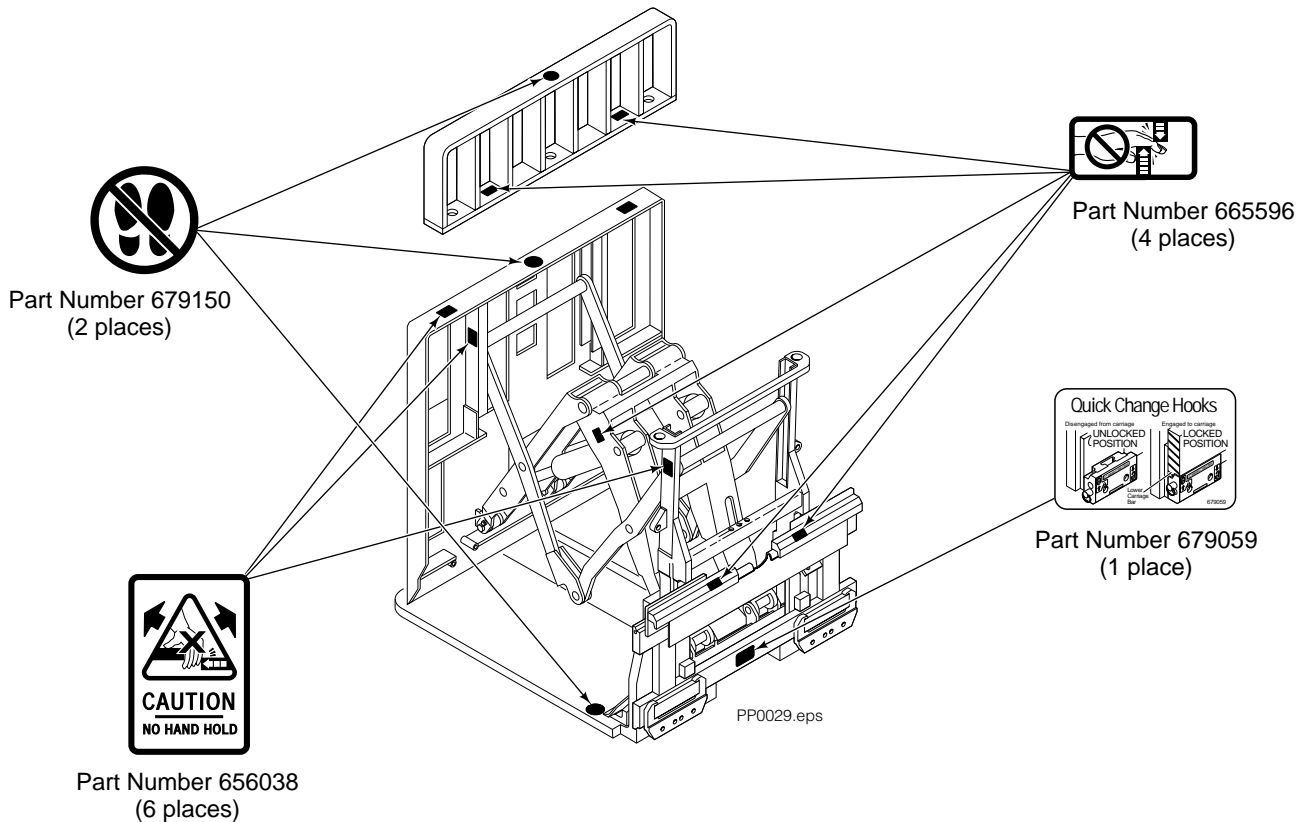


GA0006.eps

PART NO.	DESCRIPTION
	Parts Manual
686455	Service Manual
684945	Operators Guide
685531	Operators Pocket Guide
684944	Installation Instructions
680664	Servicing Cascade Cylinders-VHS
679929	Tool Catalog
673964	Literature Index Order Form

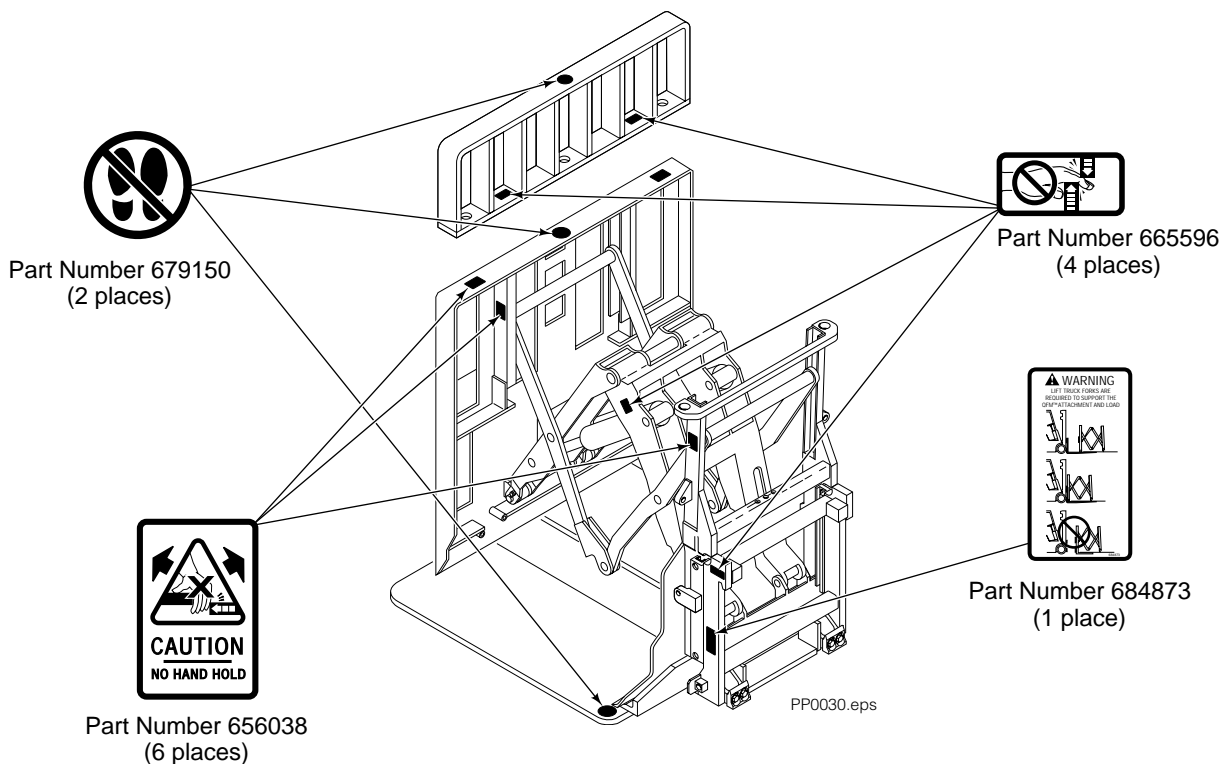
Decals

35E/45E Sheet-Sav

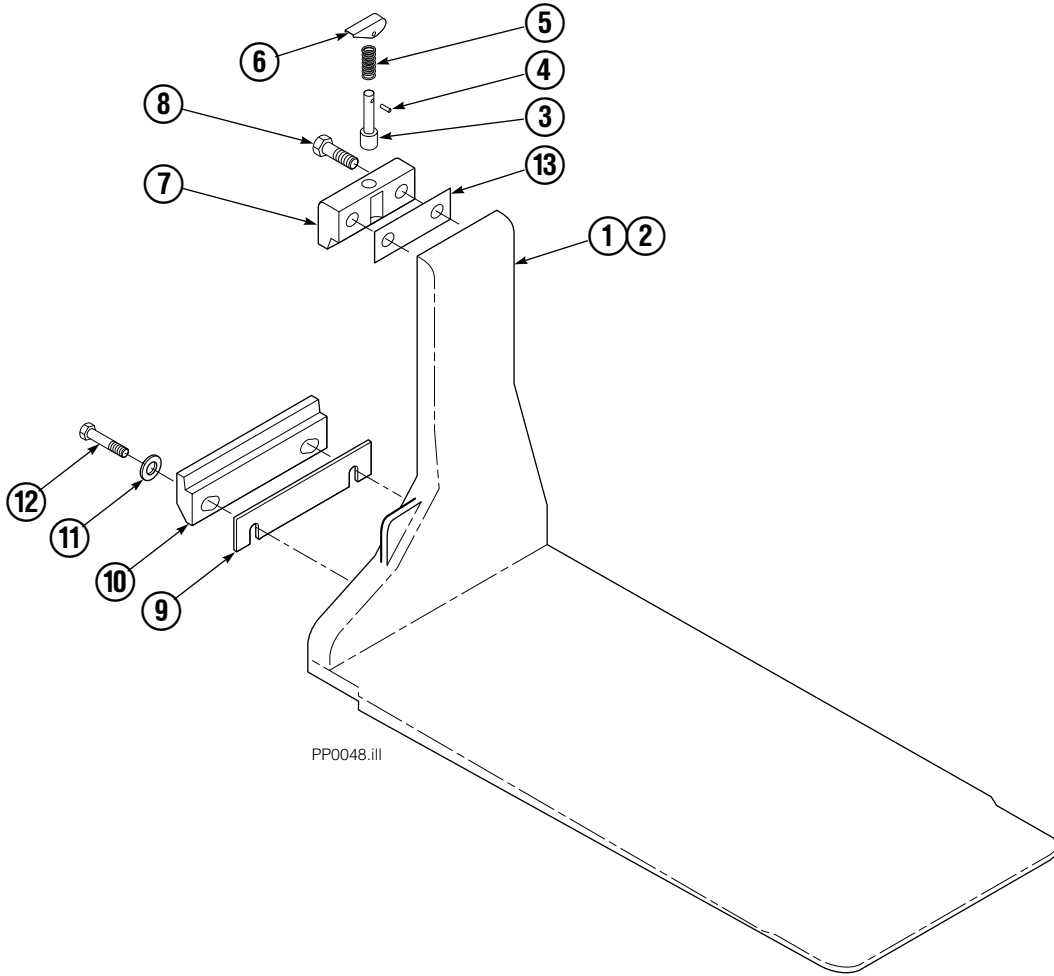


Decals

35E/45E QFM™ Sheet-Sav



Platen Group



REF	QTY	PART NO.	DESCRIPTION
		6023888	Platen Group
1	1	207275	Platen – LH
2	1	207260	Platen – RH
3	2	622907	Pin ■
4	2	8007	Rivet ■
5	2	622908	Spring ■
6	2	622897	Handle ■
7	2	685533	Upper Hook ■
8	4	685534	Capscrew, M16 x 50
9	★	682858	Shim (.030)
10	2	682851	Lower Hook
11	4	667225	Washer
12	4	209016	Capscrew, M16 x 35
13	●	688379	Shim (.060)

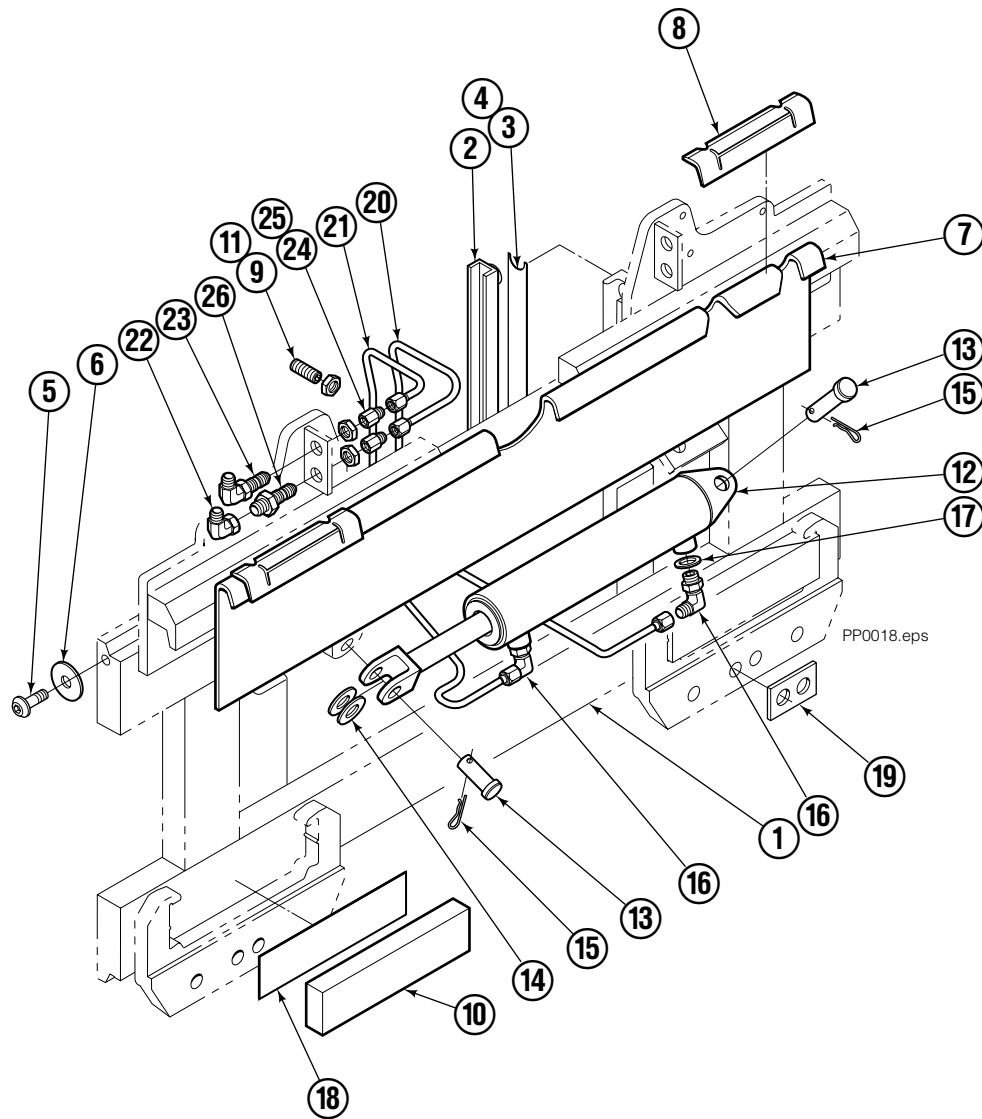
★ As required.

● As required (2 maximum).

■ Included in Upper Hook Assembly 688386.

Reference: S-3985.

S/S Platen Carrier Group ITA III

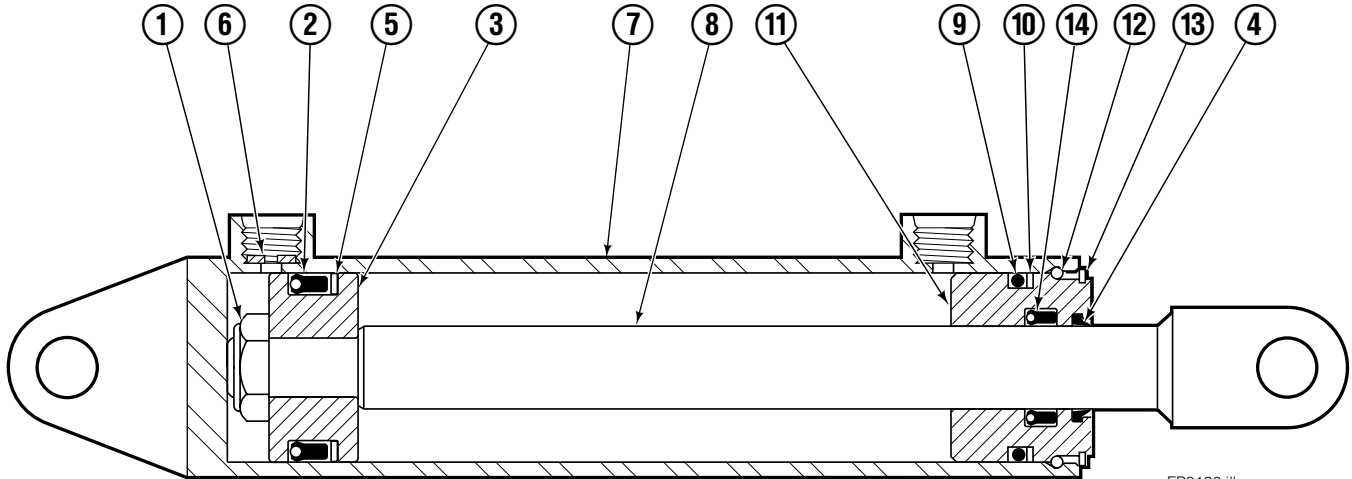


35E/45E

REF	QTY	PART NO.	DESCRIPTION	REF	QTY	PART NO.	DESCRIPTION
		6008160	Platen Carrier Group	14	2	6234	Washer
1	1	6008161	Platen Carrier	15	2	6517	Cotter Pin
2	2	6008210	Bearing	16	2	666984	Fitting, 6-6
3	●	674298	Shim (.015)	17	1	675550	Washer
4	●	674299	Shim (.020)	18	2	683250	Strip
5	2	683142	Capscrew	19	2	683218	Spacer
6	2	683001	Washer	20	1	207047	Tube
7	1	682557	Anchor Bracket	21	1	207048	Tube
8	2	804065	Bearing	22	1	2680	Fitting, 6-6
9	2	768759	Setscrew	23	1	2453	Fitting, 6-6
10	2	682814	Bearing	24	2	2617	Fitting, 6
11	2	688387	Jam Nut	25	2	2669	Fitting, 4-6
12	1	675548	Cylinder Assembly ■	26	1	2375	Fitting, 6-6
13	2	214036	Pin-Clevis				

- As required maximum 1 per side.
- See Cylinder page for parts breakdown.

Sideshift Cylinder ITA Class III

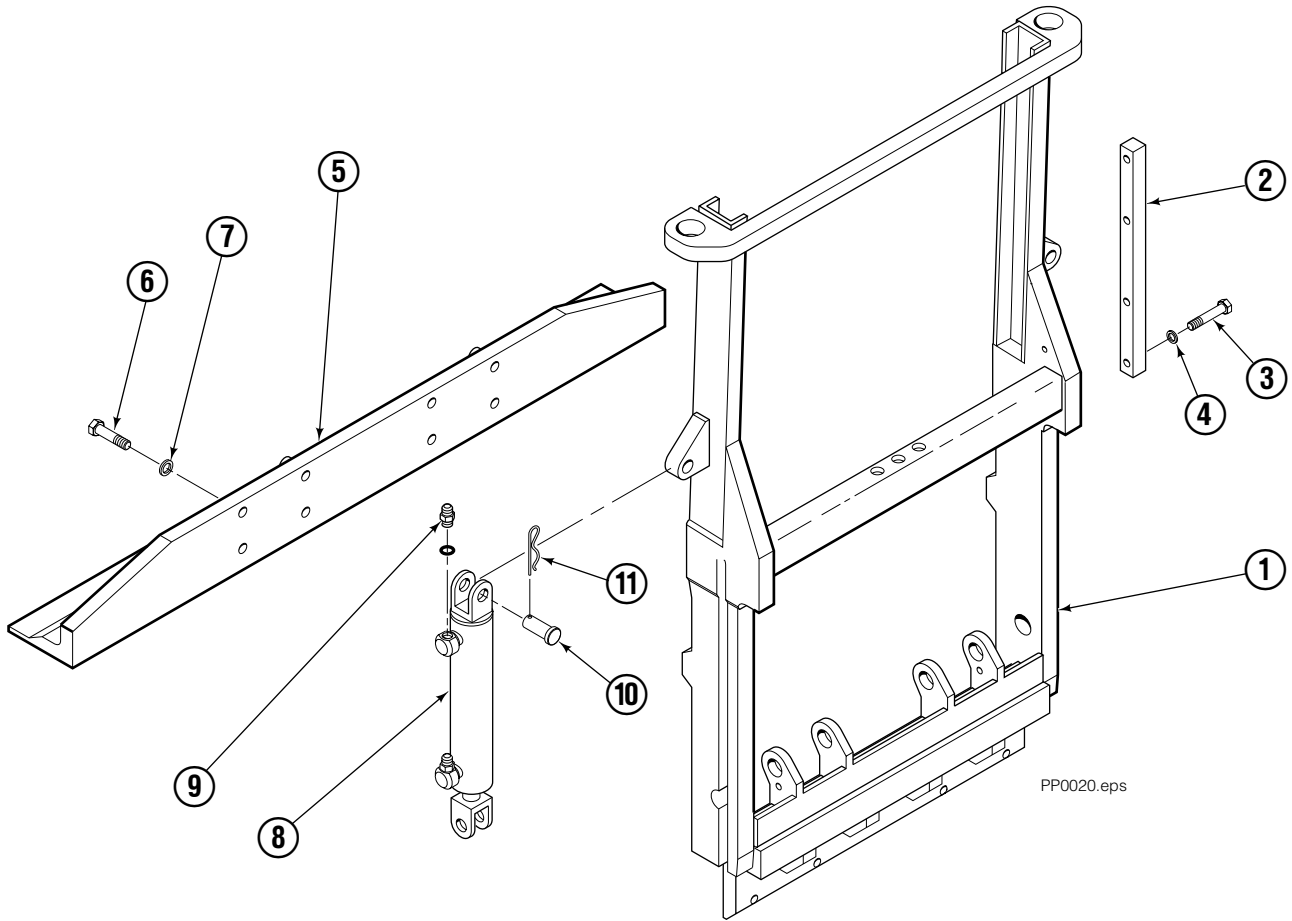


FP0126.ill

55E			
REF	QTY	PART NO.	DESCRIPTION
		675548	Cylinder Assembly
1	1	553857	Nut
2	1	662452	■ Seal
3	1	553501	Piston
4	1	636851	■ Wiper
5	1	638247	■ Back-up Ring
6	1	675550	Washer (orifice .085 in.)
7	1	675549	Shell
8	1	553449	Rod
9	1	2785	■ O-Ring
10	1	615128	■ Back-up Ring
11	1	553500	Retainer
12	1	553856	Retaining Ring
13	1	7202	Snap Ring
14	1	641835	■ Seal
		553861	Service Kit

■ Included in Service Kit 553861.

Frame Group

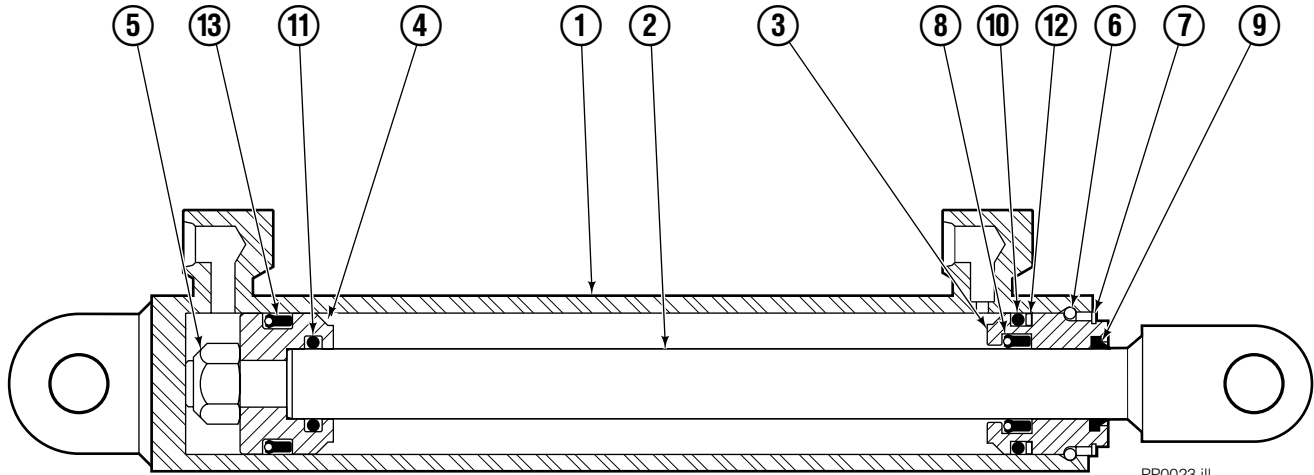


35E/45E

REF	QTY	PART NO.	DESCRIPTION
		206950	Frame Group
1	1	206945	Frame
2	1	206954	Bar
3	2	768525	Capscrew
4	2	686119	Washer
5	1	206955	Foot
6	8	766929	Capscrew
7	8	678991	Lockwasher
8	2	583942	Cylinder ■
9	4	617915	Fitting, 4-4
10	4	678525	Pin-Clevis
11	4	672726	Cotter Pin

■ See Cylinder page for parts breakdown.

Sheet-Sav Cylinder



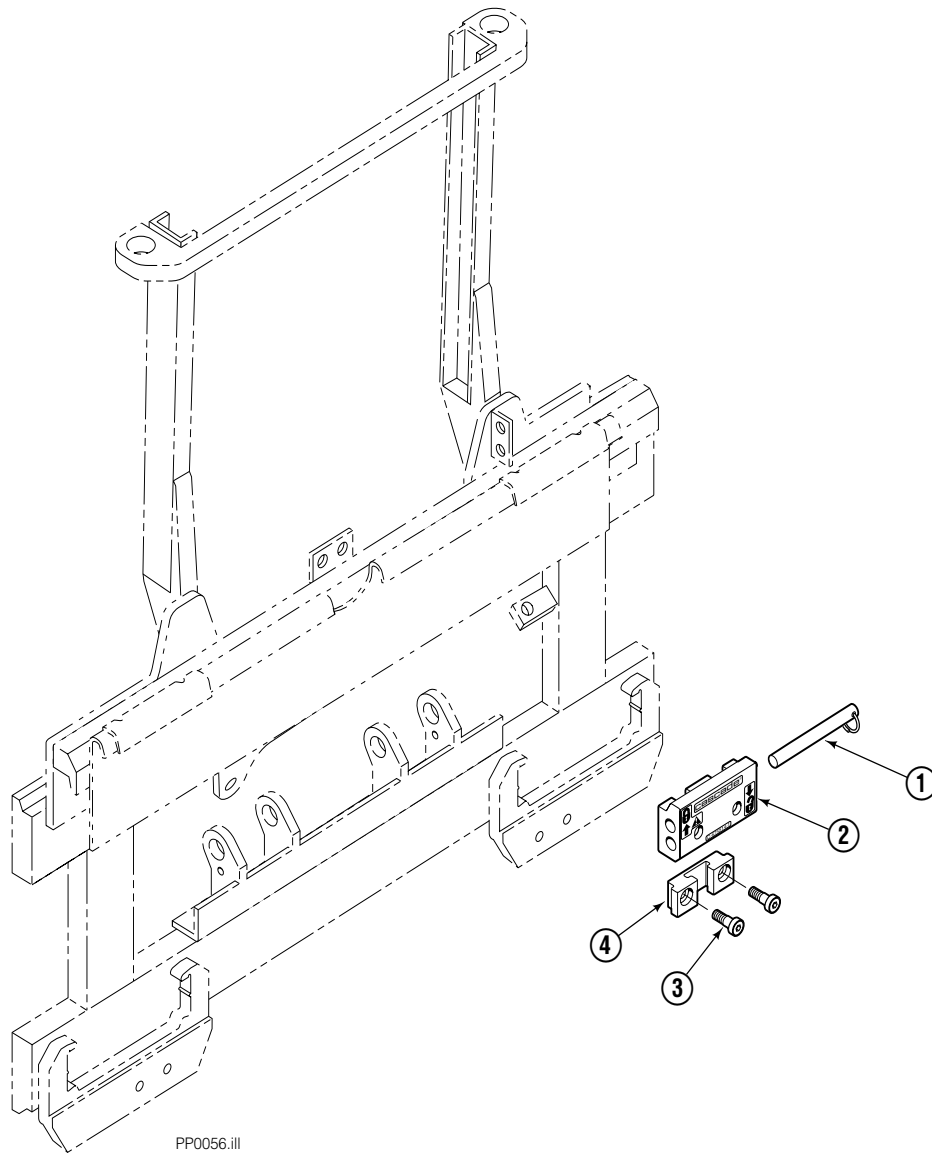
PP0023.ill

35E/45E

REF	QTY	PART NO.	DESCRIPTION
		583942	Cylinder Assembly
1	1	564162	Shell
2	1	564165	Rod
3	1	685664	Retainer
4	1	685665	Piston
5	1	563462	Nut
6	1	563916	Seal
7	1	3137	Retaining Ring
8	1	646540	■ Seal
9	1	636850	■ Wiper
10	1	2718	■ O-Ring
11	1	2710	■ O-Ring
12	1	615122	■ Back-up Ring
13	1	663728	■ Seal

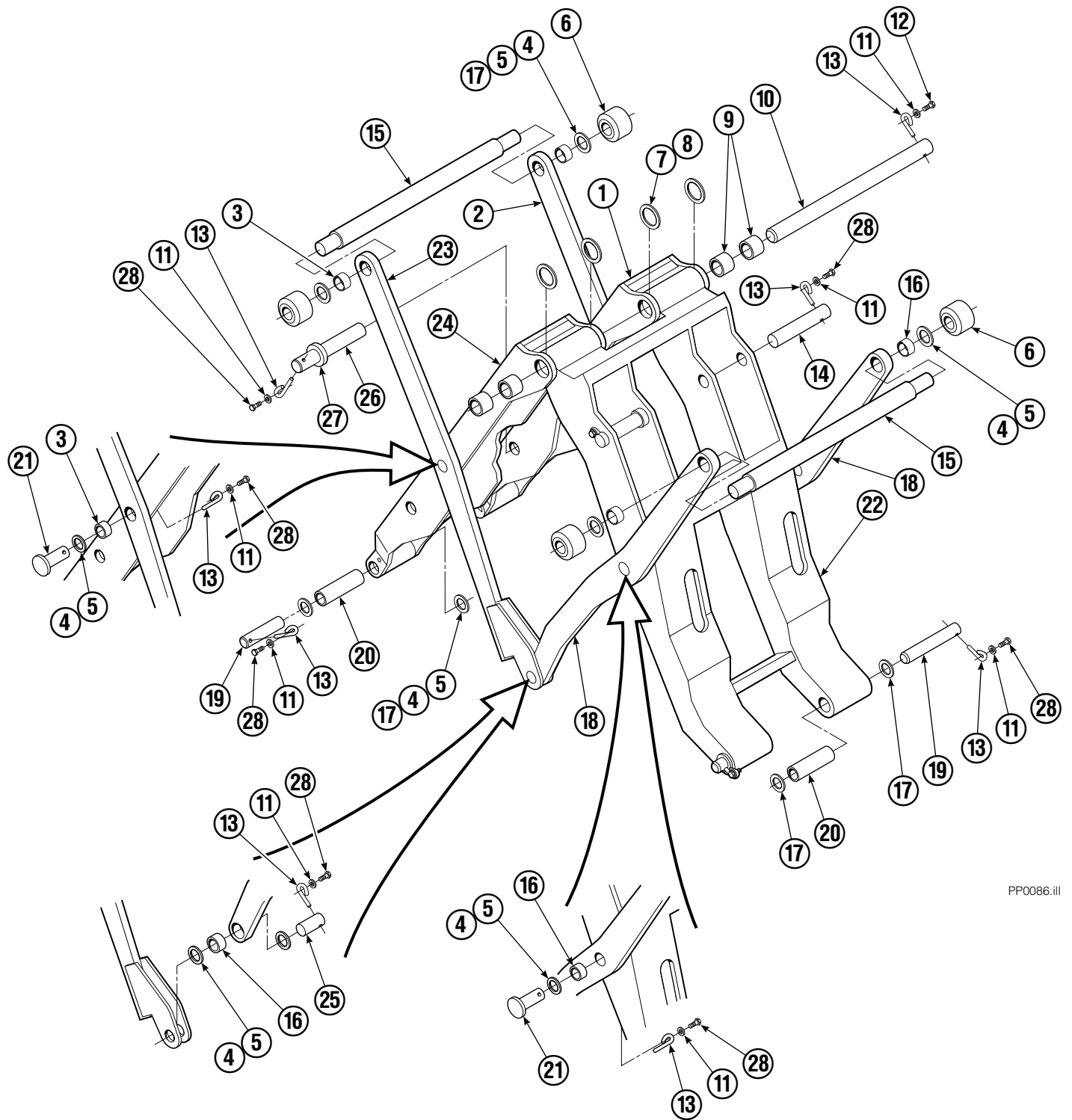
■ Included in Service Kit 684827.

Quick-Change Lower Hook Group – ITA III



REF	QTY	PART NO.	DESCRIPTION
		683181	Lower Hook Group ITA III
1	2	678832	Pin
2	2	675957	Hook
3	4	779019	Capscrew, M16 x 35
4	2	675958	Guide

Mechanism Group



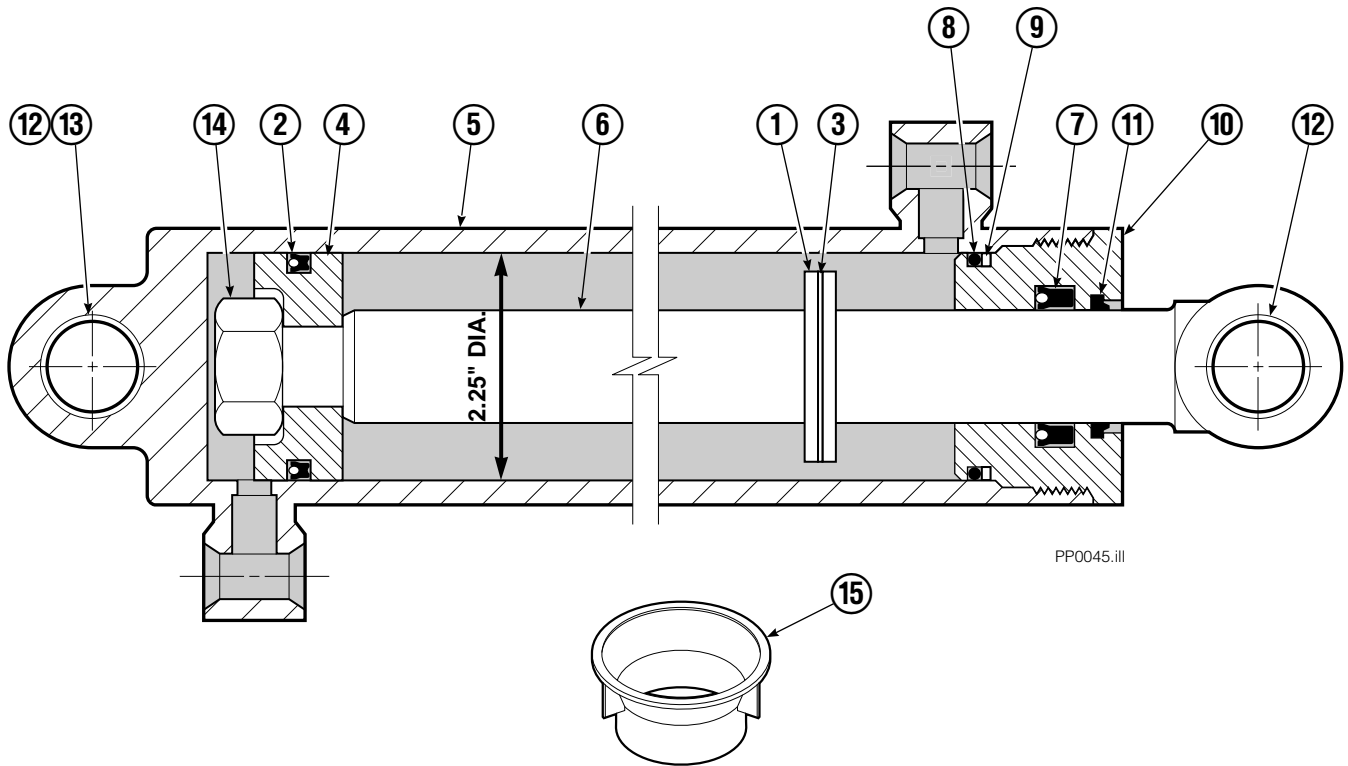
PP0086.ill

Mechanism Group

35E/45E			
REF	QTY	PART NO.	DESCRIPTION
		204644	Mechanism Group
1	1	204691	Arm-Inner Secondary R. H.
2	1	204692	Arm-Secondary Outer R. H.
3	4	683154	■ Bushing
4	●	683161	Shim (.030)
5	●	683162	Shim (.060)
6	4	205070	Roller
7	●	683163	Shim (.030)
8	●	683164	Shim (.060)
9	4	683155	■ Bushing
10	1	682821	Pin
11	15	6229	Washer
12	2	685661	Capscrew
13	15	682999	Eye-Pin
14	2	682822	Pin-Head
15	2	205065	Pin
16	6	683153	■ Bushing
17	●	204532	Shim (.12)
18	2	204694	Arm-Outer Primary
19	4	204533	Pin-Frame
20	4	204535	■ Bushing
21	4	204695	Pin
22	1	204604	Arm-Inner Primary
23	1	204693	Arm-Secondary Outer L. H.
24	1	204690	Arm-Inner Secondary L. H.
25	2	204696	Pin-Outer
26	2	682823	Pin-Rod
27	2	683165	Spacer
28	13	767961	Capscrew

- Quantity as required.
- Included in Bushing Service Kit 205075.

Cylinder

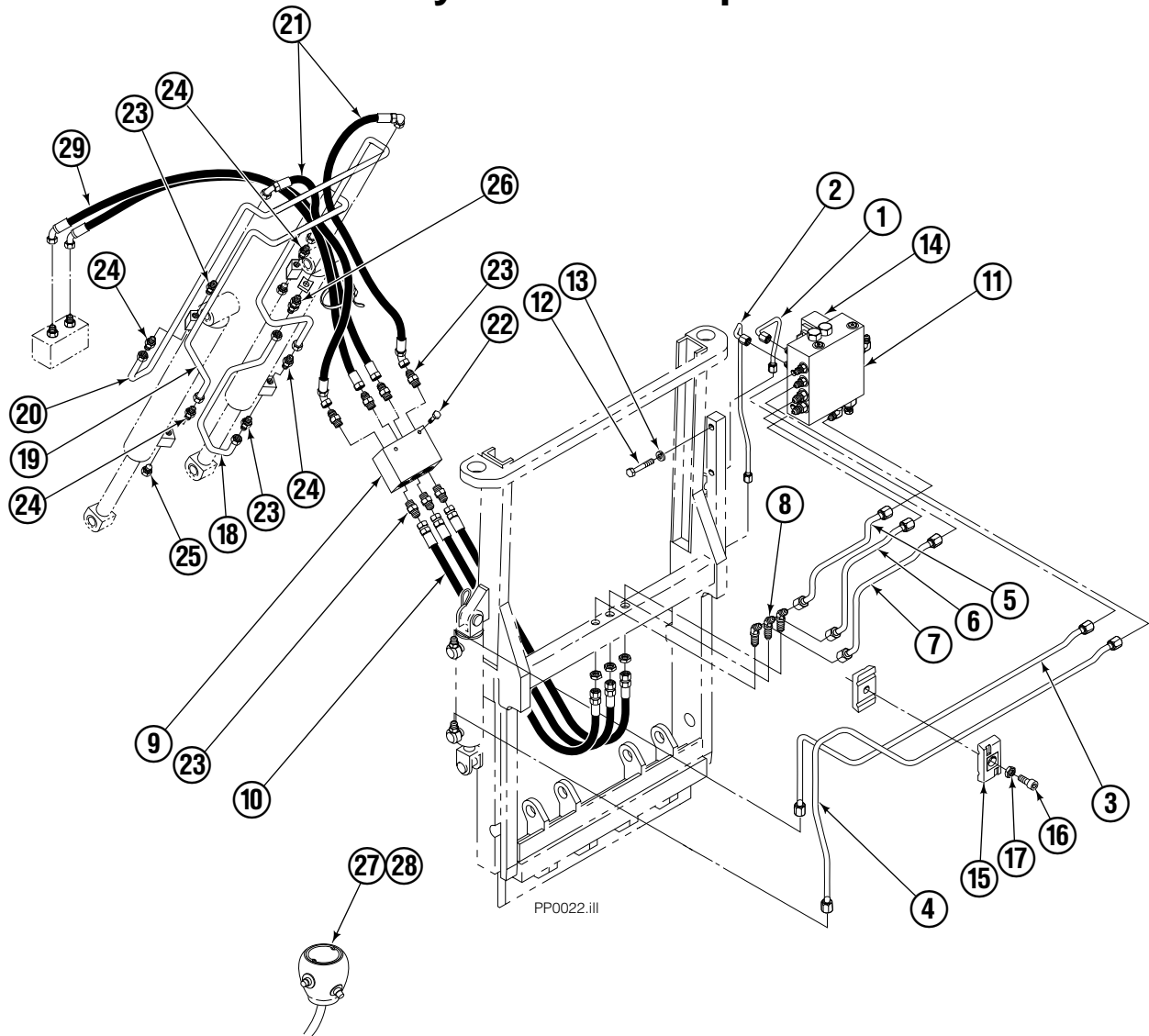


REF	QTY	PART NO.	DESCRIPTION
		582636	Cylinder Assembly
1	1	—	Spacer
2	1	564159	■ Seal
3	1	7348	Snap Ring
4	1	564161	Piston
5	1	562717	Shell
6	1	558626	Rod
7	1	662448	■ Seal
8	1	2787	■ O-Ring
9	1	615130	■ Back-Up Ring
10	1	558628	Retainer
11	1	636853	■ Wiper
12	4	559697	Bearing
13	1	559698	Spacer
14	1	678019	Nut
15	1	671048	■ Seal Loader Kit

■ Included in Service Kit 562339.

Reference: S-3424.

Hydraulic Group



35E/45E

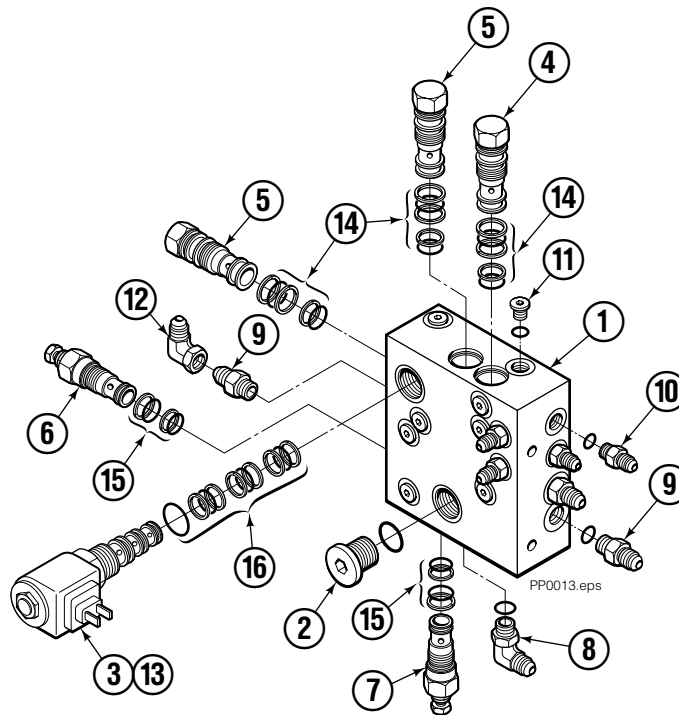
REF	QTY	PART NO.	DESCRIPTION	REF	QTY	PART NO.	DESCRIPTION
		206940	Hydraulic Group (without gripper control)	15	2	207041	Clamp
1	1	206931	Tube	16	1	768794	Capscrew
2	1	206932	Tube	17	1	767414	Nut
3	1	206933	Tube	18	1	200647	Tube
4	1	206934	Tube	19	1	200648	Tube
5	1	206935	Tube	20	1	200649	Tube
6	1	206936	Tube	21	2	683173	Hose
7	1	206937	Tube	22	2	765329	Capscrew
8	3	2492	Fitting, 6-6	23	7	604511	Fitting, 6-6
9	1	206927	Junction Block	24	4	605235	Fitting, 5-6
10	3	685981	Hose	25	2	604510	Fitting, 6
11	1	206942	■ Valve (without gripper control)	26	1	2375	Fitting, 6-6
12	2	768525	Capscrew	28	1	206939	● Knob (without gripper control)
13	2	686119	Washer	29	1	685831	Hose
14	1	669432	Diode (without gripper control)				

■ See Valve page for parts breakdown.

● See Knob page for parts breakdown.

Valve

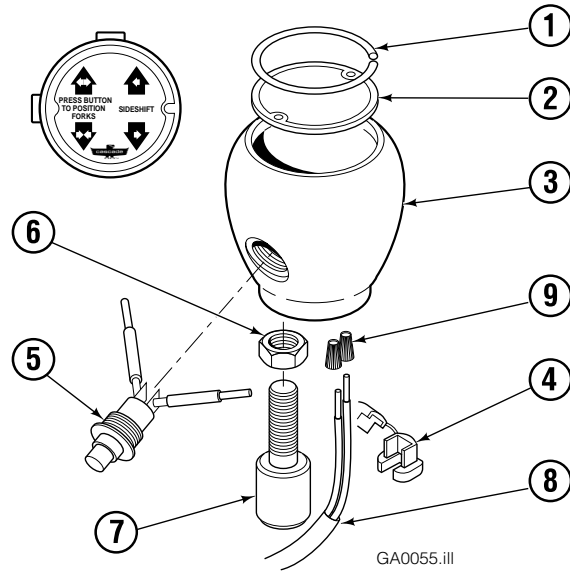
Without Independent Gripper Control



35E/45E

REF	QTY	PART NO.	DESCRIPTION
		206942	Valve Assembly
1	1	206943	Valve Body
2	1	609453	Fitting, 10
3	1	206991	Solenoid Valve
4	1	206944	Check Valve
5	2	659058	Check Valve
6	1	677125	Relief Valve
7	1	677124	Relief Valve
8	2	601676	Fitting, 6-6
9	3	604511	Fitting, 6-6
10	4	617915	Fitting, 4-4
11	12	609234	Fitting, 4
12	1	2680	Fitting, 6-6
13	1	206995	Coil - 12V
13	1	206996	Coil - 24V
13	1	206997	Coil - 36V
13	1	206998	Coil - 48V
14	3	667516	Service Kit
15	2	669597	Service Kit
16	1	667379	Service Kit

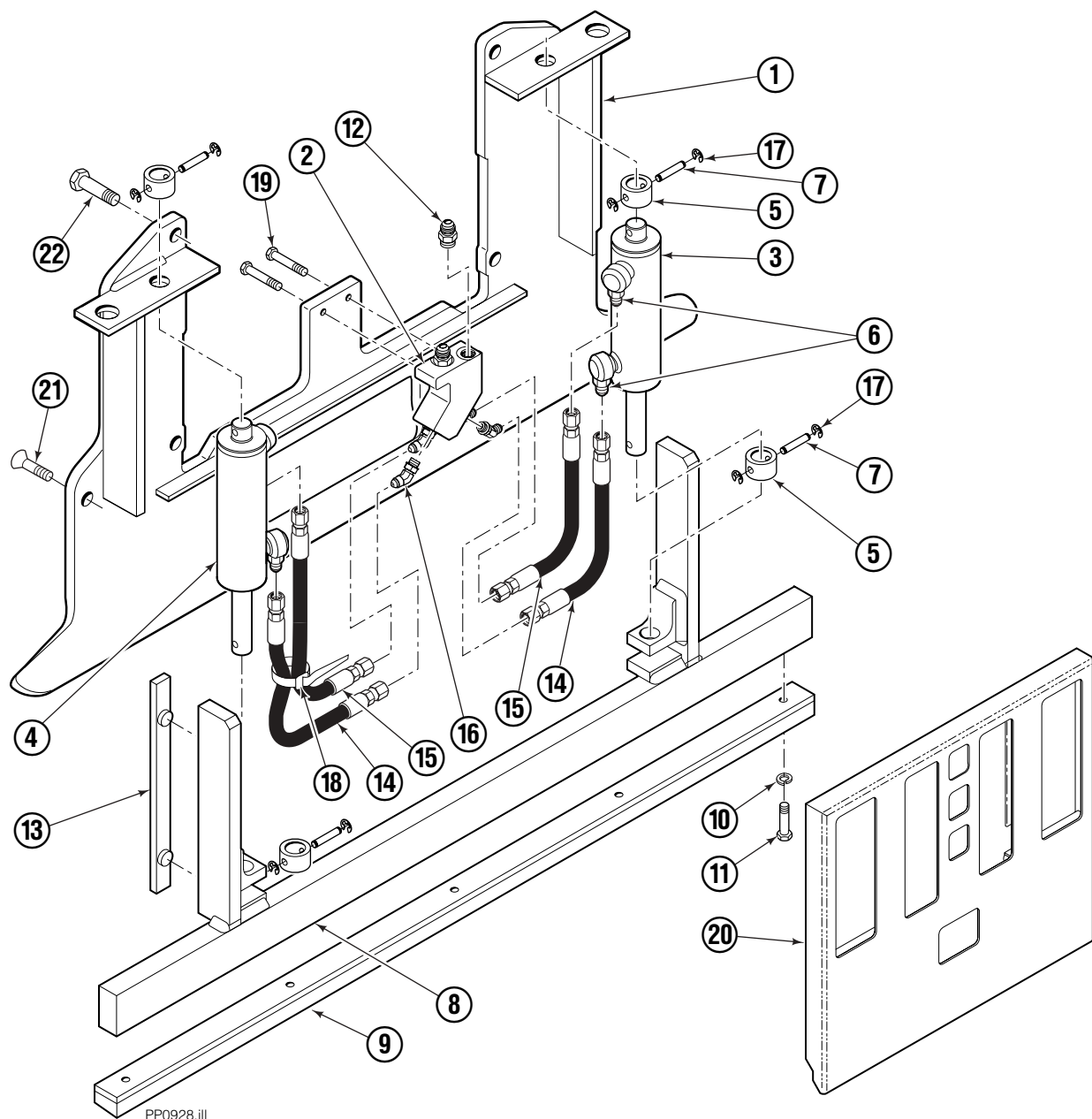
Control Knob Without Gripper Control



35E/45E			
REF	QTY	PART NO.	DESCRIPTION
		206939	Knob Group
1	1	665250	Snap Ring
2	1	206986	Cover
3	1	667012	Knob
4	1	665076	Strain Relief
5	1	677112	■ Switch
6	1	5902	Nut, 3/8 NC
7	1	665081	Adapter
8	1	667718	Cable Assembly
9	2	667752	Connector – Gray

■ This switch may be purchased without wires. Order part number 665004. Soldering is required.

Faceplate Group



PP0928.ill

45E

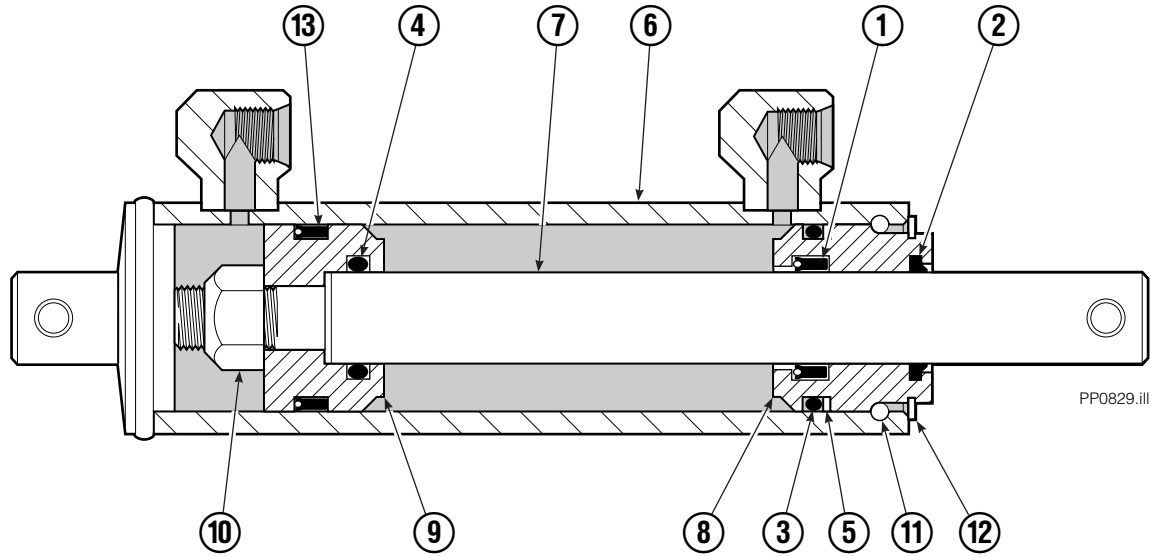
REF	QTY	PART NO.	DESCRIPTION	REF	QTY	PART NO.	DESCRIPTION
		6029838	Faceplate Group, 40 x 40 in. ■	11	5	787375	Capscrew, M8 x 20
		6020440	Gripper Jaw Assembly ●	12	2	604511	Fitting, 6-6
1	1	206396	Gripper Jaw	13	2	686573	Bearing
2	1	6002134	Valve	14	2	6002138	Hose, 315 mm
3	1	6020444	Gripper Cylinder, LH ◆	15	2	6002139	Hose, 450 mm
4	1	6020443	Gripper Cylinder, RH ◆	16	4	617918	Fitting, 4-4
5	4	6020462	Collar	17	8	669894	Retaining Ring
6	4	617915	Fitting, 4-4	18	4	684956	Wire Tie
7	4	6014089	Pin	19	2	787373	Capscrew, M8 x 20
8	1	6002135	Gripper Bar	20	1	6019106	Faceplate, 40 x 40 in. ■
9	1	672712	Gripper Pad	21	2	768714	Capscrew, M16 x 60
10	5	680253	Lockwasher, M8	22	4	225346	Capscrew, M16 x 60

■ Width x height.

◆ See Gripper Cylinder page for parts breakdown.

● Includes items 1-19.

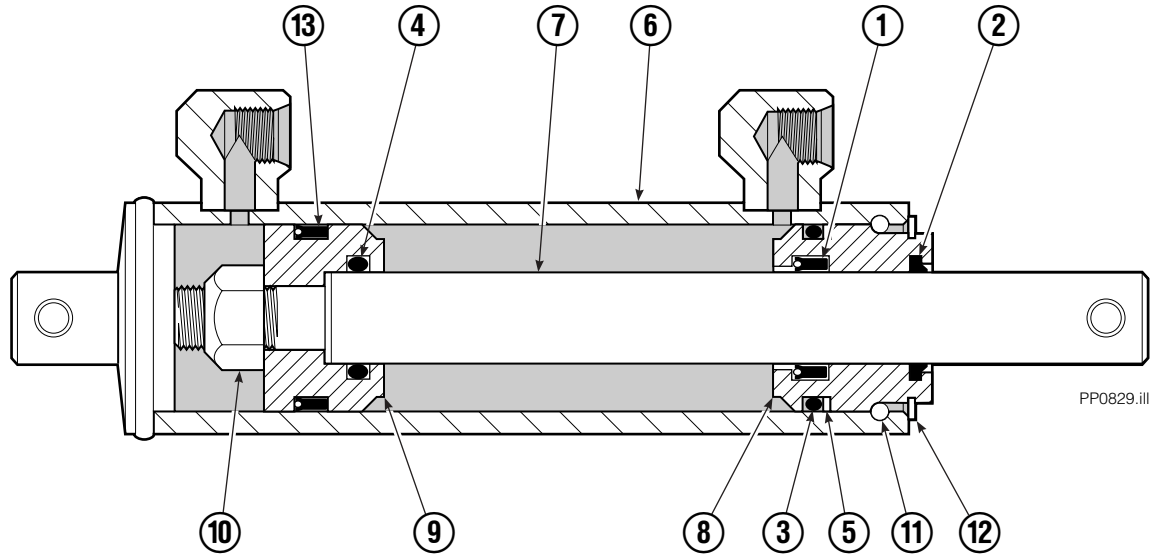
Gripper Cylinder Left Hand



REF	QTY	PART NO.	DESCRIPTION
		6020444	Gripper Cylinder - LH
1	1	646540	▼ Seal
2	1	636850	▼ Wiper
3	1	2718	▼ O-Ring
4	1	2710	▼ O-Ring
5	1	615122	▼ Back-Up Ring
6	1	6020453	Shell
7	1	6020461	Rod
8	1	685664	Retainer
9	1	685665	Piston
10	1	563462	Nut
11	1	563916	Ring
12	1	3137	Ring
13	1	663728	▼ Piston Seal

▼ Included in Service Kit 684827.

Gripper Cylinder Right Hand



PP0829.iii

REF	QTY	PART NO.	DESCRIPTION
		6020443	Gripper Cylinder – RH
1	1	646540	▼ Seal
2	1	636850	▼ Wiper
3	1	2718	▼ O-Ring
4	1	2710	▼ O-Ring
5	1	615122	▼ Back-Up Ring
6	1	6020452	Shell
7	1	6020461	Rod
8	1	685664	Retainer
9	1	685665	Piston
10	1	563462	Nut
11	1	563916	Ring
12	1	3137	Ring
13	1	663728	▼ Piston Seal

▼ Included in Service Kit 684827.

Do you have questions you need answered right now? Call your nearest Cascade Parts Department. Visit us online at www.cascorp.com

Cascade Corporation
2501 Sheridan Avenue
Springfield, OH 45505
Tel: 888-CASCADE (227-2233)
FAX: 888-329-0234

Cascade Canada Inc.
5570 Timberlea Blvd.
Mississauga, Ontario
Canada L4W-4M6
Tel: 905-629-7777
FAX: 905-629-7785

Cascade GmbH
D-41199 Monchengladbach
Klosterhofweg 52
Germany
Tel: 49-216-668230
FAX: 49-216-6682323

Cascade Finland
Albert Petreliuksenkatu 3
01370 Vantaa
Finland
Tel: 358-9-836-1925
FAX: 358-9-836-1935

**Cascade N.V.
European Headquarters**
P.O. Box 3009
1300 El Almere
Damsluisweg 56
1332 ED Almere
The Netherlands
Tel: 31-36-5492911
FAX: 31-36-5492964

**Cascade N.V.
Benelux Sales and Service**
P.O. Box 3009
1300 El Almere
Damsluisweg 56
1332 ED Almere
The Netherlands
Tel: 31-36-5492950
FAX: 31-36-5492974

Cascade (UK) Ltd.
15, Orgreave Crescent
Dore House Industrial Estate
Handsworth
Sheffield S13 9NQ
England
Tel: 742-697524
FAX: 742-695121

Cascade Scandinavia AB
Box 124
Hammarvägen 10
567 23 Vaggeryd
Sweden
Tel: 42-0-393-36950
FAX: 46-0-393-36959

Cascade Norway
Østerliveien 37A
1153 Oslo
Norway
Tel: 47-22-743160
FAX: 47-22-743157

Cascade France S.A.R.L.
1D Rue De Charaintru
BP 18, 91360 Epinay-Sur-Orge
Morangis Cedex, France
Tel: 33-1- 64547500
FAX: 33-1-64547501

Cascade Hispania S.A.
Carrer 5 Sector C
Zona Franca Duanera
Poligono de la Zon Franca
08040 Barcelona, Spain
Office No. 256
Tel: 93-264-07-30
FAX: 93-264-07-31

Cascade Japan Ltd.
5-5-41,
Torikai Kami
Settsu, Osaka
Japan, 566
Tel: 81-726-53-3490
FAX: 81-726-53-3497

Cascade Korea
108B, Namdong Ind Complex
658-3 Gojan-Dong
Namdong-Gu
Inchon, 405-310 Korea
Tel: 82-32-821-2051
FAX: 82-32-821-2055

Cascade Australia
1445 Ipswich Road
Rocklea, QLD 4106
Australia
Tel: 1-800227-223
FAX: (07) 3373-7333

Cascade New Zealand
15 Ra Ora Drive
East Tamaki, Auckland
New Zealand
Tel: 9-273-9136
FAX: 9-273-9137

Cascade (Africa) Pty. Ltd.
P.O. Box 625, Isando 1600
60A Steel Road
Sparton, Kempton Park
South Africa
Tel: 27-11-975-9240
FAX: 27-11-394-1147

Cascade-Xiamen
No. 668 Yangguang Rd.
Xinyang Industrial Zone
Haicang, Xiamen City
Fujian Province
P.R. China 361026
Tel: 86-592-651-2500
FAX: 86-592-651-2571

**Cascade (Singapore)
Trading Co.**
Four Seasons Park
Autumn Block - Apt. 1802
12 Cuscaden Walk
Singapore
Tel: 65-834-1935
FAX: 65-834-1936

