



Parts Manual

Model _____ Push/Pull – Ext Range _____

Catalog Number _____ 45E-PXS-311 _____

cascade®
corporation

For Technical Assistance call: 800-227-2233, Fax: 888-329-8207

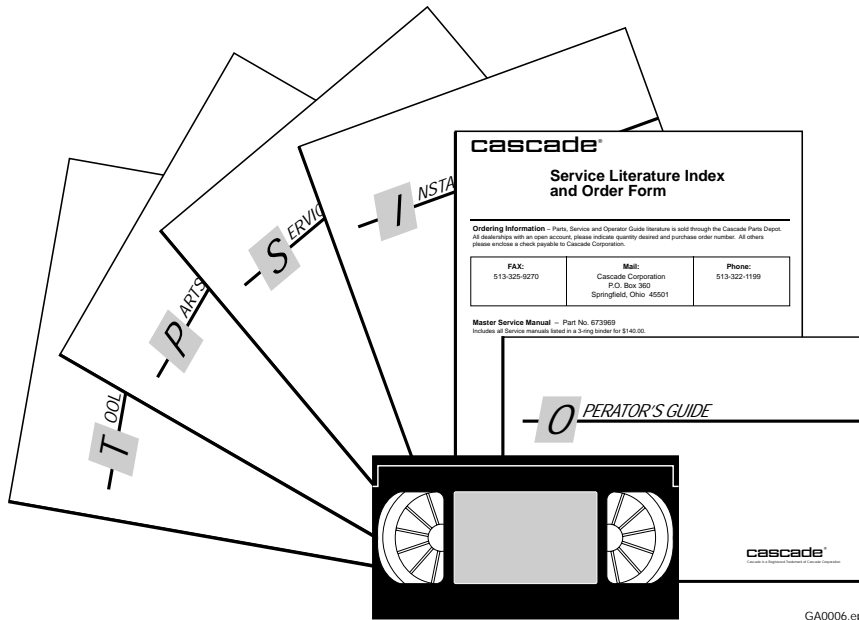
To Order Parts call: 888-227-2233, Fax: 888-329-0234

OR

Write: Cascade Corporation, P.O. Box 20187, Portland, OR 97220

Internet: www.cascorp.com

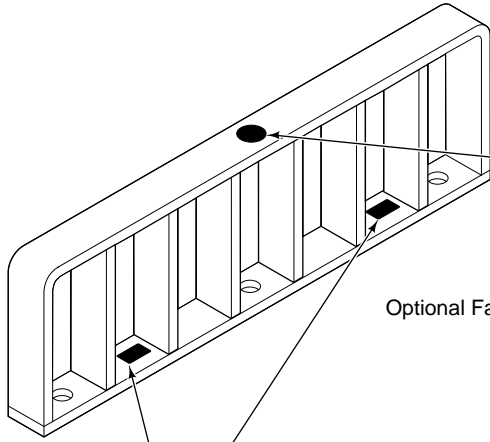
Publications



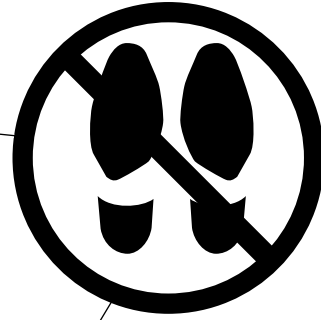
GA0006.eps

PART NO.	DESCRIPTION
	Parts Manual
686455	Service Manual
684945	Operators Guide
685531	Operators Pocket Guide
684944	Installation Instructions
680664	Servicing Cascade Cylinders-VHS
679929	Tool Catalog
673964	Literature Index Order Form

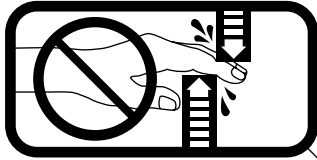
Decals



Optional Faceplate Extension



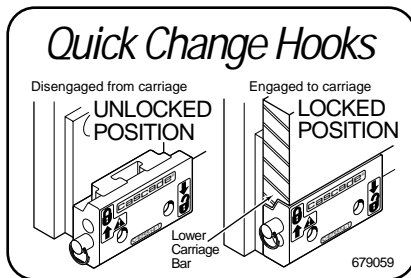
Part No. 679150
(1 Place & 1 optional)



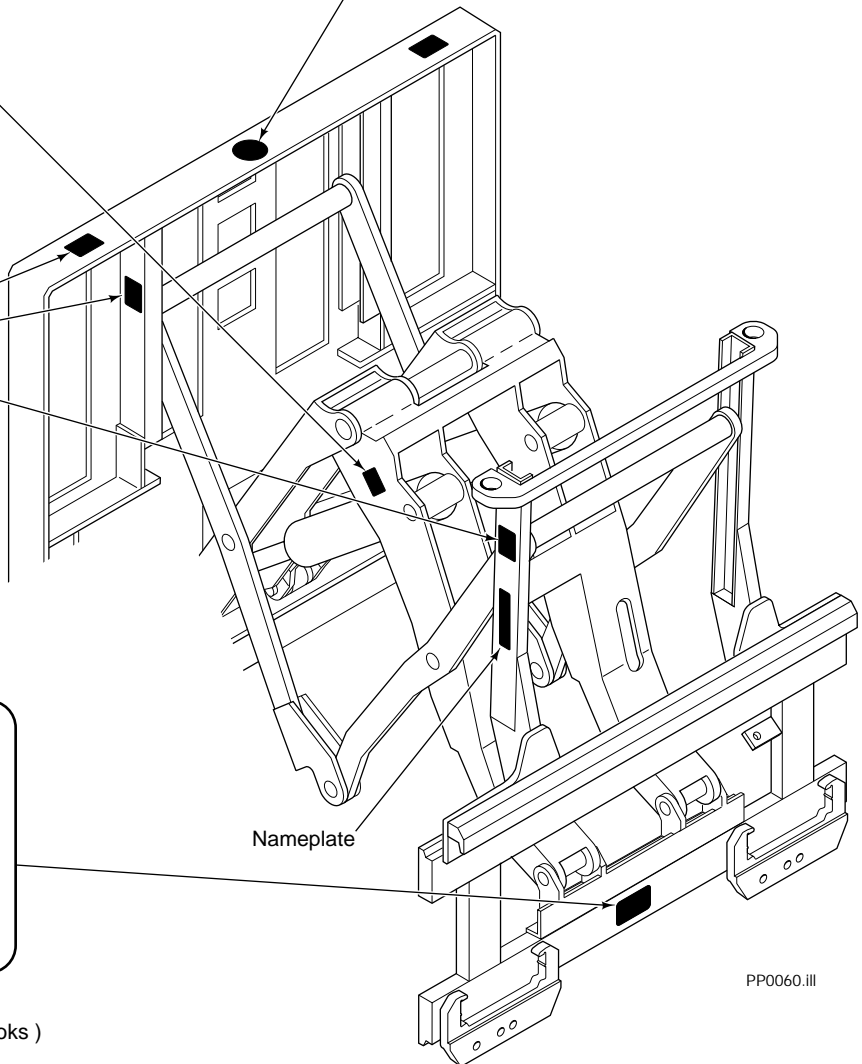
Part No. 665595
(2 Place & 2 optional)



Part No. 656038
(6 Places)



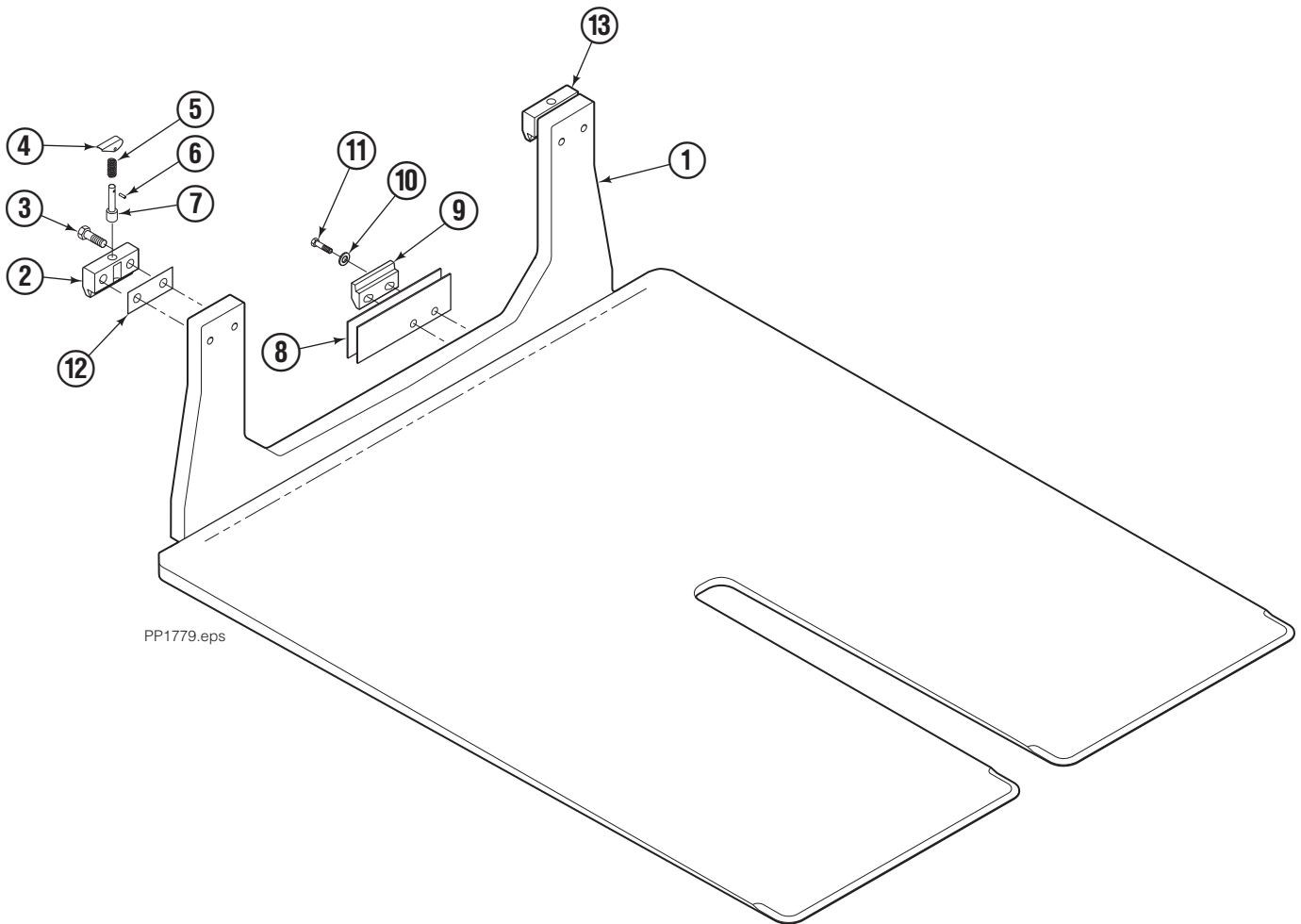
Part No. 679059
(1 Place if equipped with Quick Change Hooks)



Nameplate

PP0060.iii

Platen Group



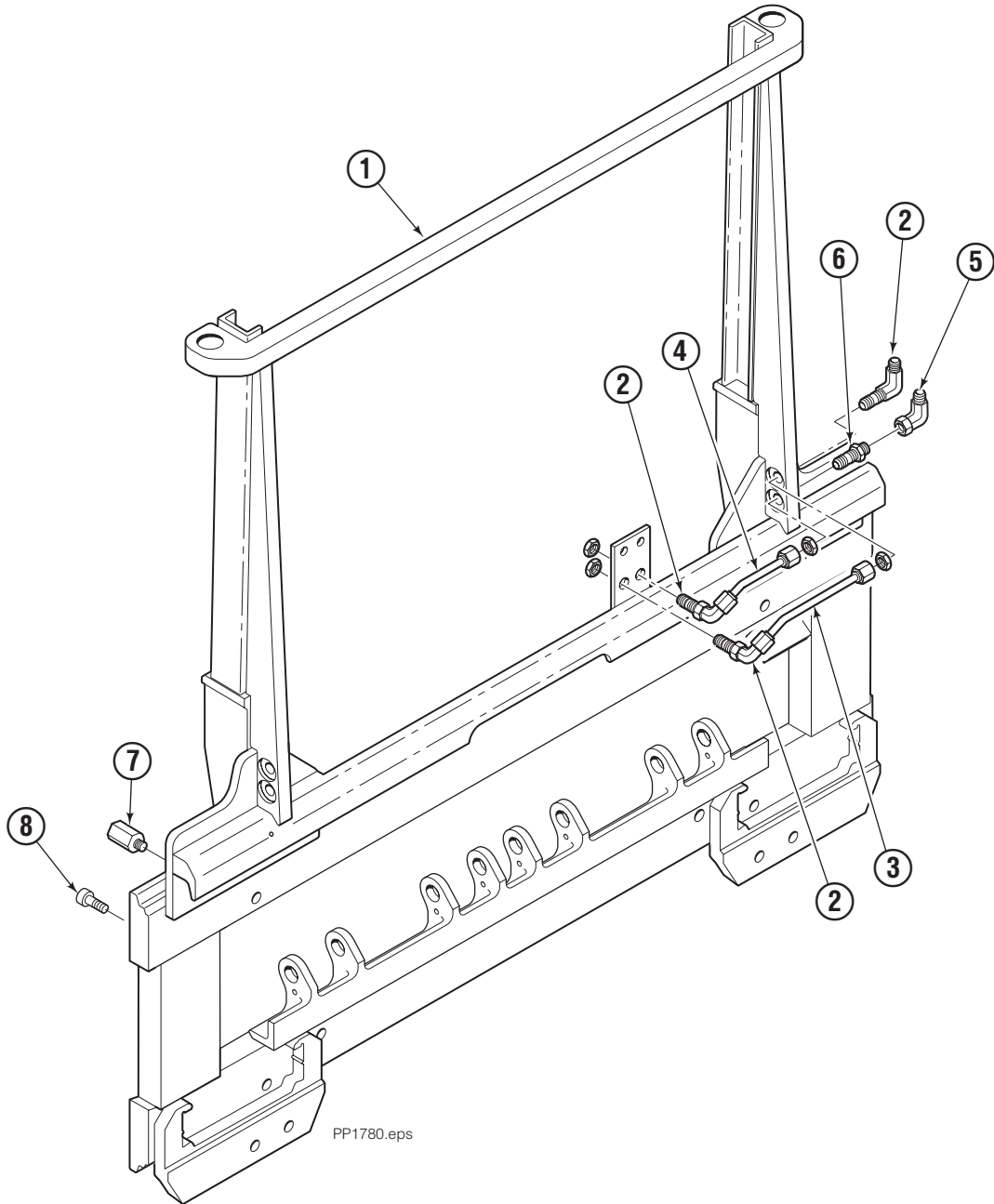
PP1779.eps

45E			
REF	QTY	PART NO.	DESCRIPTION
		6092006	Platen Group
1	1	6092007	Platen
2	1	685533	Upper Hook ◆
3	4	214991	Capscrew, M16 x 45
4	1	622897	Handle ◆
5	1	622908	Spring ◆
6	1	8007	Rivet ◆
7	1	622907	Pin ◆
8	■	685675	Shim
9	2	667370	Lower Hook
10	4	667225	Washer
11	4	211129	Capscrew, M16 x 35
12	■	688379	Shim
13	1	685533	Upper Hook

◆ Included in Upper Hook Assembly 688386.

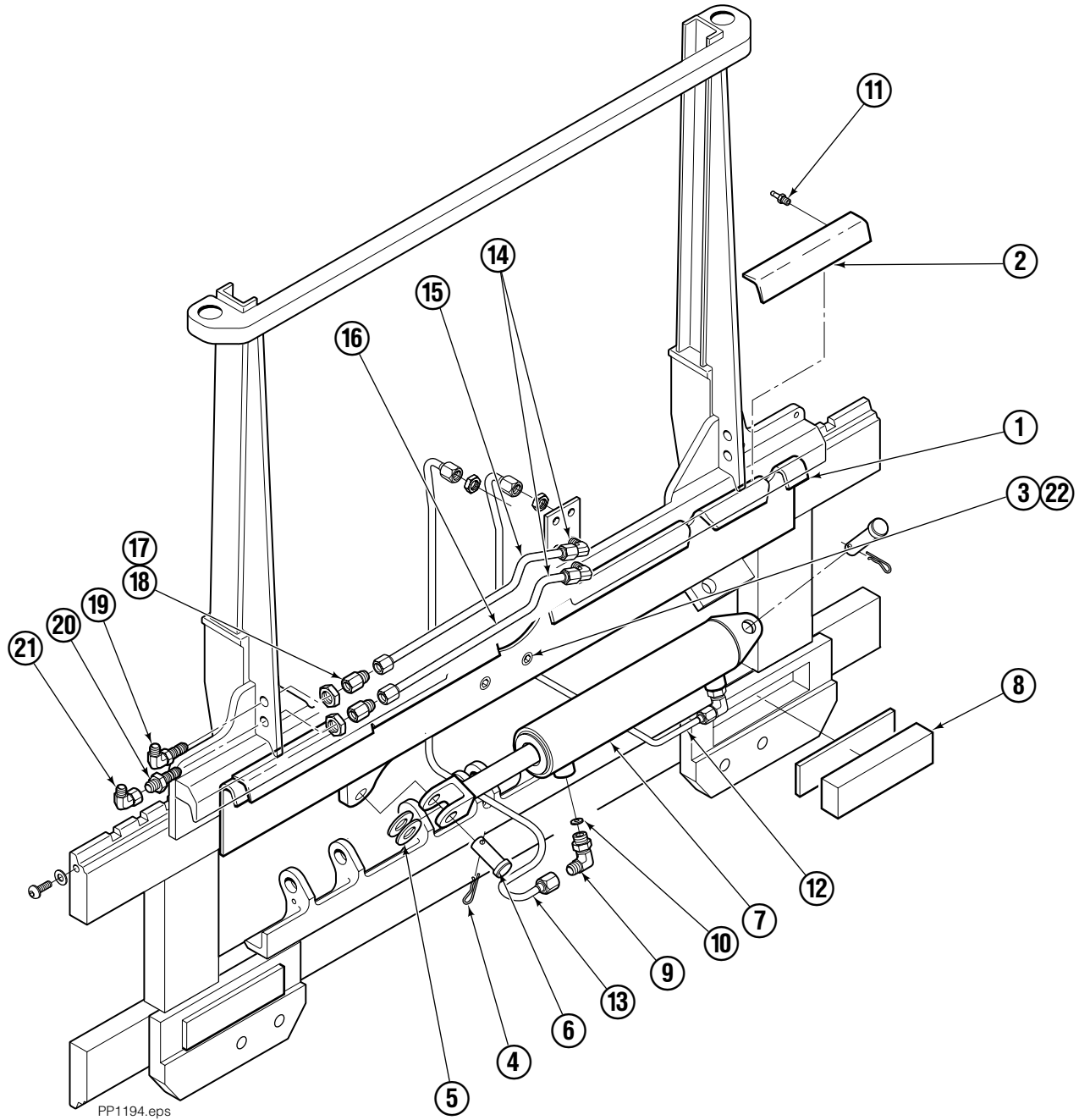
■ As required.

Frame Group



45E			
REF	QTY	PART NO.	DESCRIPTION
		6092005	Frame Group
1	1	6092002	Frame
2	3	2453	Fitting, 6-6
3	1	201735	Tube
4	1	201736	Tube
5	1	2680	Fitting, 6-6
6	1	2375	Fitting, 6-6
7	4	682850	Stop
8	2	768825	Capscrew, M12 x 20

S/S Mounting Group ITA II



35E/45E

REF	QTY	PART NO.	DESCRIPTION	REF	QTY	PART NO.	DESCRIPTION
		688837	Mounting Group	12	1	201737	Tube
1	1	200317	Anchor Bracket	13	1	201738	Tube
2	2	671165	■ Bearing Segment	14	2	2451	Fitting, 4-4
3	2	768759	Setscrew	15	1	200373	Tube
4	2	6517	Cotter Pin	16	1	200374	Tube
5	2	6234	Washer	17	2	2669	Fitting, 4-6
6	2	214036	Clevis Pin	18	2	2617	Fitting, 6-6
7	1	675548	Cylinder ●	19	1	2453	Fitting, 6-6
8	2	682814	Bearing	20	1	2375	Fitting, 6-6
9	2	666984	Fitting, 4-6	21	1	2680	Fitting, 6-6
10	2	675550	Washer	22	2	688387	Jam Nut
11	4	7403	■ Grease Fitting				

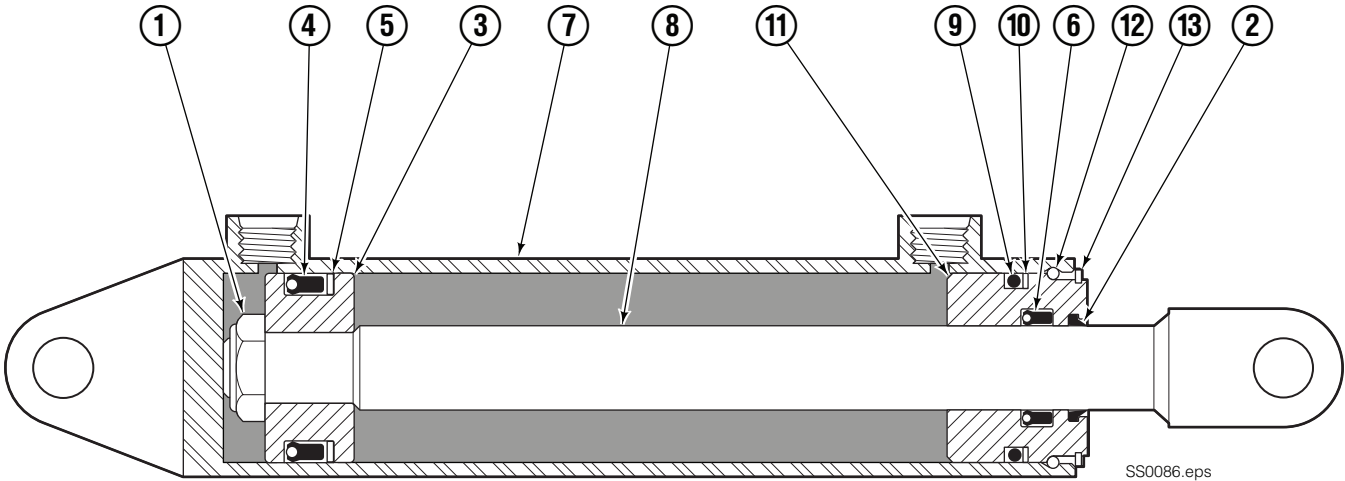
■ Included in Bearing Service Kit 671423.

● See Cylinder for parts breakdown.

cascade®

For Technical Assistance call: 800-227-2233, Fax: 888-329-8207
To Order Parts call: 888-227-2233, Fax: 888-329-0234

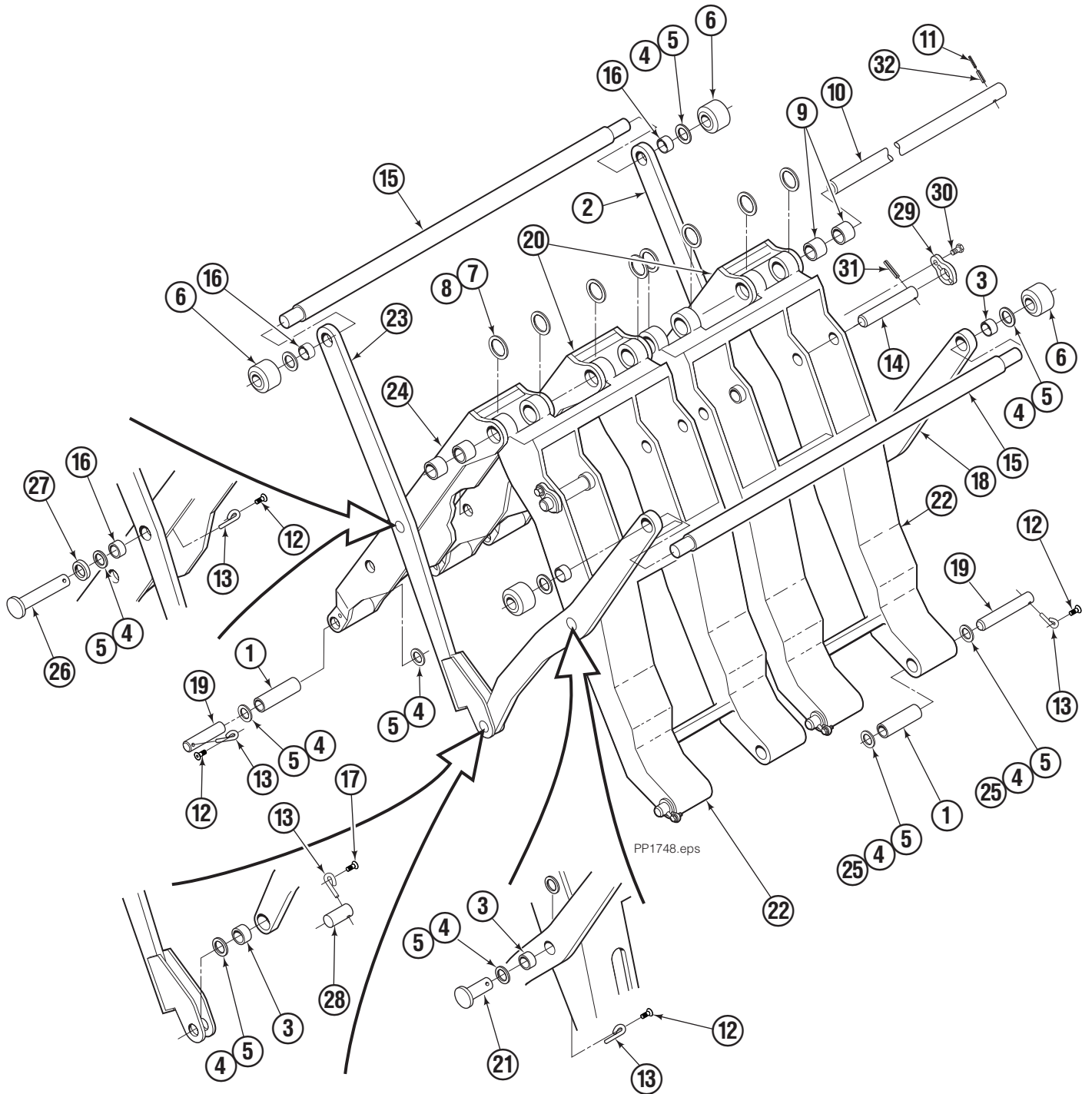
Sideshift Cylinder



REF	QTY	PART NO.	DESCRIPTION
		675548	Cylinder Assembly
1	1	553857	Nut
2	1	636851	■ Wiper
3	1	553501	Piston
4	1	662452	■ Seal
5	1	638247	■ Back-up Ring
6	1	641835	■ Seal
7	1	675549	Shell
8	1	553499	Rod
9	1	2785	■ O-Ring
10	1	615128	■ Back-up Ring
11	1	553500	Retainer
12	1	553856	Retaining Ring
13	1	7202	Retaining Ring
		553861	Service Kit

■ Included in Service Kit 553861.

Mechanism Group

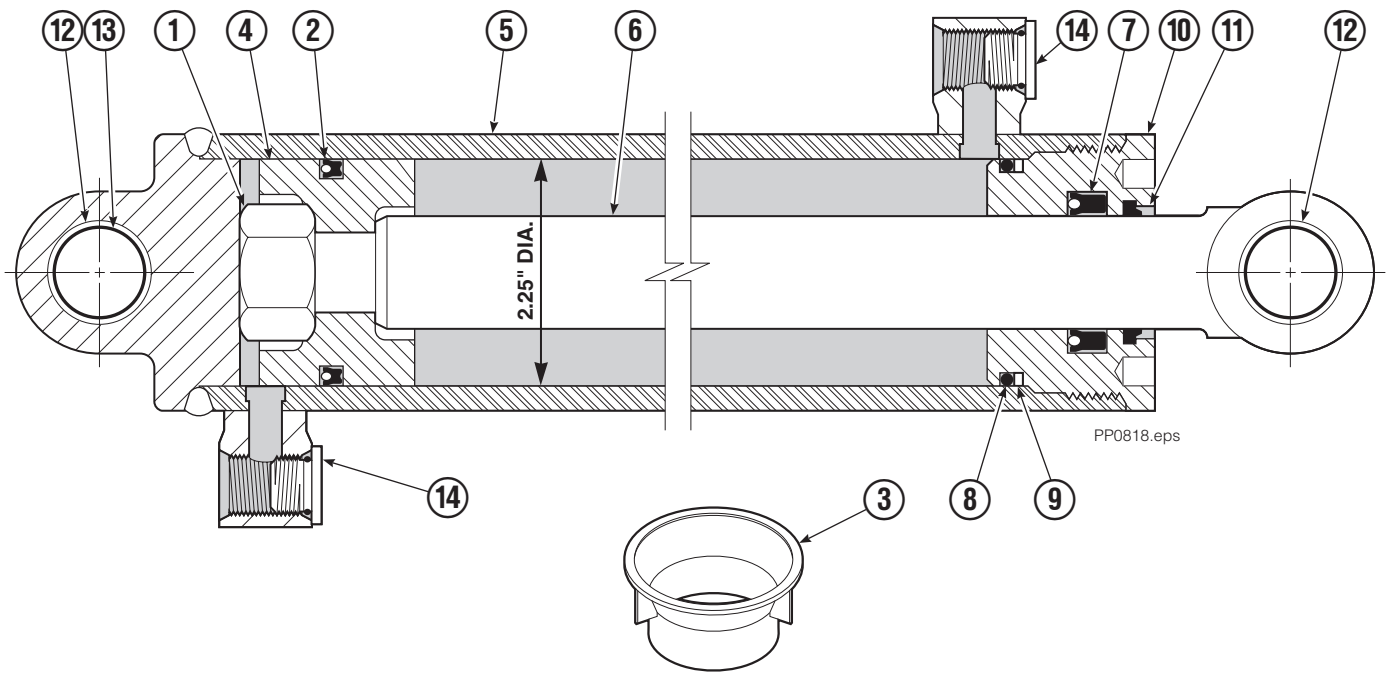


Mechanism Group

45E			
REF	QTY	PART NO.	DESCRIPTION
		204514	Mechanism Group
1	7	204535	◆ Bushing
2	1	204530	Arm – Secondary Outer RH
3	6	683154	◆ Bushing
4	●	683161	Shim (.030)
5	●	683162	Shim (.060)
6	4	205070	Roller
7	●	683163	Shim (.030)
8	●	683164	Shim (.060)
9	8	683155	◆ Bushing
10	1	204596	Pin
11	2	7873	Roll Pin – Inner
12	11	220862	Capscrew, M8 x 16
13	13	6020429	Eye Pin
14	2	682822	Pin – Head
15	2	205067	Pin
16	4	689202	◆ Bushing
17	2	6405877	Capscrew, M8 x 16
18	2	204528	Arm – Outer Primary
19	7	204533	Pin – Frame
20	2	204527	Arm – Inner Secondary RH
21	2	204695	Pin – Primary Outer
22	2	204525	Arm – Inner Primary
23	1	204529	Arm – Secondary Outer LH
24	1	204526	Arm – Inner Secondary LH
25	●	204532	Shim
26	2	200305	Pin – Secondary Outer
27	2	683165	Spacer
28	2	204534	Pin – Outer
29	2	6045015	Retainer
30	2	6047151	Capscrew, M8 x 16
31	2	7913	Roll Pin
32	2	7914	Roll Pin – Outer

- Quantity as required.
 - ◆ Included in Bushing Service Kit 205077.
- Reference: Arm Group 204531.

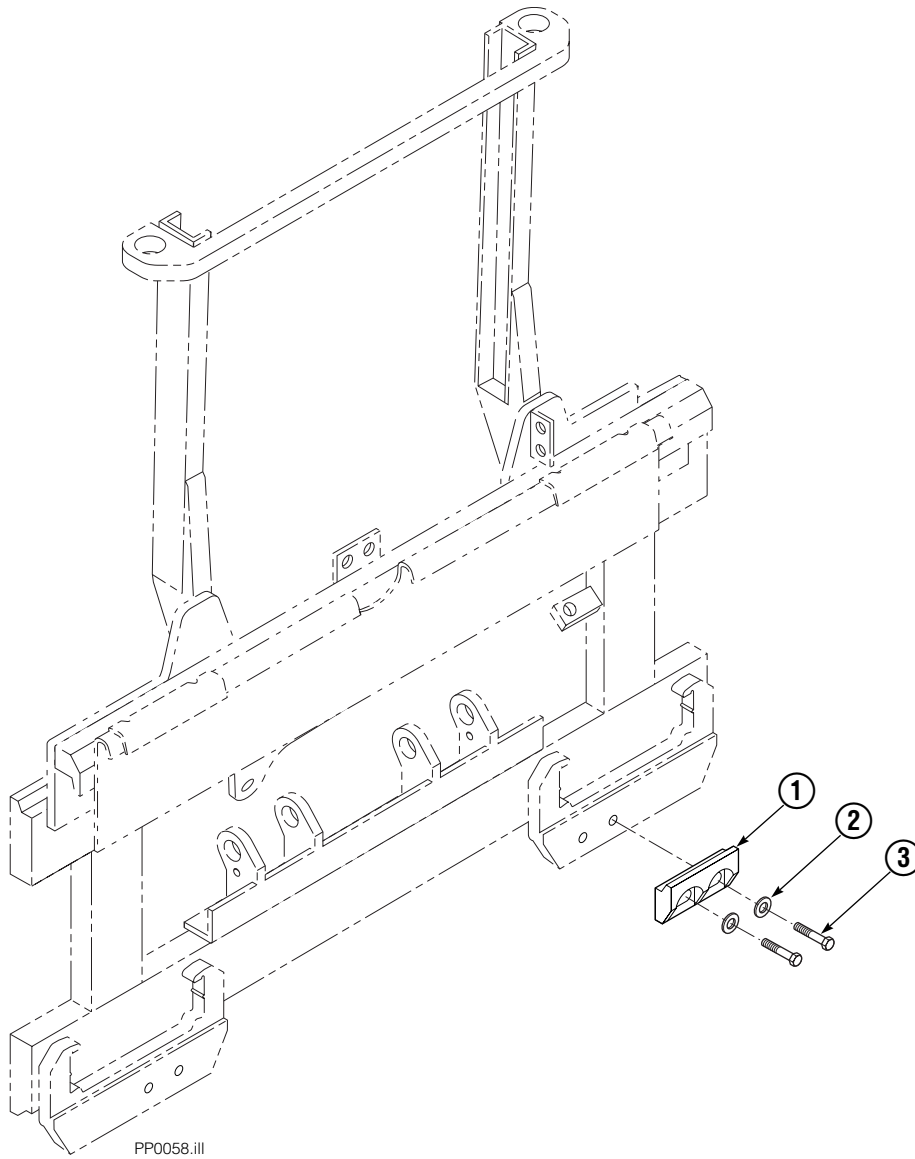
Cylinder Assembly



45E			
REF	QTY	PART NO.	DESCRIPTION
		582636	Cylinder Assembly
1	1	678019	Nut
2	1	564159	◆ Seal
3	1	671048	◆ Seal Loader Kit
4	1	564161	Piston
5	1	562717	Shell
6	1	558626	Rod
7	1	662448	◆ Seal
8	1	2787	◆ O-Ring
9	1	615130	◆ Back-Up Ring
10	1	558628	Retainer
11	1	636853	◆ Wiper
12	4	559697	Bearing
13	1	559698	Spacer
14	2	604510	Fitting, 6
		562339	Cylinder Service Kit

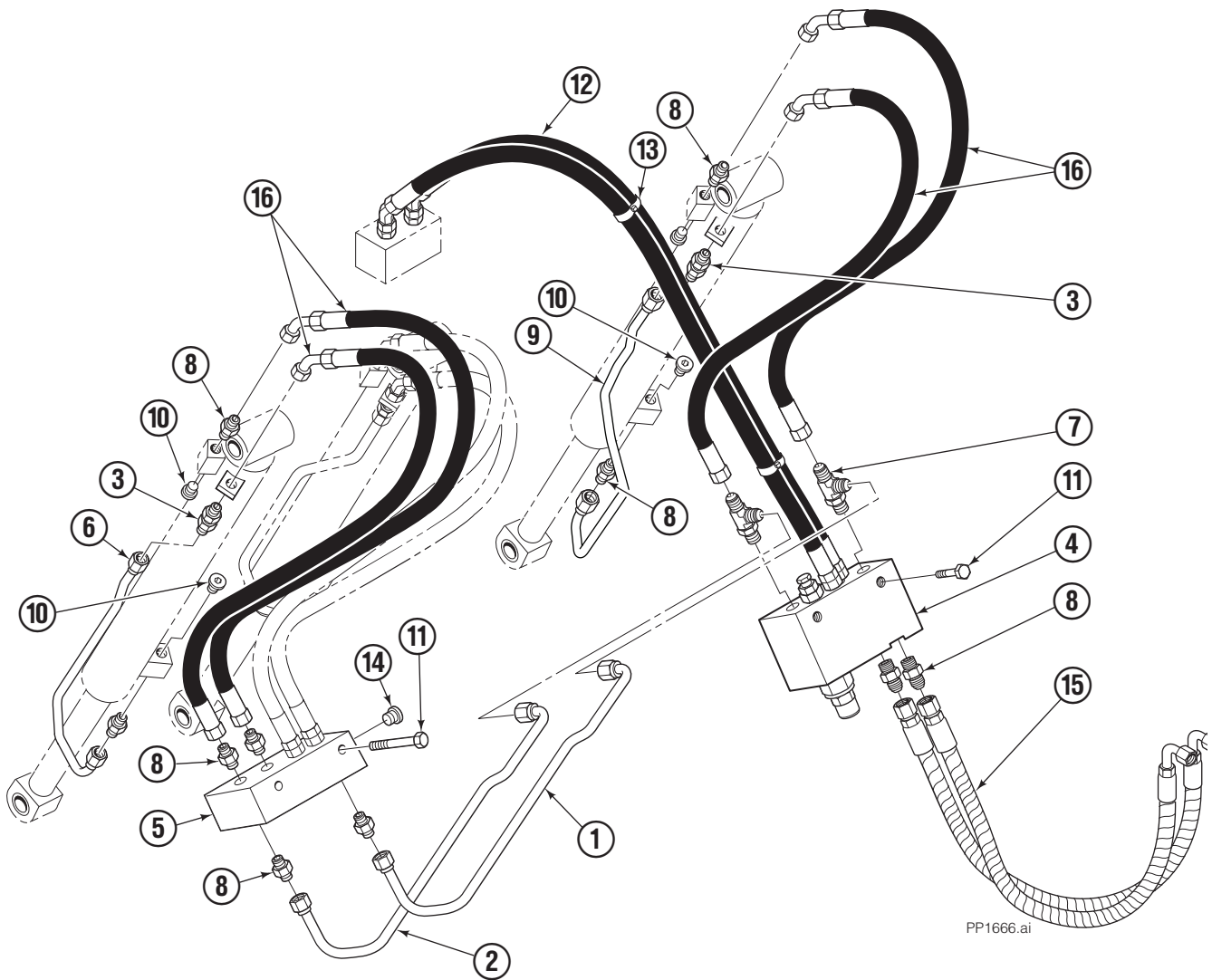
◆ Included in Service Kit 562339.

Bolt-On Lower Hook Group ITA II



35E/45E			
REF	QTY	PART NO.	DESCRIPTION
		683178	Lower Hook Group
1	2	679360	Hook
2	4	667225	Washer, .625
3	4	779010	Capscrew, M16 x 35

Hydraulic Group

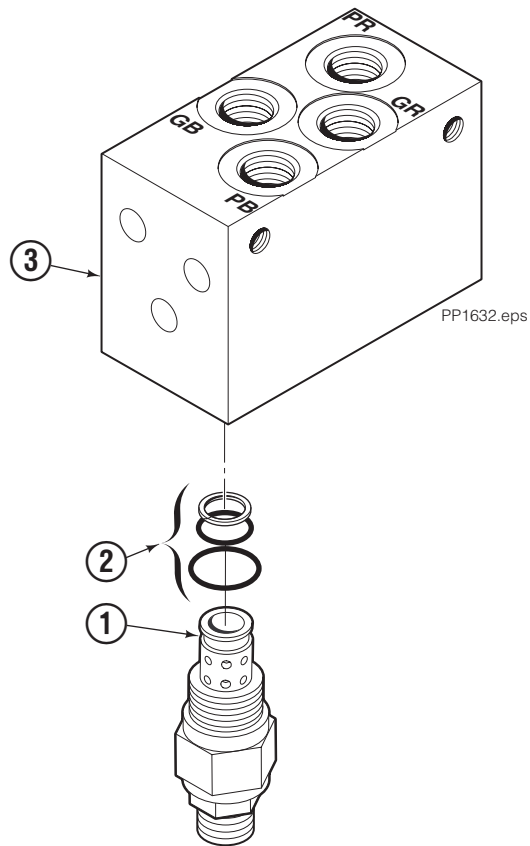


45E							
REF	QTY	PART NO.	DESCRIPTION	REF	QTY	PART NO.	DESCRIPTION
		6086193	Hydraulic Group	8	4	604511	Fitting, 6-6
1	1	6086267	◆ Tube	9	1	682995	◆ Tube
2	1	6086268	◆ Tube	10	4	604510	◆ Fitting, 6
3	2	2375	◆ Fitting, 6-6	11	4	765329	◆ Capscrew, M8 x 20
4	1	6085925	Valve ■	12	1	200320	Hose, Twinline, 74.00 in.
5	1	200372	◆ Junction Block	13	2	684956	Cable Tie
6	1	200647	◆ Tube	14	2	663694	◆ Plug, 3
7	2	611307	◆ Fitting, 6-6	15	2	200217	Hose, 26.00 in.
8	8	604511	◆ Fitting, 6-6	16	4	200527	◆ Hose, 26.00 in.

■ See Valve page for parts breakdown.
Reference: SK-5694.

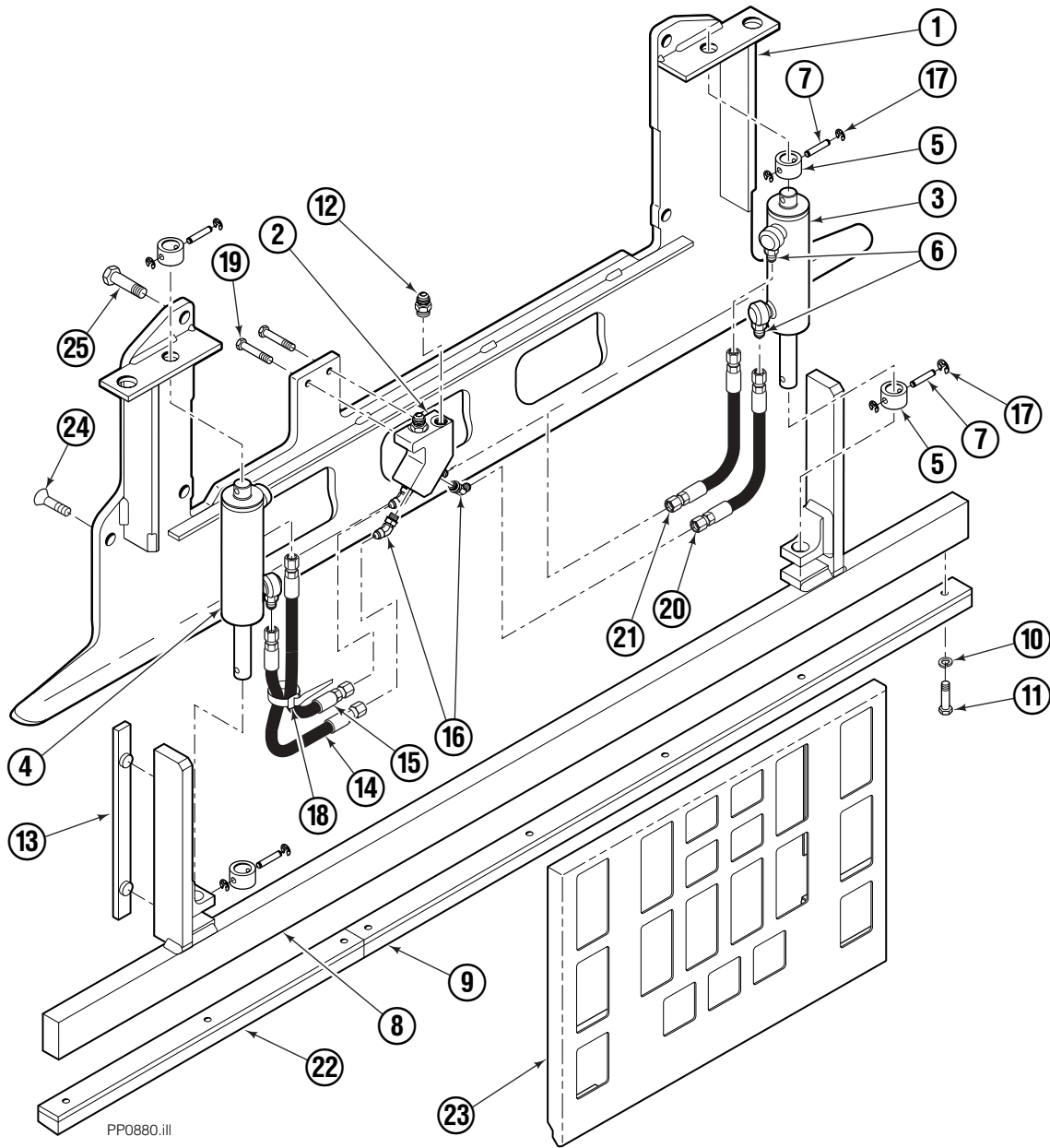
◆ Included in Hydraulic Components 6086269.

Valve Assembly



REF	QTY	PART NO.	DESCRIPTION
		6085925	Valve Assembly
1	1	6045016	Relief Valve
2	1	682170	Service Kit
3	1	6085927	Valve Body

Faceplate Group



PP0880.ill

45E

REF	QTY	PART NO.	DESCRIPTION	REF	QTY	PART NO.	DESCRIPTION
		6019138	Faceplate Group, 60 x 54 in. ■	13	2	686573	Bearing
		6020460	Gripper Jaw Assembly ●	14	1	6002138	Hose, 12.40 in.
1	1	6002161	Gripper Jaw	15	1	6002139	Hose, 17.72 in.
2	1	6002134	Valve	16	4	617918	Fitting, 4-4
3	1	6020444	Gripper Cylinder, LH ◆	17	8	669894	Retaining Ring
4	1	6020443	Gripper Cylinder, RH ◆	18	4	684956	Wire Tie
5	4	6020462	Collar	19	2	787373	Capscrew, M8 x 20
6	4	617915	Fitting, 4-4	20	1	6002163	Hose, 27.36 in.
7	4	6014089	Pin	21	1	6002164	Hose, 32.67 in.
8	1	6002162	Gripper Bar	22	1	689164	Gripper Pad
9	1	672712	Gripper Pad	23	1	6002168	Faceplate, 60 x 54 in. ■
10	8	680253	Lockwasher, M8	24	2	768714	Capscrew, M16 x 60
11	8	787375	Capscrew, M8 x 20	25	4	225346	Capscrew, M16 x 60
12	2	604511	Fitting, 6-6				

■ Width x height.

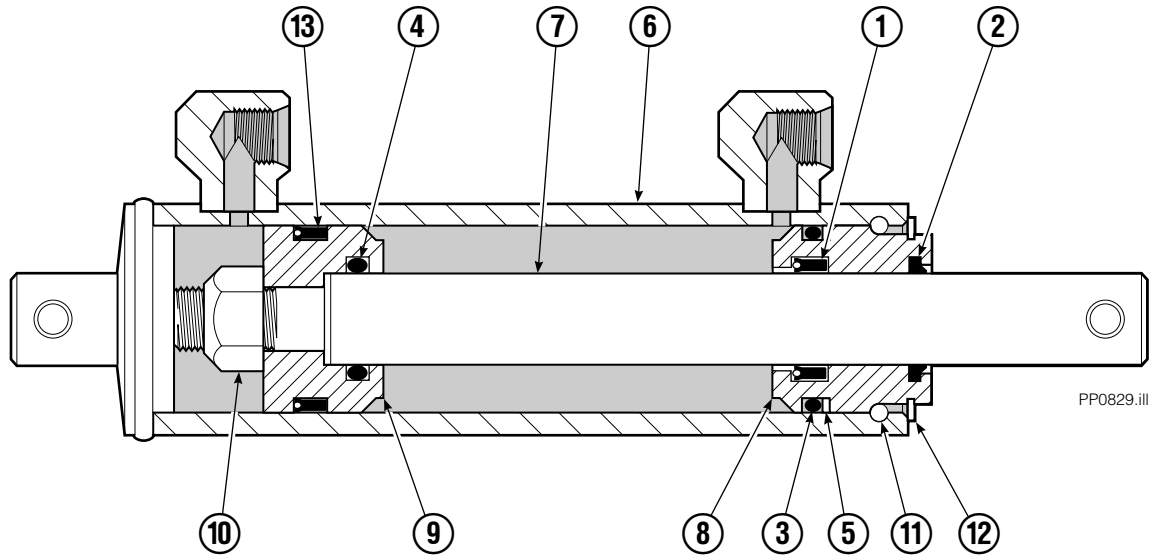
◆ See Gripper Cylinder page for parts breakdown.

● Includes items 1-22.

cascade®

For Technical Assistance call: 800-227-2233, Fax: 888-329-8207
To Order Parts call: 888-227-2233, Fax: 888-329-0234

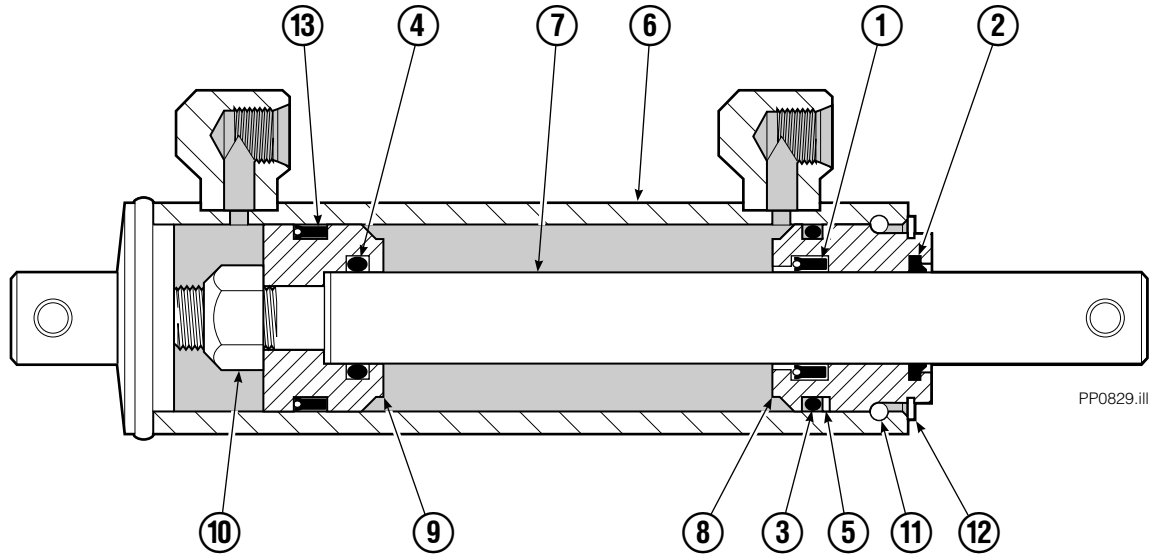
Gripper Cylinder Left Hand



REF	QTY	PART NO.	DESCRIPTION
		6020444	Gripper Cylinder – LH
1	1	646540	▼ Seal
2	1	636850	▼ Wiper
3	1	2718	▼ O-Ring
4	1	2710	▼ O-Ring
5	1	615122	▼ Back-Up Ring
6	1	6020453	Shell
7	1	6020461	Rod
8	1	685664	Retainer
9	1	685665	Piston
10	1	563462	Nut
11	1	563916	Ring
12	1	3137	Ring
13	1	663728	▼ Piston Seal

▼ Included in Service Kit 684827.

Gripper Cylinder Right Hand



REF	QTY	PART NO.	DESCRIPTION
		6020443	Gripper Cylinder – RH
1	1	646540	▼ Seal
2	1	636850	▼ Wiper
3	1	2718	▼ O-Ring
4	1	2710	▼ O-Ring
5	1	615122	▼ Back-Up Ring
6	1	6020452	Shell
7	1	6020461	Rod
8	1	685664	Retainer
9	1	685665	Piston
10	1	563462	Nut
11	1	563916	Ring
12	1	3137	Ring
13	1	663728	▼ Piston Seal

▼ Included in Service Kit 684827.

Do you have questions you need answered right now? Call your nearest Cascade Parts Department. Visit us online at www.cascorp.com

**Cascade Corporation
U.S. Headquarters**
2201 NE 201st
Fairview, OR 97024-9718
Tel: 800-CASCADE (227-2233)
FAX: 888-329-8207

Cascade Canada Inc.
5570 Timberlea Blvd.
Mississauga, Ontario
Canada L4W-4M6
Tel: 905-629-7777
FAX: 905-629-7785

Cascade GmbH
Niederwippekühl 1
58579 Schalksmühle
Germany
Tel: 02355-50900
FAX: 02355-509020

Cascade Finland
A. Petreliuksenkatu 3
01370 Vantaa
Finland
Tel: 09-8361925
FAX: 09-8361935

**Cascade N.V.
Benelux Sales and Service**
Damsluisweg 56
PO Box 3009
1300 El Almere
The Netherlands
Tel: 036-5492950
FAX: 036-5492974

Cascade Kenhar Ltd.
3 Kelbrook Road
Parkhouse Ind. Estate
Openshaw,
Manchester M11 2DD
England
Tel: 0800-243015
FAX: 0161-4384055

**Sales Scotland
Macade Systems Ltd.**
18 Melford Road
Righead Ind. Estate
Bellshill ML4 3LR
Scotland
Tel: 01698-845777
FAX: 01698-845888

Cascade (Africa) Pty. Ltd.
PO Box 625, Isando 1600
60A Steel Road
Sparton, Kempton Park
South Africa
Tel: 27-11-975-9240
FAX: 27-11-394-1147

Cascade Scandinavia AB
Hammarvägen 10
PO Box 124
S-56723 Vaggeryd
Sweden
Tel: 039-336950
FAX: 039-336959

**Cascade France
S.A.R.L. MHP**
1D Rue De Charaintru BP 18,
91360 Epinay-Sur-Orge
France
Tel: 01-6454-7500
FAX: 01-6454-7501

Cascade Hispania S.A.
Carrer 5, Sector C
Zona Franca Duanera
Poligono de la Zona Franca
08040 Barcelona, Spain
Tel: 93-264-07-30
FAX: 93-264-07-31

Cascade Italia S.R.L.
Via Dell'Artigianato 1
37050 Vago di Lavagno (VR)
Italy
Tel: 39-045-8989111
FAX: 39-045-8989160

Movimenta Lda.
Parque Industrial
Vale do Alecrim, Lote 108
2950-403 Palmela
Portugal
Tel: 351-212387340
FAX: 351-212387349

**Sales Switzerland
Fahrzeugbedarf**
8810, Horgen
Switzerland
Tel: 01-7279797
FAX: 01-7279798

Sales Poland
Targowa 35/61
03-728 Warszawa
Tel: 022-619 00 49
FAX: 022-619 00 49
Mobile Tel: 0501-27 29 55

Sales Russia
EMCG Material Handling
Equipment
Moscow
Tel: 095-795-2400
FAX: 095-795-2475
Email: emcg@emcg.ru

Cascade Japan Ltd.
2-23, 2-Chome,
Kukuchi Nishimachi
Amagasaki, Hyogo
Japan, 661-0978
Tel: 81-726-53-3490
FAX: 81-726-53-3497

Cascade Korea
121B 9L Namdong Ind.
Complex, 691-8 Gojan-Dong
Namdong-Ku
Inchon, 405-310 Korea
Tel: 82-32-821-2051
FAX: 82-32-821-2055

Cascade Australia
1445 Ipswich Road
Rocklea, QLD 4107
Australia
Tel: 1-800-227-223
FAX: 617-3373-7333

Cascade New Zealand
15 Ra Ora Drive
East Tamaki, Auckland
New Zealand
Tel: 64-9-273-9136
FAX: 64-9-273-9137

Cascade-Xiamen
No. 668 Yangguang Rd.
Xinyang Industrial Zone
Haicang, Xiamen City
Fujian Province
P.R. China 361026
Tel: 86-592-651-2500
FAX: 86-592-651-2571

**Sunstream Industries
Pte Ltd.**
No. 3 Tuas Link 1
2263
Singapore
Tel: 65-6863-3488
FAX: 65-6863-1368

**Cascade do Brasil
LTDA**
Rua João Guerra, 134
Macuco, Santos - SP
Brasil 11015-130
Tel: 55-13-2105-8800
Fax: 55-13-2105-8899

