



Parts Manual

Model _____ Rotator _____

Serial Number _____ 45G-RRB-13A R2 _____

cascade®
corporation

For Technical Assistance call: 800-227-2233, Fax: 888-329-8207

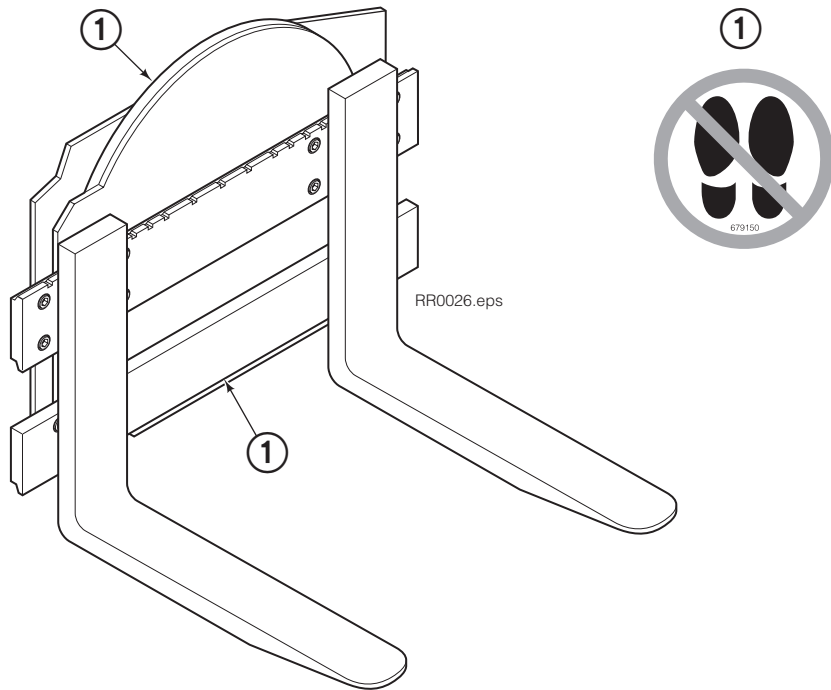
To Order Parts call: 888-227-2233, Fax: 888-329-0234

OR

Write: Cascade Corporation, P.O. Box 20187, Portland, OR 97220

Internet: www.cascorp.com

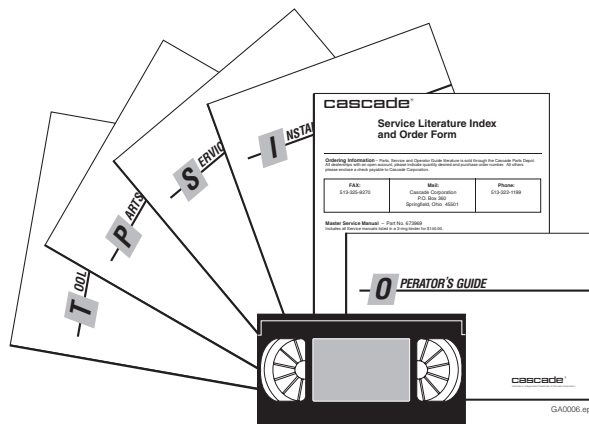
Safety Decals



RR0026.eps

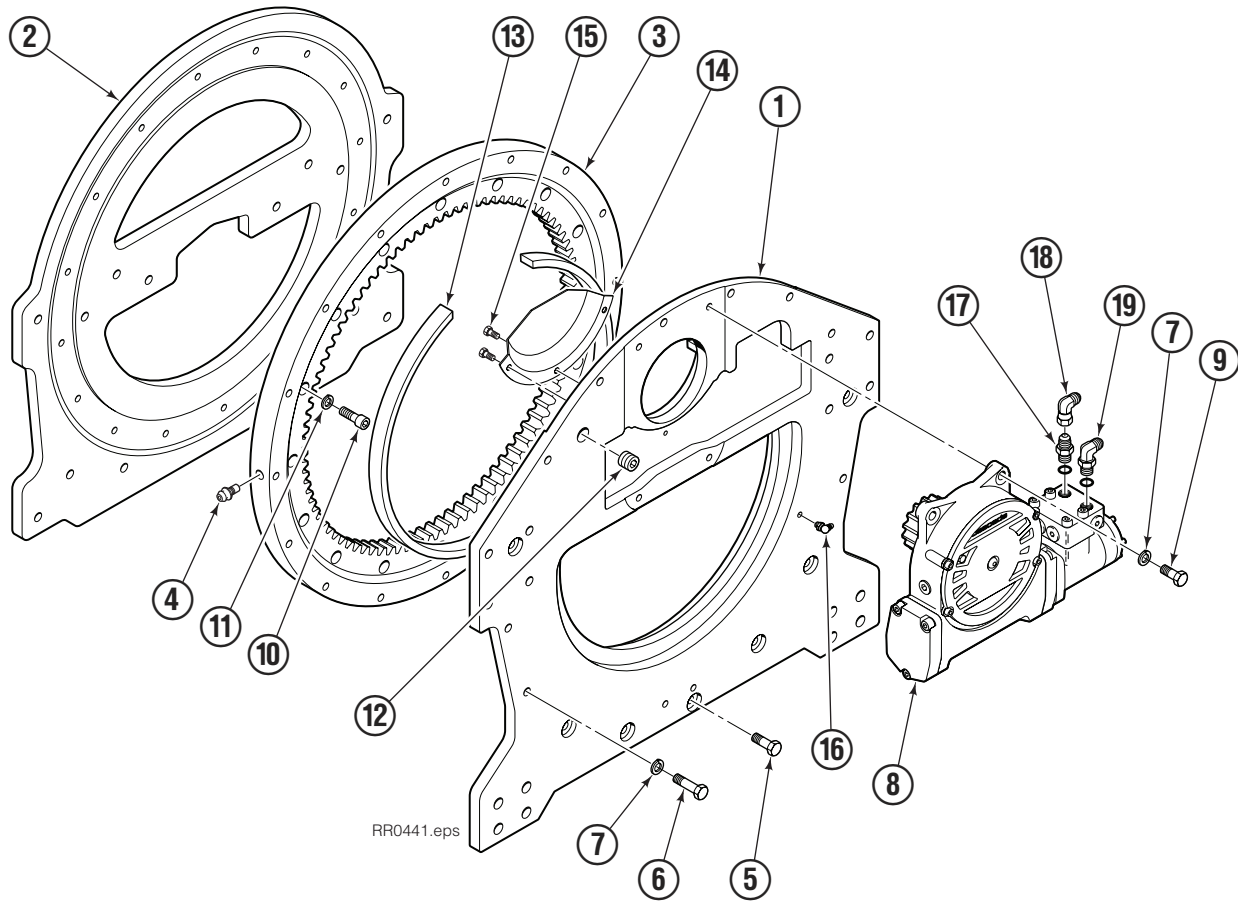
G Rotator			
REF	QTY	PART NO.	DESCRIPTION
1	1	679150	No Step Decal

Publications



G Rotator	
6073002	Installation Instructions
672714	Operator Guide
6073955	Service Manual
679929	Tool Catalog
673964	Literature Index Order Form

Rotator Group



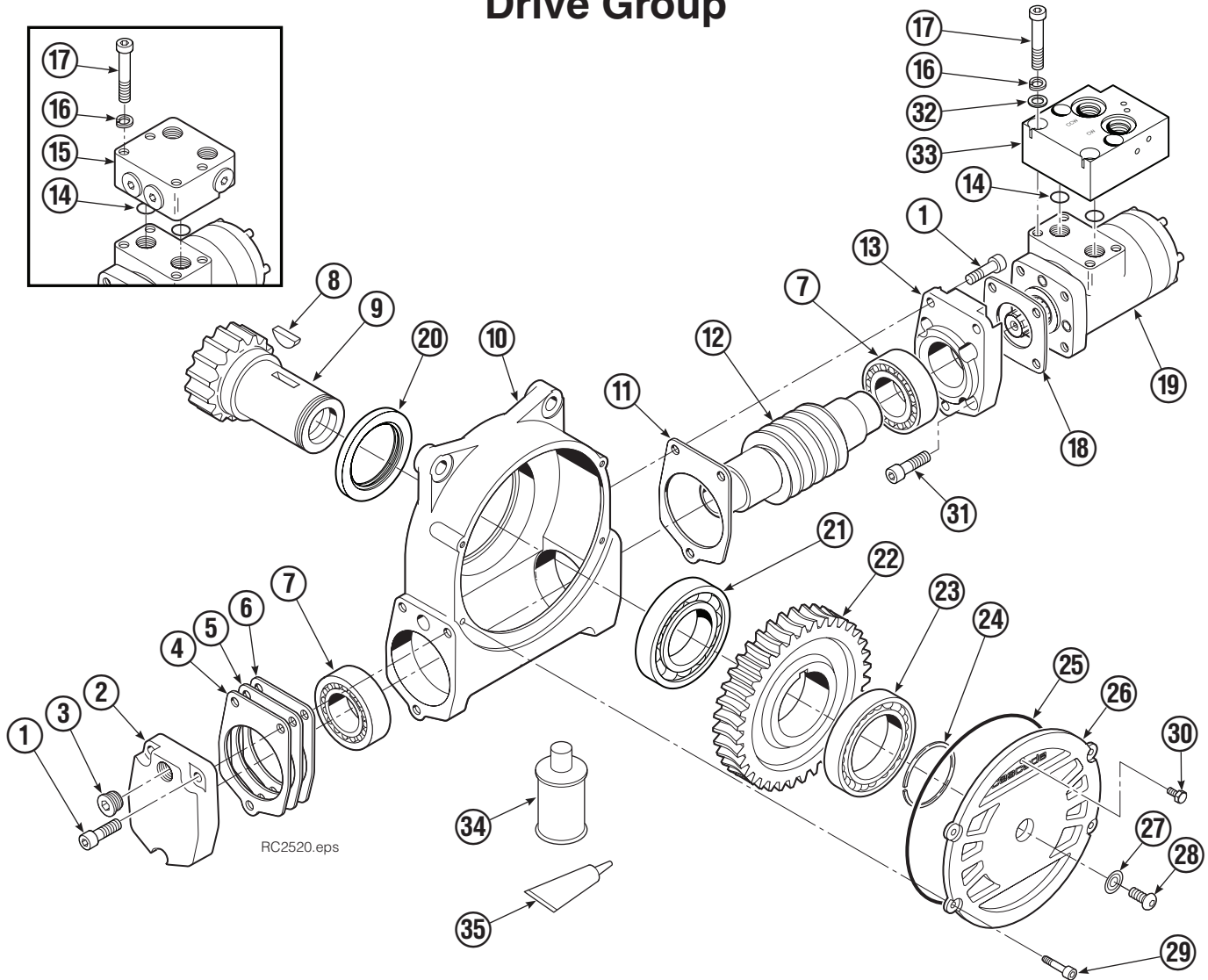
45G			
REF	QTY	PART NO.	DESCRIPTION
		6055356	Rotator Group
1	1	6051999	Baseplate
2	1	6055313	Faceplate
3	1	775434	Bearing Assembly
4	1	7401	Grease Fitting
5	7	212305	Capscrew, M12 x 35
6	9	206174	Capscrew, M12 x 45
7	13	683822	Lockwasher, M12
8	1	368073	Drive Group ◆
9	4	763021	Capscrew, M12 x 30
10	16	769572	Capscrew, M12 x 35
11	16	678991	Lockwasher, M12
12	1	6605	Plug
13	1	6036248	Seal
14	1	6036287	Cover Plate
15	3	767961	Capscrew, M8 x 16
16	1	7406	Grease Fitting
17	1	601377	Fitting, 8-8 ■
18	1	605761	Fitting, 8-8 ■
19	1	601250	Fitting, 8-8 ■

◆ See Drive Group page for parts breakdown.

■ Included in Fitting Group 212367.

Reference: Common Parts 6052002, Fastener Kit 6059211.

Drive Group



REF	QTY	PART NO.	DESCRIPTION	REF	QTY	PART NO.	DESCRIPTION
		368073	Drive Group with 2.2 c.i. Motor	19	1	206406	Drive Motor – 2.2 c.i. ■
1	6	769570	Capscrew, M12 x 25	20	1	3014870	Seal
2	1	676855	Cover	21	1	6033892	Bearing ★
3	1	604510	Fitting, 6	22	1	675609	Worm Gear
4	●	670574	Shim – .010" (brown)	23	1	670581	Bearing
5	●	671757	Shim – .015" (pink)	24	1	7214	Snap Ring
6	●	671758	Shim – .020" (yellow)	25	1	643423	O-Ring
7	2	670579	Bearing	26	1	775552	Cover
8	1	670582	Key	27	1	783609	Seal
9	1	670506	Pinion	28	1	783608	Capscrew, M12 x 16
10	1	775551	Housing	29	4	200882	Capscrew, M8 x 20
11	1	686465	Gasket	30	1	644010	Relief Fitting
12	1	675608	Worm	31	4	4468	Capscrew, 3/8 x .75
13	1	775553	Adapter	32	4	221494	Washer, M8
14	2	2705	O-Ring	33	1	6063316	Check Valve ◆
15	1	670549	Check Valve ◆	34	1	656300	Gear Box Lube – 48 oz.
16	4	6444	Lockwasher	35	1	668184	Sealant
17	4	607059	Capscrew, 5/16 x 1.75			670578	Shim Service Kit (items 4-6,11,25,35)
18	1	670575	Gasket			212919	Motor Kit–2.2 (items 11,14,18,19,35)

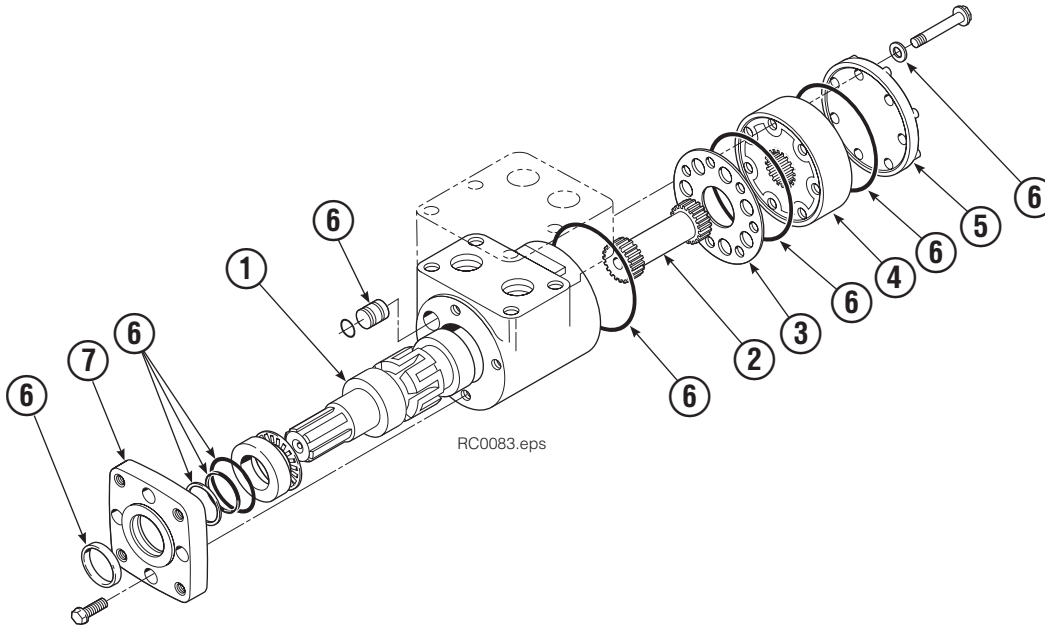
● Quantity as required.

◆ See Valve page for parts breakdown.

■ See Drive Motor page for parts breakdown.

★ For service replacement use Bearing 670580.

Drive Motor

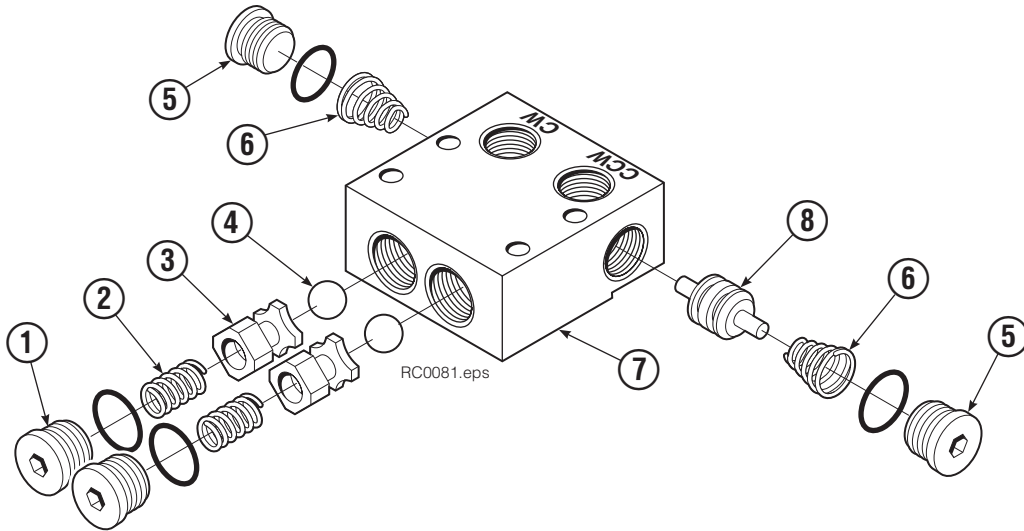


REF	QTY	PART NO.	DESCRIPTION
		206406	Drive Motor – 2.2 c.i.
1	1	675478	Shaft
2	1	675477	Drive
3	1	675479	Spacer Plate
4	1	675480	Gerotor Set (101-1768-007) ■
	1	685074	Gerotor Set (101-1768-009) ■
5	1	675482	End Cap
6	1	206405	Service Kit ●
7	1	685089	Flange (101-1768-007) ■
	1	685090	Flange (101-1768-009) ■

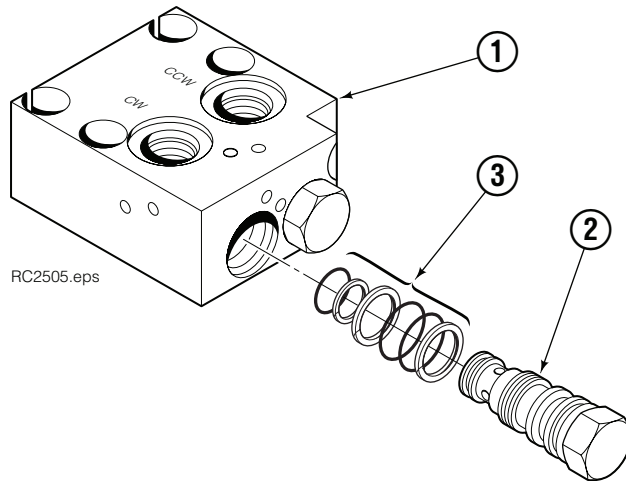
Cascade provides service replacement parts for the listed parts only. Due to cost, if other parts need replacement, the complete drive motor should be replaced.

- See Nameplate under valve for correct part number of Gerotor Set and Flange.
- Compatible with water glycol based hydraulic fluids.

Check Valve

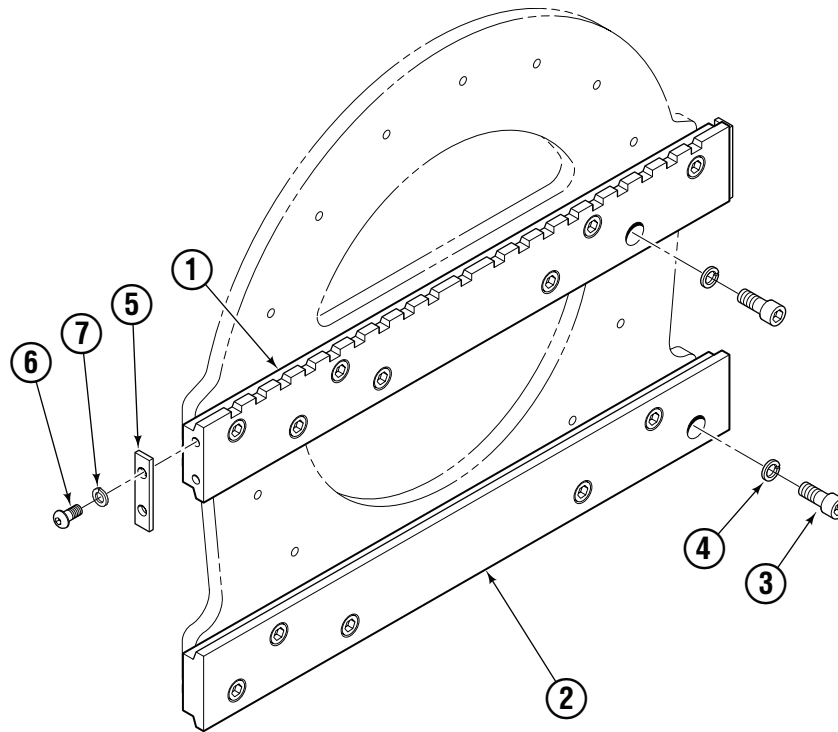


REF	QTY	PART NO.	DESCRIPTION
		670549	Check Valve Assembly
1	2	609453	Fitting, 10
2	2	670552	Spring
3	2	670551	Guide
4	2	7020	Ball
5	2	602580	Fitting, 8
6	2	673989	Spring
7	1	670550	Body
8	1	670553	Spool



REF	QTY	PART NO.	DESCRIPTION
		6063316	Check Valve Assembly
1	1	6063282	Valve Body
2	2	6038929	Check Valve - PO
3	2	667516	Service Kit

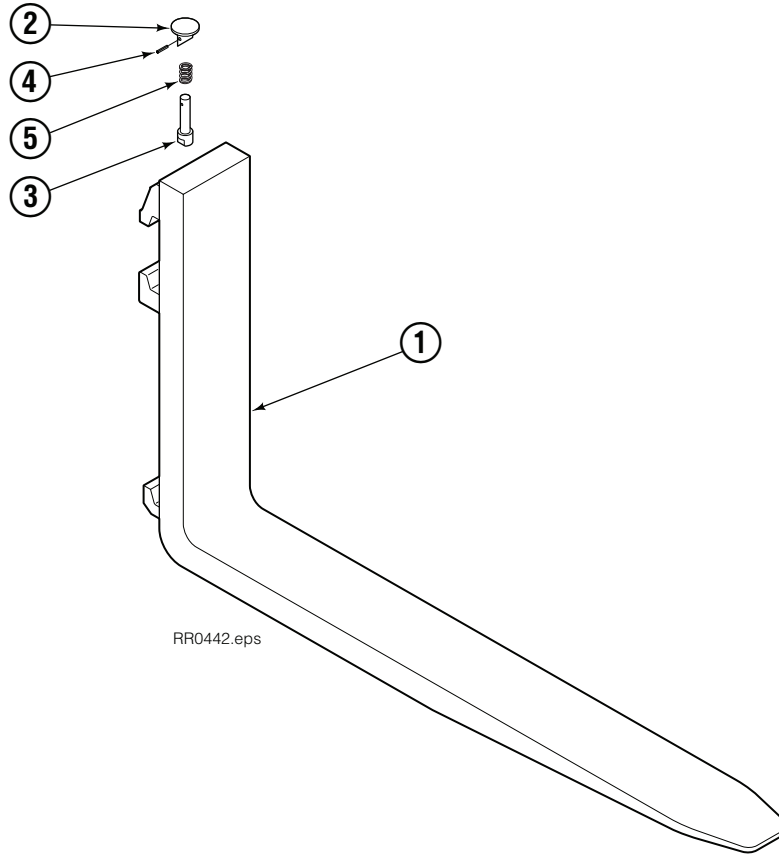
Fork Bar Group



RR0444.eps

45G			
REF	QTY	PART NO.	DESCRIPTION
		6055346	Fork Bar Group
1	1	6055348	Upper Bar
2	1	6055347	Lower Bar
3	14	769574	Capscrew, M16 x 35
4	14	678992	Lockwasher, M16
5	2	6052240	Keeper
6	4	680084	Capscrew, M12 x 25
7	4	683822	Lockwasher, M12

Fork Group

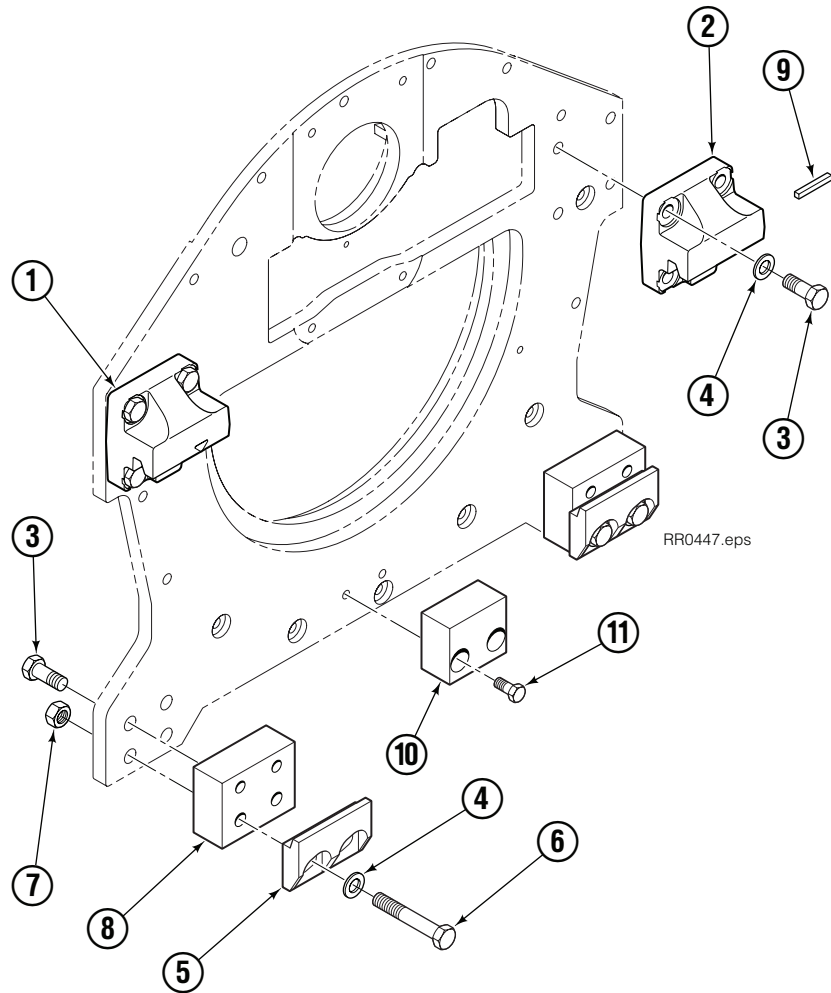


45G			
REF	QTY	PART NO.	DESCRIPTION
		6055344	Fork Assembly
1	1	6055340	Fork
2	1	7000209	Knob ◆
3	1	7000194	Pin ◆
4	1	7000210	Coiled Spring Pin ◆
5	1	700196	Spring ◆

◆ Included in Pin Kit 7000031.

Reference: S-22588.

Bolt-On Mounting Group



Class II, 0°			
REF	QTY	PART NO.	DESCRIPTION
		6051543	Mounting Group
1	1	670523	Upper Hook – LH
2	1	670524	Upper Hook – RH
3	12	766154	Capscrew, M16 x 40
4	12	217637	Washer, M16
5	2	675968	Lower Hook
6	4	765612	Capscrew, M16 x 100
7	4	781534	Nut, M16
8	2	781400	Spacer
9	1	669344	Stop Block Kit
10	1	680683	Center Spacer
11	2	767810	Capscrew, M12 x 25

Do you have questions you need answered right now? Call your nearest Cascade Parts Department. Visit us online at www.cascorp.com

**Cascade Corporation
U.S. Headquarters**
2201 NE 201st
Fairview, OR 97024-9718
Tel: 800-CASCADE (227-2233)
FAX: 888-329-8207

Cascade Canada Inc.
5570 Timberlea Blvd.
Mississauga, Ontario
Canada L4W-4M6
Tel: 905-629-7777
FAX: 905-629-7785

Cascade GmbH
Niederwippekühl 1
58579 Schalksmühle
Germany
Tel: 02355-50900
FAX: 02355-509020

Cascade Finland
A. Petreliuksenkatu 3
01370 Vantaa
Finland
Tel: 09-8361925
FAX: 09-8361935

**Cascade N.V.
Benelux Sales and Service**
Damsluisweg 56
PO Box 3009
1300 El Almere
The Netherlands
Tel: 036-5492950
FAX: 036-5492974

Cascade Kenhar Ltd.
3 Kelbrook Road
Parkhouse Ind. Estate
Openshaw,
Manchester M11 2DD
England
Tel: 0800-243015
FAX: 0161-4384055

**Sales Scotland
Macade Systems Ltd.**
18 Melford Road
Righead Ind. Estate
Bellshill ML4 3LR
Scotland
Tel: 01698-845777
FAX: 01698-845888

Cascade (Africa) Pty. Ltd.
PO Box 625, Isando 1600
60A Steel Road
Sparton, Kempton Park
South Africa
Tel: 27-11-975-9240
FAX: 27-11-394-1147

Cascade Scandinavia AB
Hammarvägen 10
PO Box 124
S-56723 Vaggeryd
Sweden
Tel: 039-336950
FAX: 039-336959

**Cascade France
S.A.R.L. MHP**
1D Rue De Charaintru BP 18,
91360 Epinay-Sur-Orge
France
Tel: 01-6454-7500
FAX: 01-6454-7501

Cascade Hispania S.A.
Carrer 5, Sector C
Zona Franca Duanera
Poligono de la Zona Franca
08040 Barcelona, Spain
Tel: 93-264-07-30
FAX: 93-264-07-31

Cascade Italia S.R.L.
Via Dell'Artigianato 1
37050 Vago di Lavagno (VR)
Italy
Tel: 39-045-8989111
FAX: 39-045-8989160

Movimenta Lda.
Parque Industrial
Vale do Alecrim, Lote 108
2950-403 Palmela
Portugal
Tel: 351-212387340
FAX: 351-212387349

**Sales Switzerland
Fahrzeugbedarf**
8810, Horgen
Switzerland
Tel: 01-7279797
FAX: 01-7279798

Sales Poland
Targowa 35/61
03-728 Warszawa
Tel: 022-619 00 49
FAX: 022-619 00 49
Mobile Tel: 0501-27 29 55

Sales Russia
EMCG Material Handling
Equipment
Moscow
Tel: 095-795-2400
FAX: 095-795-2475
Email: emcg@emcg.ru

Cascade Japan Ltd.
5-5-41,
Torikai Kami
Settsu, Osaka
Japan, 566
Tel: 81-726-53-3490
FAX: 81-726-53-3497

Cascade Korea
121B 9L Namdong Ind.
Complex, 691-8 Gojan-Dong
Namdong-Ku
Inchon, 405-310 Korea
Tel: 82-32-821-2051
FAX: 82-32-821-2055

Cascade Australia
1445 Ipswich Road
Rocklea, QLD 4107
Australia
Tel: 1-800-227-223
FAX: 617-3373-7333

Cascade New Zealand
15 Ra Ora Drive
East Tamaki, Auckland
New Zealand
Tel: 64-9-273-9136
FAX: 64-9-273-9137

Cascade-Xiamen
No. 668 Yangguang Rd.
Xinyang Industrial Zone
Haicang, Xiamen City
Fujian Province
P.R. China 361026
Tel: 86-592-651-2500
FAX: 86-592-651-2571

**Sunstream Industries
Pte Ltd.**
No. 3 Tuas Link 1
2263
Singapore
Tel: 65-6863-3488
FAX: 65-6863-1368

**Cascade do Brasil
Distribuidora de Garras
e Garfos LTDA**
R. Joao Guerra, 134
Macuco-Santos
Sao Paulo - SP
Brasil 11015-130
Tel: 55-11-5016-2484
Fax: 55-11-5013-2809

