



Parts Manual

Model Push-Pull

Serial Number 45E-PLB-169

cascade[®]
corporation

For Technical Assistance call: 800-227-2233, Fax: 888-329-8207

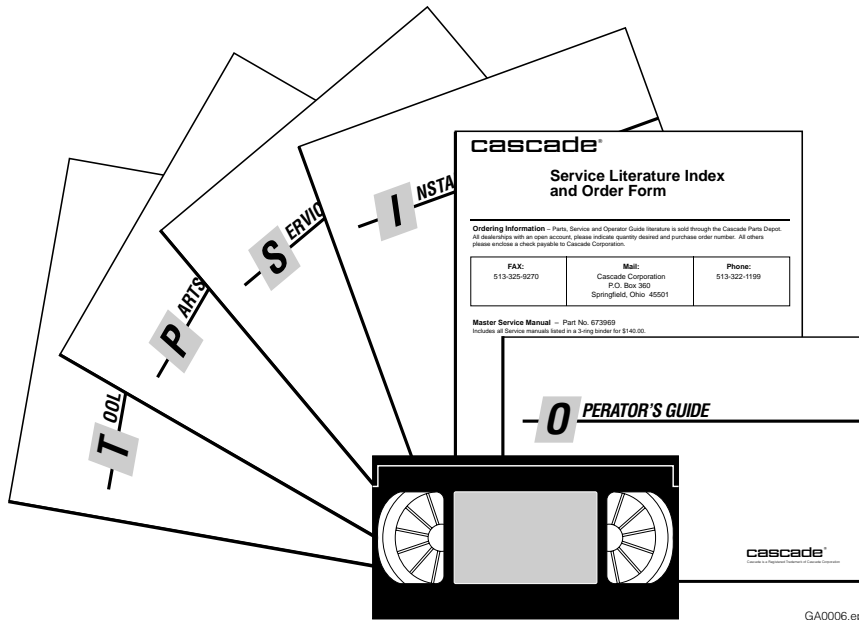
To Order Parts call: 888-227-2233, Fax: 888-329-0234

OR

Write: Cascade Corporation, P.O. Box 20187, Portland, OR 97220

Internet: www.cascorp.com

Publications



GA0006.eps

PART NO.	DESCRIPTION
	Parts Manual
686455	Service Manual
684945	Operators Guide
685531	Operators Pocket Guide
684944	Installation Instructions
680664	Servicing Cascade Cylinders-VHS
679929	Tool Catalog
673964	Literature Index Order Form

Decals



Optional Faceplate Extension



Part No. 679150
(1 Place & 1 optional)



Part No. 665595
(2 Place & 2 optional)



Part No. 656038
(6 Places)

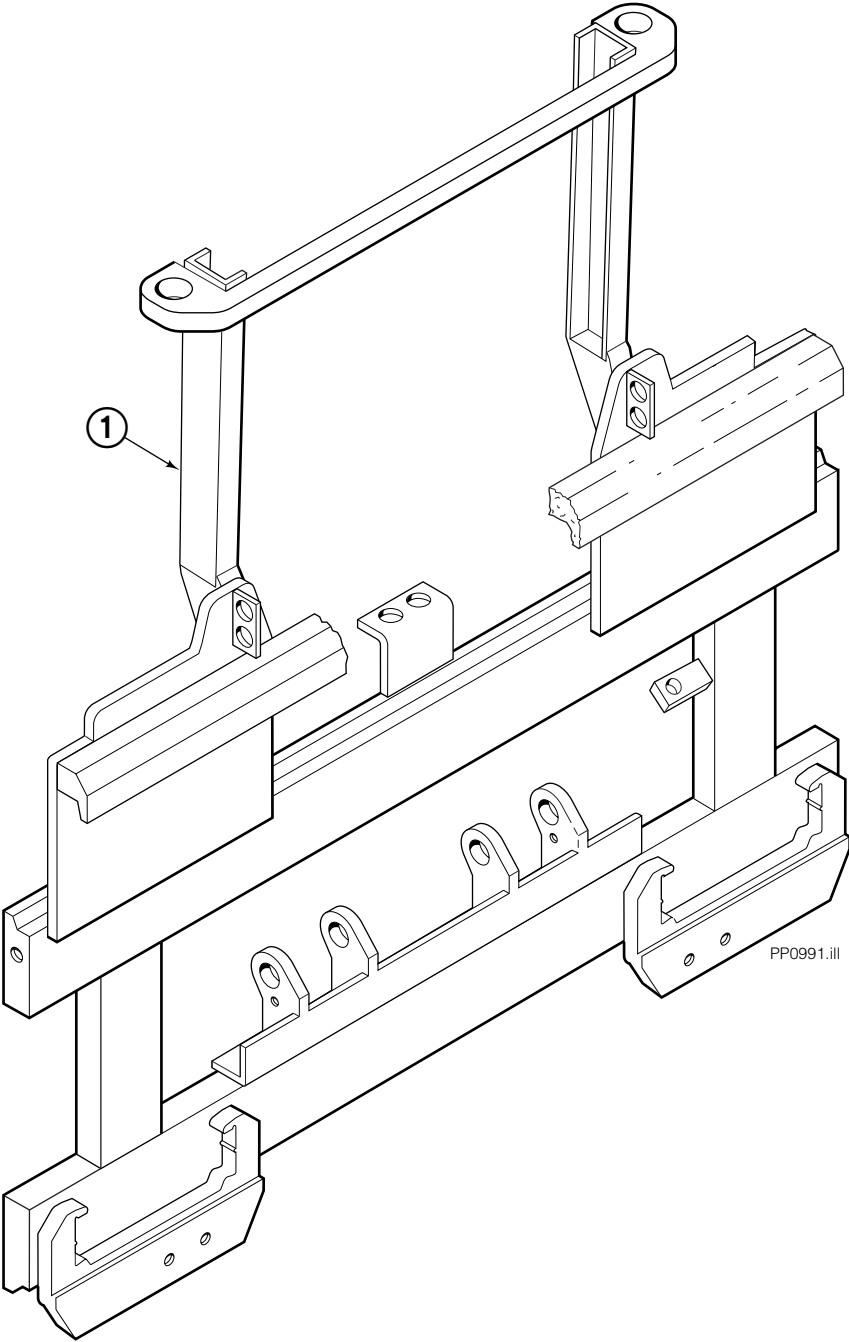


Part No. 679059
(1 Place if equipped with Quick Change Hooks)



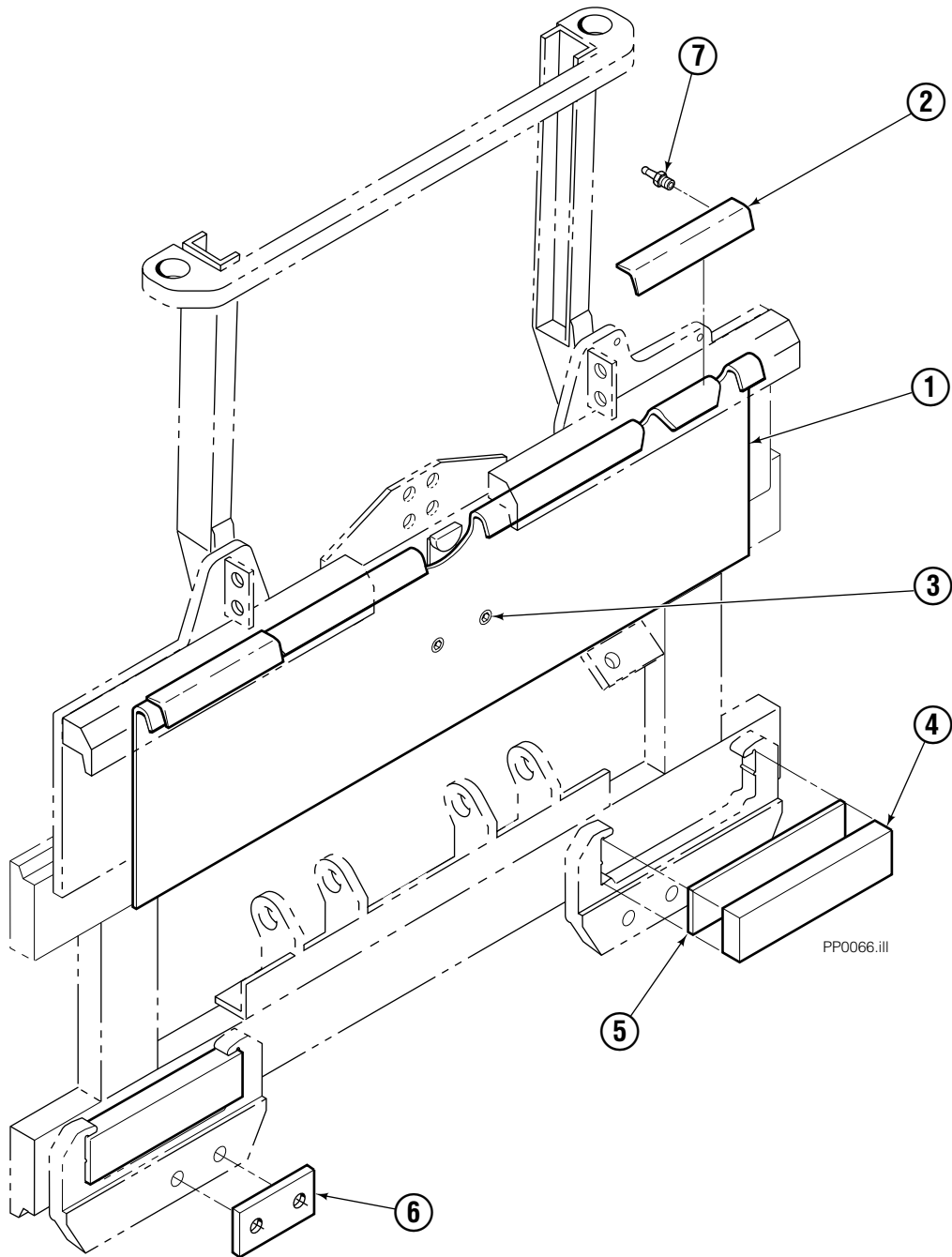
PP0060.iii

Frame ITA III



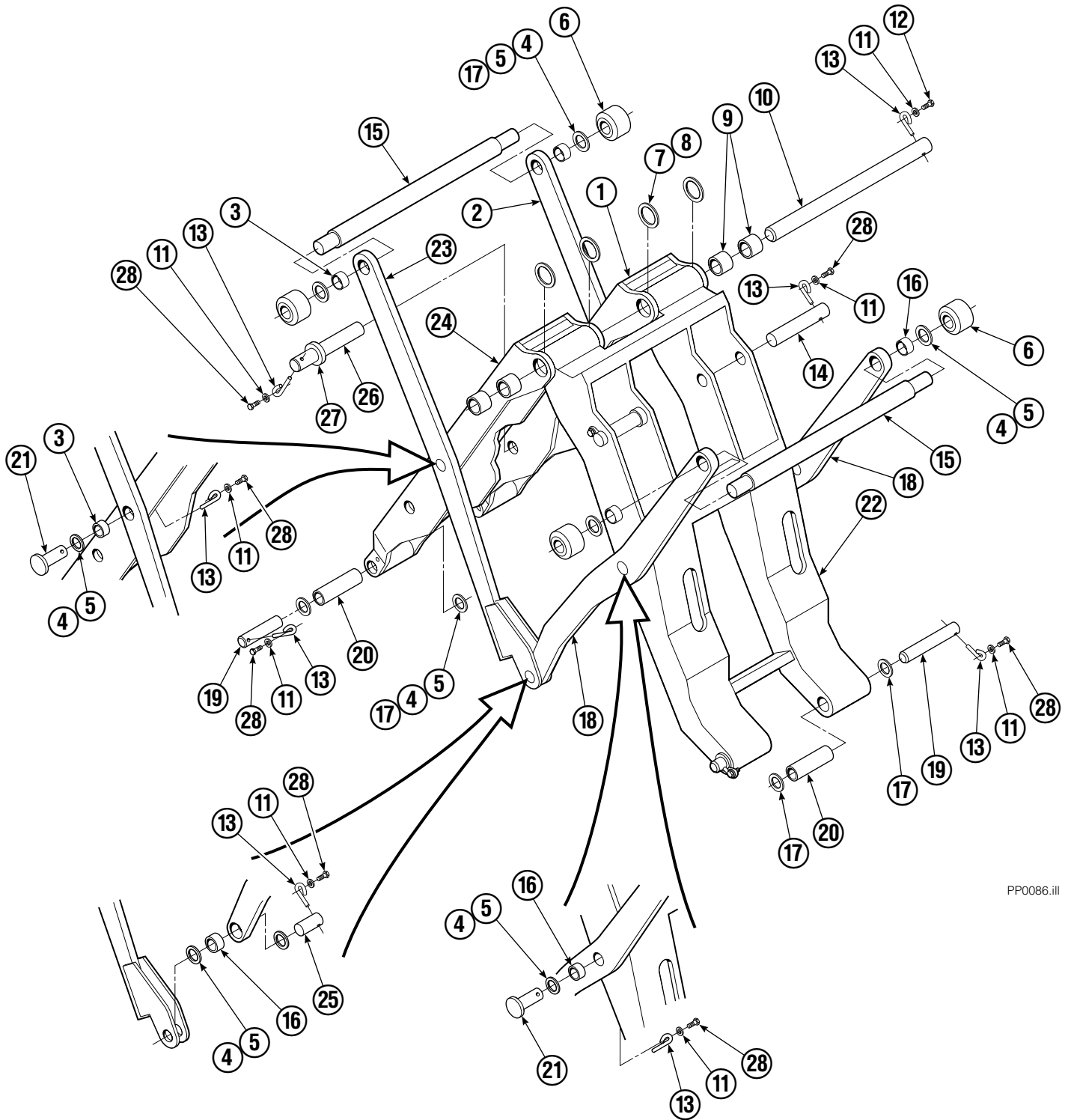
45E			
REF	QTY	PART NO.	DESCRIPTION
1	1	397977	Frame

Non S/S Mounting Group ITA III



45E			
REF	QTY	PART NO.	DESCRIPTION
		682834	Mounting Group
1	1	682552	Anchor Bracket
2	1	672018	Bearing Segment
3	2	768759	Setscrew
4	2	682814	Bearing
5	2	683250	Strip
6	2	683218	Spacer
7	4	7403	Grease Fitting

Mechanism Group



PP0086.iii

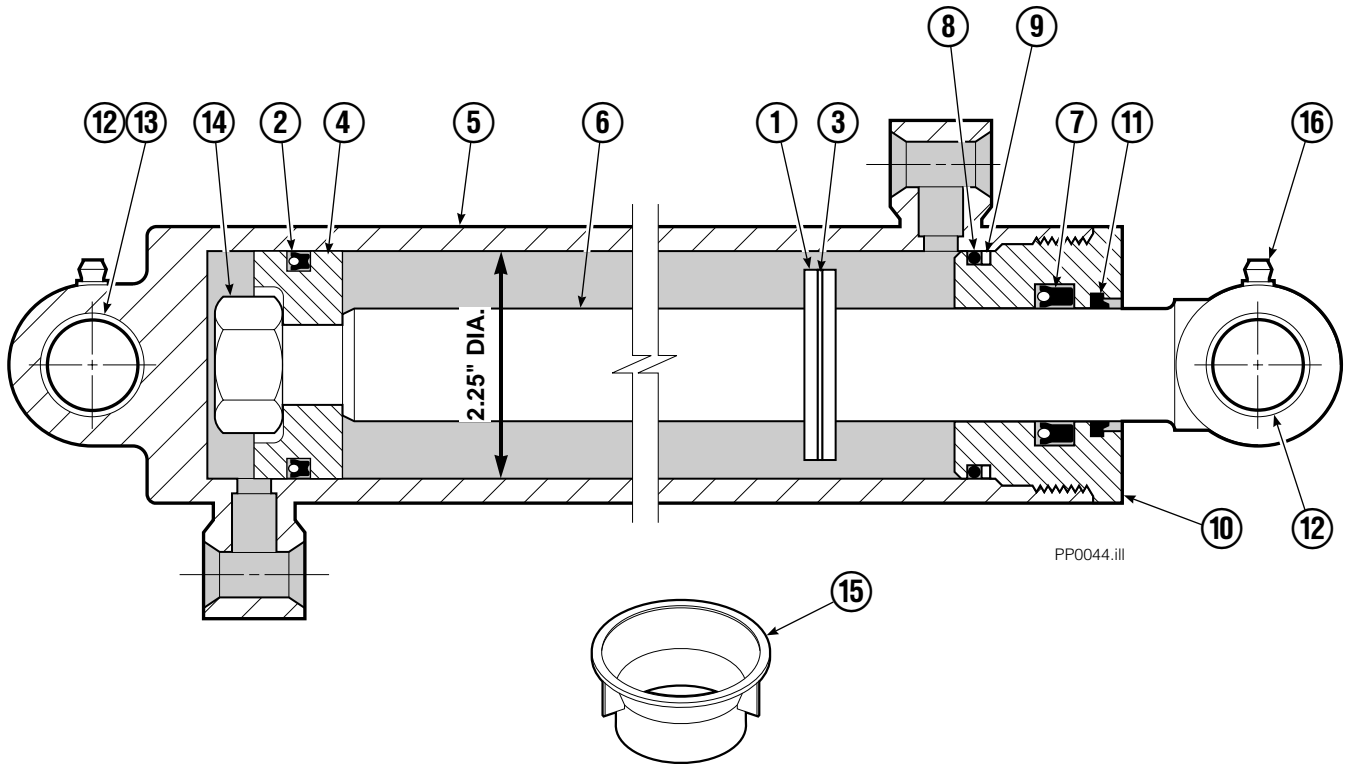
Mechanism Group

39" - Up to 50" Stroke

35E/45E			
REF	QTY	PART NO.	DESCRIPTION
		378735	Mechanism Group
1	1	378367	Arm – Inner Secondary RH
2	1	204692	Arm – Secondary Outer RH
3	4	683154	■ Bushing
4	●	683161	Shim (.030)
5	●	683162	Shim (.060)
6	4	205070	Roller
7	●	683163	Shim (.030)
8	●	683164	Shim (.060)
9	4	683155	■ Bushing
10	1	682821	Pin
11	15	6229	Washer
12	2	685661	Capscrew
13	15	689954	Eye – Pin
14	2	682822	Pin – Head
15	2	205065	Shaft
16	6	683153	■ Bushing
17	●	204532	Shim (.12)
18	2	204694	Arm – Outer Primary
19	4	204533	Pin – Frame
20	4	204535	■ Bushing
21	4	204695	Pin
22	1	378365	Arm – Inner Primary
23	1	204693	Arm – Secondary Outer LH
24	1	378366	Arm – Inner Secondary LH
25	2	204696	Pin – Outer
26	2	682823	Pin – Rod
27	2	683165	Spacer
28	13	767961	Capscrew
29	6	7401	Grease Fitting (not shown)

- Quantity as required.
- Included in Bushing Service Kit 205075.

Cylinder



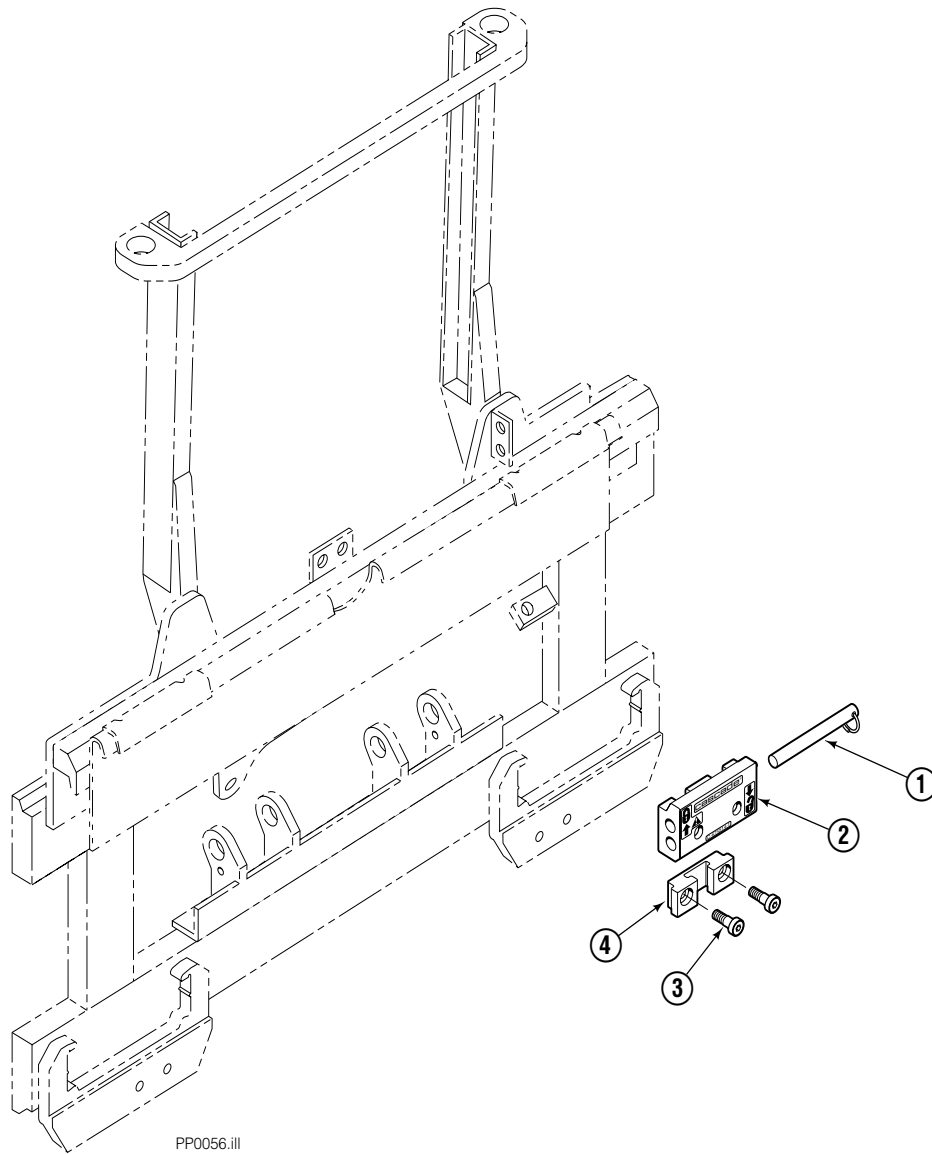
REF	QTY	PART NO.	DESCRIPTION
		358091	Cylinder Assembly ●
1	1	-	Spacer
2	1	564159	Seal ■
3	1	-	Snap Ring
4	1	564161	Piston
5	1	562717	Shell
6	1	558626	Rod
7	1	662448	Seal ■
8	1	2787	O-Ring ■
9	1	615130	Back-Up Ring ■
10	1	558628	Retainer
11	1	636853	Wiper ■
12	4	559697	Bearing
13	1	559698	Spacer
14	1	678019	Nut
15	1	671048	Seal Loader Kit ■
16	2	7401	Grease Fitting

● Cylinder 582636 machined (358093) to add two zerk fittings.

■ Included in Service Kit 562339.

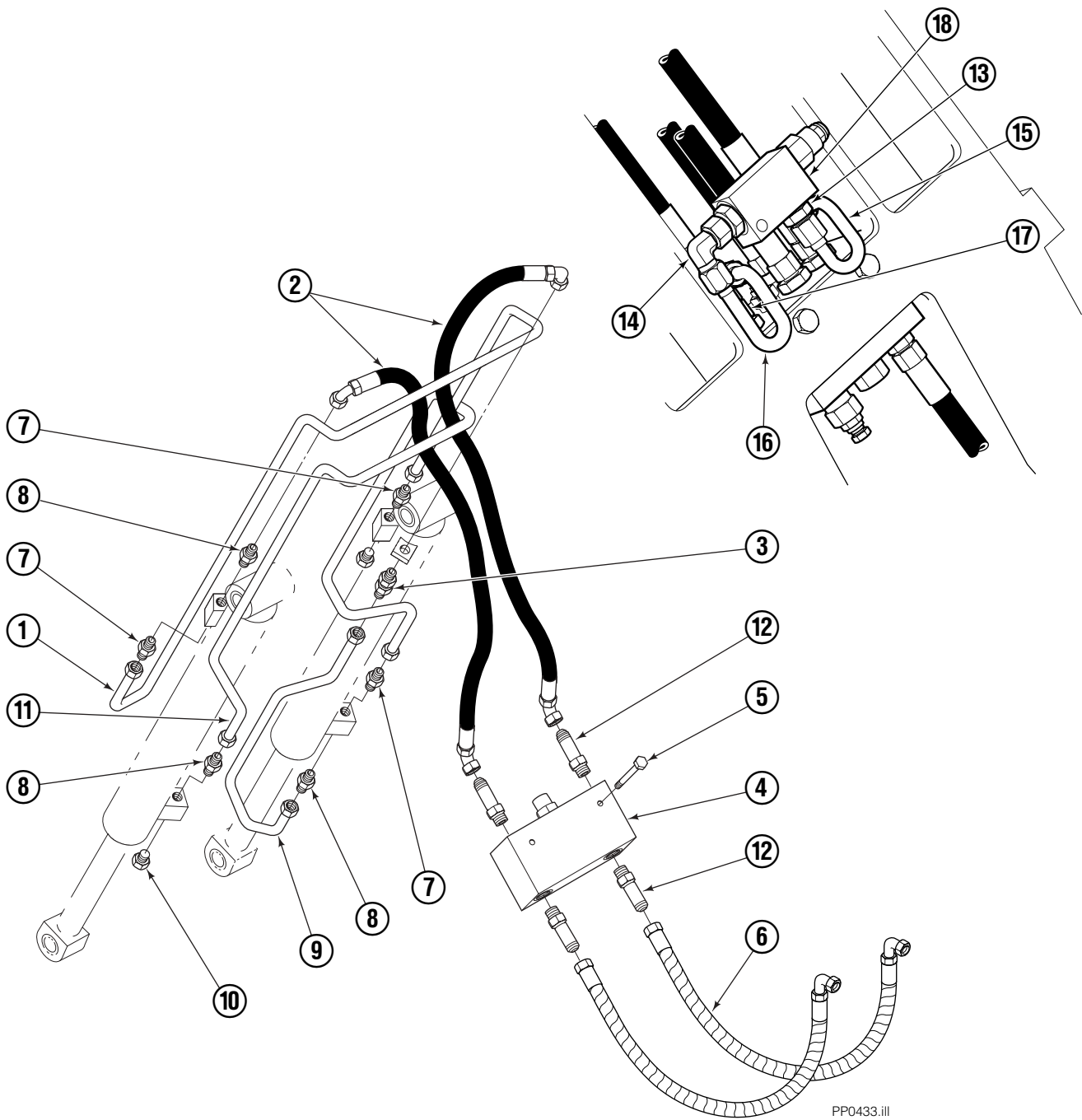
Reference: S-8434

Quick-Change Lower Hook Group – ITA III



REF	QTY	PART NO.	DESCRIPTION
		683181	Lower Hook Group ITA III
1	2	678832	Pin
2	2	675957	Hook
3	4	779019	Capscrew, M16 x 35
4	2	675958	Guide

Hydraulic Group

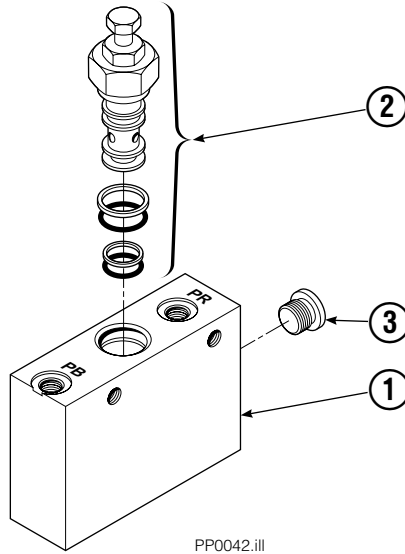


PP0433.ill

REF	QTY	PART NO	DESCRIPTION	REF	QTY	PART NO.	DESCRIPTION
		385543	Hydraulic Group ITA III	10	2	604510	Plug, 6
1	1	200649	Tube	11	1	200648	Tube
2	2	683173	Hose	12	4	604511	Fitting, 6-6
3	1	2375	Fitting, 6-6	13	2	611288	Fitting, 6-8
4	1	688384	Valve ▲	14	1	2680	Fitting, 6-6
5	2	787373	Capscrew, M8x1.25x25	15	1	395102	Tube
6	2	685978	Hose, 19.4 in.	16	1	395107	Tube
7	4	605235	Fitting, 5-6	17	2	611329	Fitting 6-6
8	4	670579	Fitting, 6-6	18	1	661674	Valve Assembly
9	1	200647	Tube	19	2	2645	Nut

▲ See Valve page for parts breakdown.

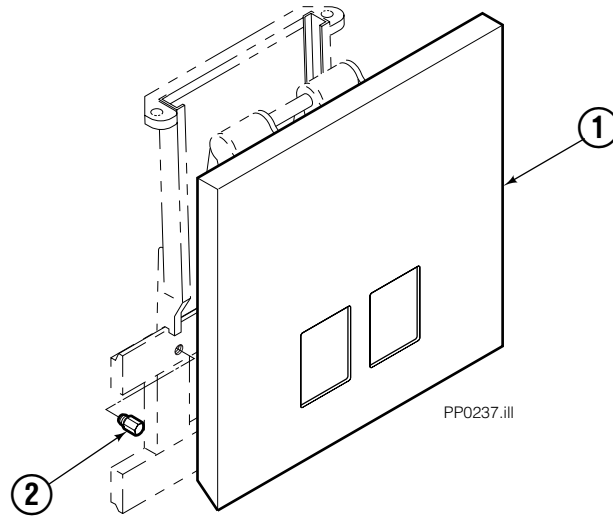
Valve Load Push



35E/45E			
REF	QTY	PART NO.	DESCRIPTION
		688384	Valve Assembly
1	1	688385	Body
2	1	687224	Relief Valve
3	2	663694	Fitting, 3

Faceplate Group

Push



REF	QTY	PART NO.	DESCRIPTION
		397229	Faceplate Group
1	1	398725	Faceplate, 40x40 in.
2	2	682850	Stop

Do you have questions you need answered right now? Call your nearest Cascade Parts Department.

Cascade Corporation

2501 Sheridan Avenue
Springfield, OH 45505
Tel: 888-CASCADE (227-2233)
FAX: 888-329-0234
www.cascorp.com

Cascade Canada Inc.

5570 Timberlea Blvd.
Mississauga, Ontario
Canada L4W-4M6
Tel: 905-629-7777
FAX: 905-629-7785

Cascade GmbH

D-41199 Monchengladbach
Klosterhofweg 52
Germany
Tel: 49-216-668230
FAX: 49-216-6682323

Cascade Finland

Albert Petreliuksenkatu 3
01370 Vantaa
Finland
Tel: 358-9-836-1925
FAX: 358-9-836-1935

**Cascade N.V.
European Headquarters**

P.O. Box 3009
1300 El Almere
Damsluisweg 56
1332 ED Almere
The Netherlands
Tel: 31-36-5492911
FAX: 31-36-5492964

**Cascade N.V.
Benelux Sales and Service**

P.O. Box 3009
1300 El Almere
Damsluisweg 56
1332 ED Almere
The Netherlands
Tel: 31-36-5492950
FAX: 31-36-5492974

Cascade (UK) Ltd.

15, Orgreave Crescent
Dore House Industrial Estate
Handsworth
Sheffield S13 9NQ
England
Tel: 742-697524
FAX: 742-695121

Cascade Scandinavia AB

Box 124
Hammarvägen 10
567 23 Vaggeryd
Sweden
Tel: 42-0-393-36950
FAX: 46-0-393-36959

Cascade Norway

Østerliveien 37A
1153 Oslo
Norway
Tel: 47-22-743160
FAX: 47-22-743157

Cascade France S.A.R.L.

1D Rue De Charaintru
BP 18, 91360 Epinay-Sur-Orge
Morangis Cedex, France
Tel: 33-1- 64547500
FAX: 33-1-64547501

Cascade Hispania S.A.

Carrer 5 Sector C
Zona Franca Duanera
Poligono de la Zon Franca
08040 Barcelona, Spain
Office No. 256
Tel: 93-264-07-30
FAX: 93-264-07-31

Cascade Japan Ltd.

5-5-41,
Torikai Kami
Settsu, Osaka
Japan, 566
Tel: 81-726-53-3490
FAX: 81-726-53-3497

Cascade Korea

108B, Namdong Ind Complex
658-3 Gojan-Dong
Namdong-Gu
Inchon, 405-310 Korea
Tel: 82-32-821-2051
FAX: 82-32-821-2055

Cascade Australia

1445 Ipswich Road
Rocklea, QLD 4106
Australia
Tel: 1-800227-223
FAX: (07) 3373-7333

Cascade New Zealand

15 Ra Ora Drive
East Tamaki, Auckland
New Zealand
Tel: 9-273-9136
FAX: 9-273-9137

Cascade (Africa) Pty. Ltd.

P.O. Box 625, Isando 1600
60A Steel Road
Sparton, Kempton Park
South Africa
Tel: 27-11-975-9240
FAX: 27-11-394-1147

Cascade-Xiamen

No. 668 Yangguang Rd.
Xinyang Industrial Zone
Haicang, Xiamen City
Fujian Province
P.R. China 361026
Tel: 86-592-651-2500
FAX: 86-592-651-2571

**Cascade (Singapore)
Trading Co.**

Four Seasons Park
Autumn Block - Apt. 1802
12 Cuscaden Walk
Singapore
Tel: 65-834-1935
FAX: 65-834-1936

