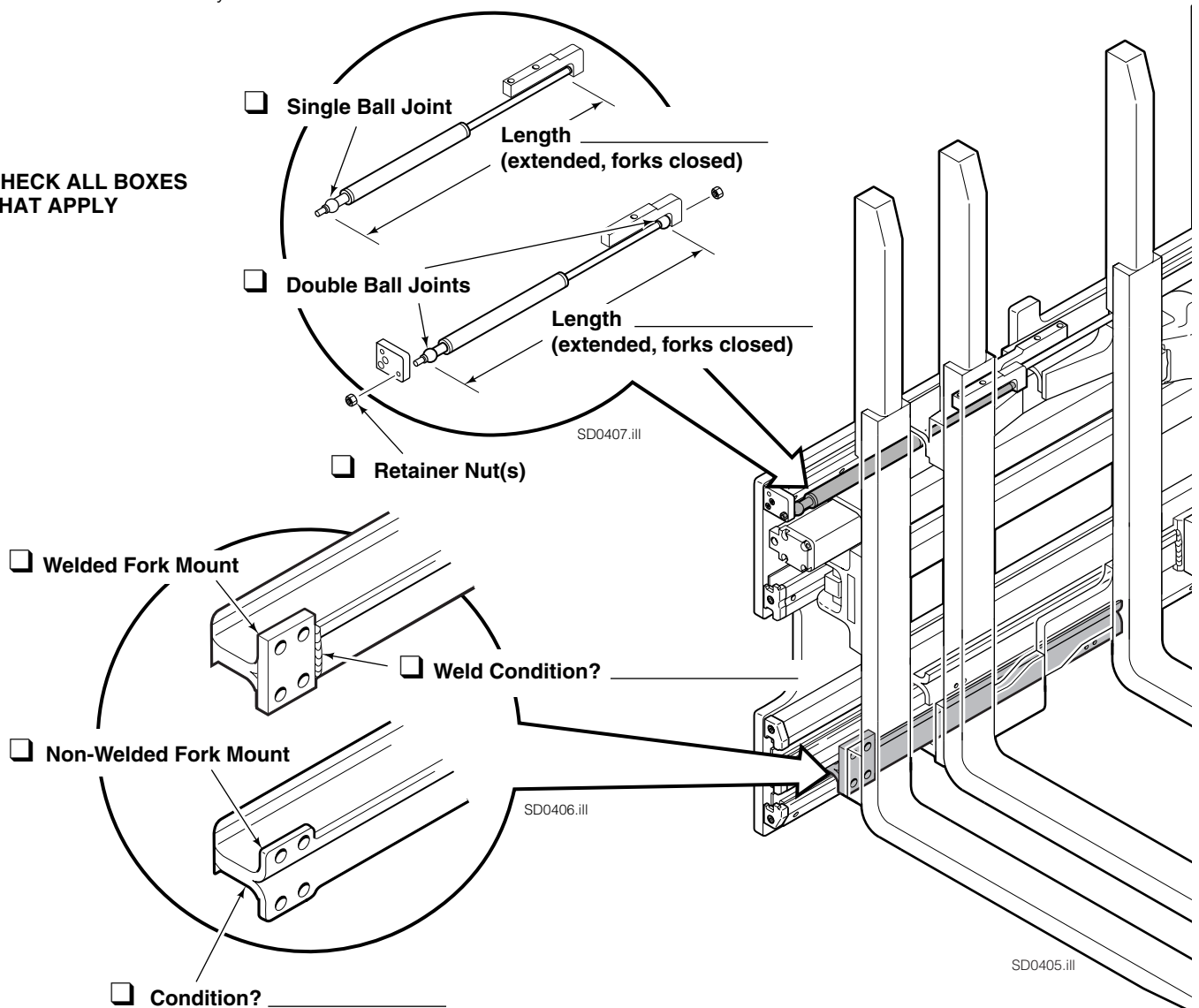


Technical Bulletin

E-Series Single-Double Pallet Handler Survey

The Cascade Model 55E-FDS Single-Double Pallet Handler has been upgraded with a series of product improvements over the years. Please use this survey form as information to help you determine the current revision level of each of your attachments.

CHECK ALL BOXES THAT APPLY



NOTE: This information should not be interpreted as the basis for warranty claims unless so designated.

Part No. 6036244

cascade[®]
corporation

For Technical Support . . .

Call: 1-800-227-2233 Fax: 1-888-329-8207

Internet: www.cascorp.com

Write: Cascade Corporation, PO Box 20187, Portland, OR 97294



Single-Double Survey Form

Return this form to Cascade Corporation
by FAX: 888-329-8207

OR

Mail form to: Cascade Corporation
P.O. Box 20187, Portland ,OR 97294

Check the appropriate boxes on the front of this Survey Form and fill in the information below for each Cascade Single-Double Pallet Handler attachment you have. Fax or mail both sides of this sheet to Cascade Corporation Technical Support. Thank you.

Truck Number

Single-Double Model / Catalog Number

Single-Double Serial Number

Your Company

Address

State

ZIP

Phone Number

FAX Number

Employee Performing Inspection

Your Forklift Dealer

Any Prior Cascade Modifications?

Please provide any comments you may have about this Single-Double Pallet Handler and indicate, if known, whether the unit has already been upgraded by Cascade.