



Parts Manual

Model _____ Rotator _____

Serial Number _____ 40D-RRB-14AR0 _____

cascade[®]
corporation

For Technical Assistance call: 800-227-2233, Fax: 888-329-8207

To Order Parts call: 888-227-2233, Fax: 888-329-0234

OR

Write: Cascade Corporation, P.O. Box 20187, Portland, OR 97220

Internet: www.cascorp.com

Safety Decals



REF	QTY	PART NO.	DESCRIPTION
1	1	679150	No Step Decal

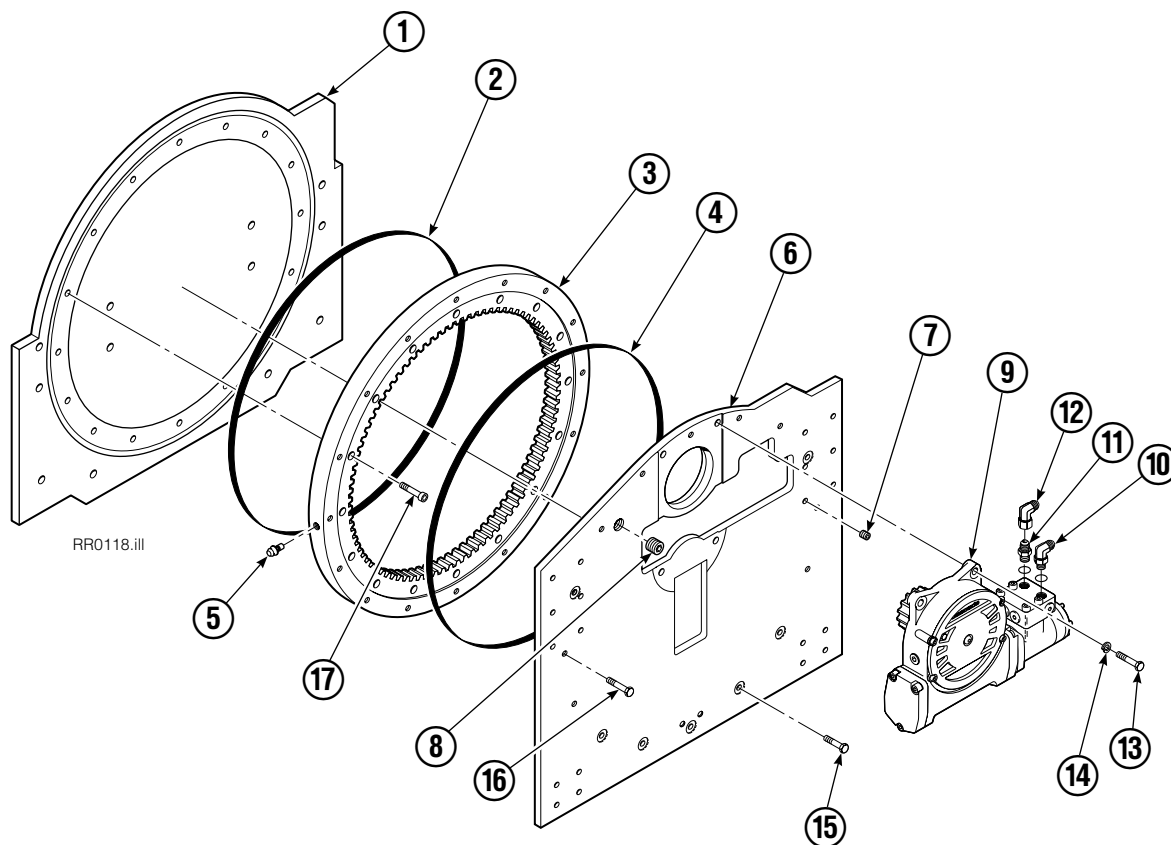
Publications



GA0006.eps

PART NO.	DESCRIPTION
672946	Service Manual
672714	Operators Guide
668987	Installation Instructions
679929	Tool Catalog
673964	Literature Index Order Form

Rotator Group



40D			
REF	QTY	PART NO.	DESCRIPTION
		204146	Rotator Group
1	1	204148	Faceplate
2	1	670513	Seal
3	1	672828	Bearing Assembly
4	1	670514	Seal
5	1	7401	Grease Fitting
6	1	681820	Baseplate
7	4	631385	Plug
8	1	6605	Plug
9	1	795491	Drive Group ▲
10	1	601250	Fitting, 8-8
11	1	601377	Fitting, 8-8
12	1	605761	Fitting, 8-8
13	4	661742	Capscrew, .5 x 1.25
14	4	6290	Lockwasher, .5
15	7	643538	Capscrew, .5 x 1.50
16	9	643539	Capscrew, .5 x 1.75
17	16	4505	Capscrew, .5 x 1.25

▲ See Drive Group page for parts breakdown.

Reference: Common Parts Group 680700, SK-5343.

Drive Group



REF	QTY	PART NO.	DESCRIPTION	REF	QTY	PART NO.	DESCRIPTION
		795491	Drive Group with 2.8 c.i. Motor	19	1	206392	Drive Motor – 2.8 c.i. ▼
1	6	769570	Capscrew, M12 x 25	20	4	4468	Capscrew, 3/8 NC x .75 GR8
2	1	676855	Cover	21	1	670580	Bearing
3	●	674513	Shim – .005" (blue)	22	1	675609	Worm Gear
4	●	670574	Shim – .010" (brown)	23	1	670581	Bearing
5	●	671757	Shim – .015" (pink)	24	1	7214	Snap Ring
6	●	671758	Shim – .020" (yellow)	25	1	643423	O-Ring
7	2	670579	Bearing	26	1	775552	Cover
8	1	670582	Key	27	1	783609	Seal
9	1	670506	Pinion	28	1	783608	Capscrew, M12 x 16
10	1	775551	Housing	29	4	200882	Capscrew, M8 x 20
11	1	686465	Gasket	30	1	644010	Relief Fitting
12	1	675608	Worm	31	1	604510	Fitting, 6
13	1	775553	Adapter	32	1	656300	Gear Box Lube – 48 oz.
14	2	2705	O-Ring	33	1	668184	Sealant
15	1	670549	Check Valve ▲			670578	Shim Service Kit (items 3-6,25,33)
16	4	6444	Lockwasher			675637	Bearing Service Kit (items 21 & 33)
17	4	607059	Capscrew, 5/16 NC x 1.75 GR8			675638	Bearing Service Kit (items 3-7,25)
18	1	670575	Gasket			685227	Motor Kit-4.5 (items 4,14,18)

- Quantity as required.
- ▲ See Check Valve page for parts breakdown.
- ▼ See Drive Motor page for parts breakdown.

Drive Motor



REF	QTY	PART NO.	DESCRIPTION
		206392	Drive Motor
1	1	675478	Shaft
2	1	675477	Drive
3	1	675479	Spacer Plate
4	1	675480	■ Gerotor Set (101-1768-007)
4	1	685075	■ Gerotor Set (101-1768-009)
5	1	675482	End Cap
6	1	206405	● Service Kit
7	1	685089	■ Flange (101-1768-007)
7	1	685090	■ Flange (101-1768-009)

Cascade provides service replacement parts for the listed parts only. Due to cost, if others parts need replacement, the complete drive motor should be replaced.

■ See Nameplate under valve for correct part number of Gerotor Set and Flange.

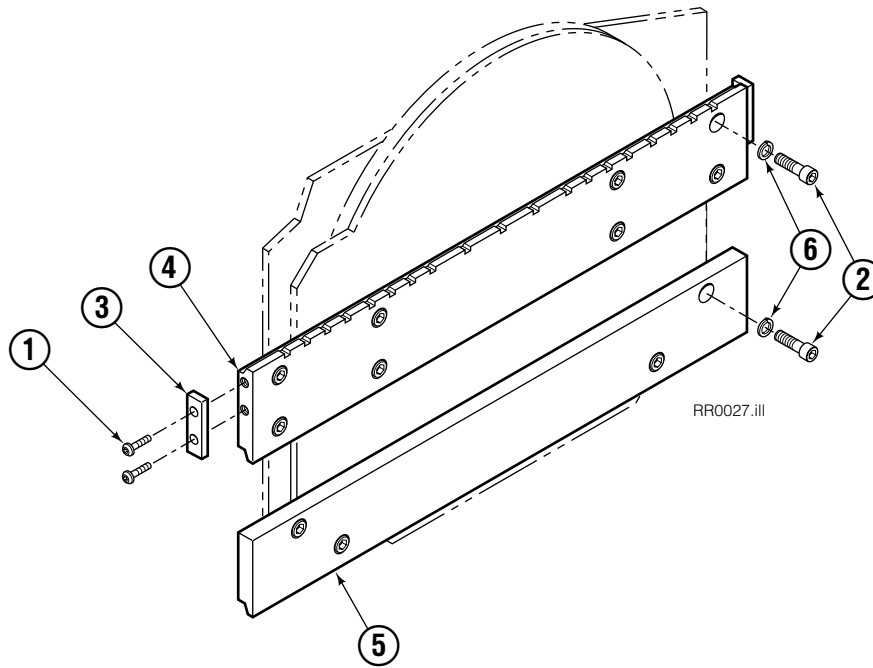
● Compatible with water glycol based hydraulic fluids.

Check Valve



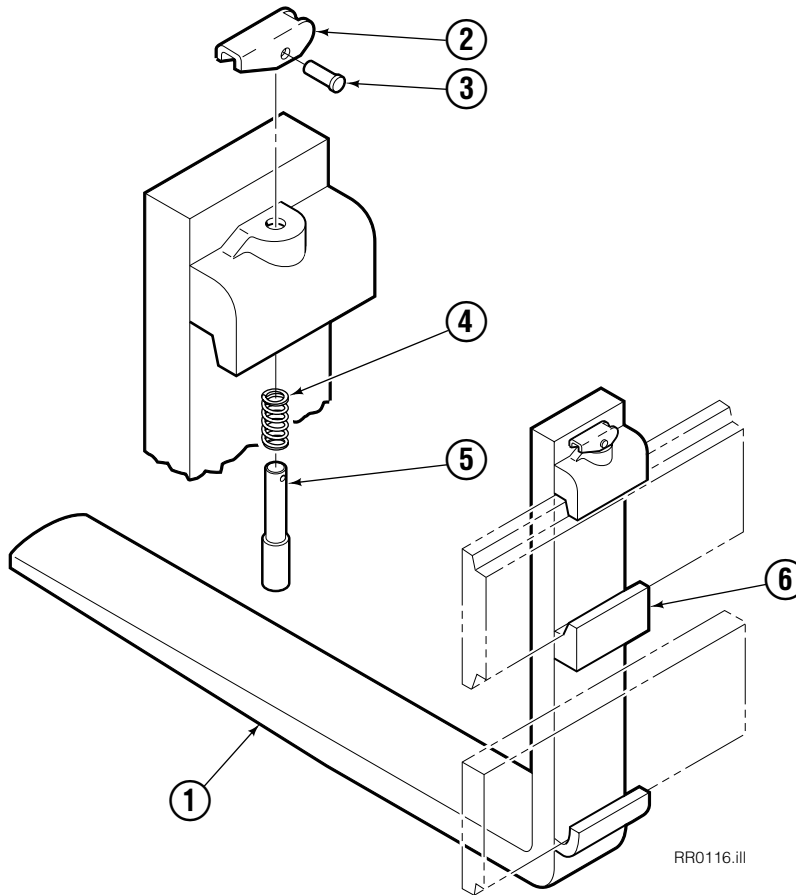
REF	QTY	PART NO.	DESCRIPTION
		670549	Check Valve Assembly
1	2	609453	Fitting, 10
2	2	670552	Spring
3	2	670551	Guide
4	2	7020	Ball
5	2	602580	Fitting, 8
6	2	673989	Spring
7	1	670550	Body
8	1	670553	Spool

Fork Bar Group



40D			
REF	QTY	PART NO.	DESCRIPTION
		206772	Fork Bar Group
1	4	4880	Capscrew, 1/2 NC x 1.0 GR8
2	12	607084	Capscrew, 3/4 NC x 1.25 GR8
3	2	624394	Keeper
4	1	625457	Upper Bar
5	1	680086	Lower Bar
6	12	6447	Lockwasher, 3/4 ID

Adjustable Forks

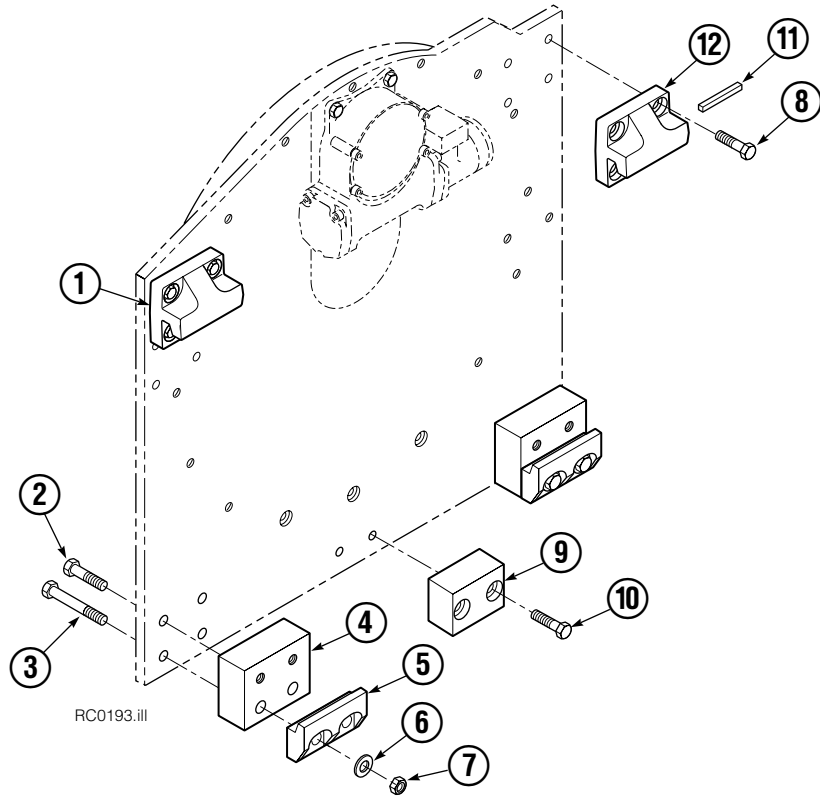


40D						
REF	QTY	30" PART NO.	36" PART NO.	42" PART NO.	48" PART NO.	DESCRIPTION
		633042	633043	633044	633045	Fork Assembly
1	1	645602	645603	645604	645605	● Fork
2	1	622897	622897	622897	622897	Handle
3	1	8007	8007	8007	8007	Rivet
4	1	622908	622908	622908	622908	Spring
5	1	622907	622907	622907	622907	Pin
6	1	689279	689279	689279	689279	■ Middle Hook

● Includes item 6 welded in place.

■ Required when using customer supplied forks.

Bolt-On Mounting Group



Class II, 0°			
REF	QTY	PART NO.	DESCRIPTION
		680630	Mounting Group
1	1	670523	Upper Hook – LH
2	4	3709	Capscrew, 5/8 NC x 1.50
3	4	674261	Capscrew, 5/8 NC x 3.75
4	2	676037	Spacer
5	2	675968	Lower Hook
6	4	667225	Washer
7	4	676281	Nut, 5/8 in. ID
8	8	667765	Capscrew, 5/8 NC x 1.50
9	1	680683	Center Spacer
10	2	677828	Capscrew, 1/2 NC x 1.00
11	1	669344	Stop Kit
12	1	670524	Upper Hook – RH

Do you have questions you need answered right now? Call your nearest Cascade Parts Department. Visit us online at www.cascorp.com

Cascade Corporation
2501 Sheridan Avenue
Springfield, OH 45505
Tel: 888-CASCADE (227-2233)
FAX: 888-329-0234

Cascade Canada Inc.
5570 Timberlea Blvd.
Mississauga, Ontario
Canada L4W-4M6
Tel: 905-629-7777
FAX: 905-629-7785

Cascade GmbH
D-41199 Monchengladbach
Klosterhofweg 52
Germany
Tel: 49-216-668230
FAX: 49-216-6682323

Cascade Finland
Albert Petreliuksenkatu 3
01370 Vantaa
Finland
Tel: 358-9-836-1925
FAX: 358-9-836-1935

**Cascade N.V.
European Headquarters**
P.O. Box 3009
1300 El Almere
Damsluisweg 56
1332 ED Almere
The Netherlands
Tel: 31-36-5492911
FAX: 31-36-5492964

**Cascade N.V.
Benelux Sales and Service**
P.O. Box 3009
1300 El Almere
Damsluisweg 56
1332 ED Almere
The Netherlands
Tel: 31-36-5492950
FAX: 31-36-5492974

Cascade (UK) Ltd.
15, Orgreave Crescent
Dore House Industrial Estate
Handsworth
Sheffield S13 9NQ
England
Tel: 742-697524
FAX: 742-695121

Cascade Scandinavia AB
Box 124
Hammarvägen 10
567 23 Vaggeryd
Sweden
Tel: 42-0-393-36950
FAX: 46-0-393-36959

Cascade Norway
Østerliveien 37A
1153 Oslo
Norway
Tel: 47-22-743160
FAX: 47-22-743157

Cascade France S.A.R.L.
1D Rue De Charaintru
BP 18, 91360 Epinay-Sur-Orge
Morangis Cedex, France
Tel: 33-1- 64547500
FAX: 33-1-64547501

Cascade Hispania S.A.
Carrer 5 Sector C
Zona Franca Duanera
Poligono de la Zon Franca
08040 Barcelona, Spain
Office No. 256
Tel: 93-264-07-30
FAX: 93-264-07-31

Cascade Japan Ltd.
5-5-41,
Torikai Kami
Settsu, Osaka
Japan, 566
Tel: 81-726-53-3490
FAX: 81-726-53-3497

Cascade Korea
108B, Namdong Ind Complex
658-3 Gojan-Dong
Namdong-Gu
Inchon, 405-310 Korea
Tel: 82-32-821-2051
FAX: 82-32-821-2055

Cascade Australia
1445 Ipswich Road
Rocklea, QLD 4106
Australia
Tel: 1-800227-223
FAX: (07) 3373-7333

Cascade New Zealand
15 Ra Ora Drive
East Tamaki, Auckland
New Zealand
Tel: 9-273-9136
FAX: 9-273-9137

Cascade (Africa) Pty. Ltd.
P.O. Box 625, Isando 1600
60A Steel Road
Sparton, Kempton Park
South Africa
Tel: 27-11-975-9240
FAX: 27-11-394-1147

Cascade-Xiamen
No. 668 Yangguang Rd.
Xinyang Industrial Zone
Haicang, Xiamen City
Fujian Province
P.R. China 361026
Tel: 86-592-651-2500
FAX: 86-592-651-2571

**Cascade (Singapore)
Trading Co.**
Four Seasons Park
Autumn Block - Apt. 1802
12 Cuscaden Walk
Singapore
Tel: 65-834-1935
FAX: 65-834-1936

