



Parts Manual

Model 45E Push/Pull

Serial Number 45E-PPS-182

cascade[®]

For Technical Assistance call: 800-227-2233, Fax: 888-329-8207

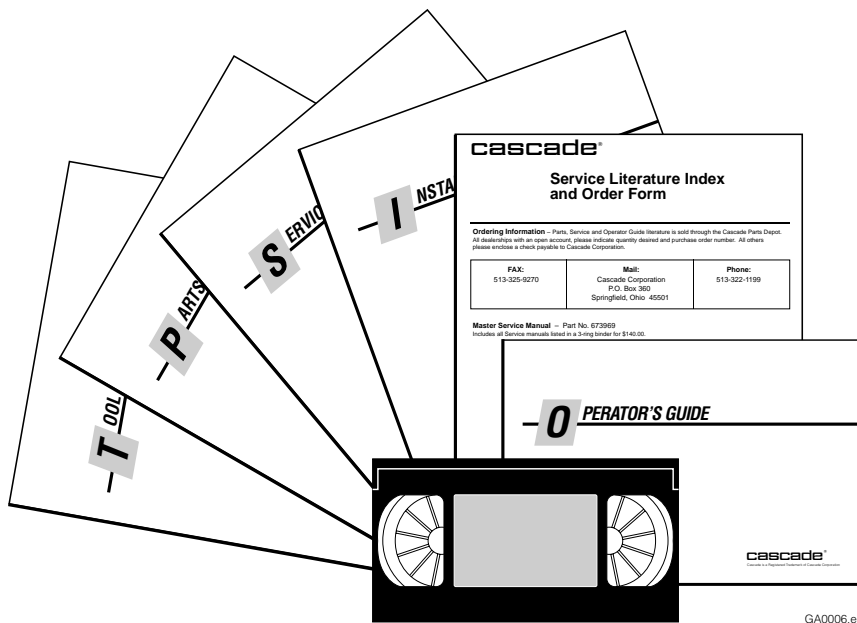
To Order Parts call: 888-227-2233, Fax: 888-329-0234

OR

Write: Cascade Corporation, P.O. Box 20187, Portland, OR 97220

Internet: www.cascorp.com

Publications



GA0006.eps

PART NO.	DESCRIPTION
	Parts Manual
686455	Service Manual
684945	Operators Guide
685531	Operators Pocket Guide
684944	Installation Instructions
680664	Servicing Cascade Cylinders-VHS
679929	Tool Catalog
673964	Literature Index Order Form

Decals



Optional Faceplate Extension



Part No. 679150
(1 Place & 1 optional)



Part No. 665595
(2 Place & 2 optional)



Part No. 656038
(6 Places)



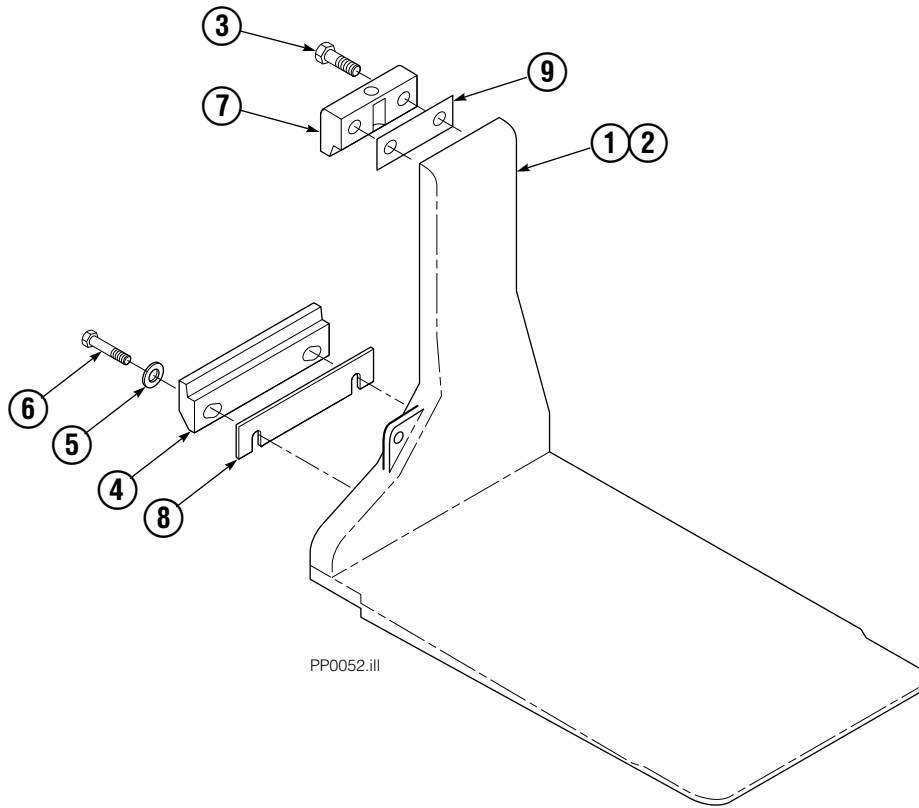
Part No. 679059
(1 Place if equipped with Quick Change Hooks)



Nameplate

PP0060.iii

Platens



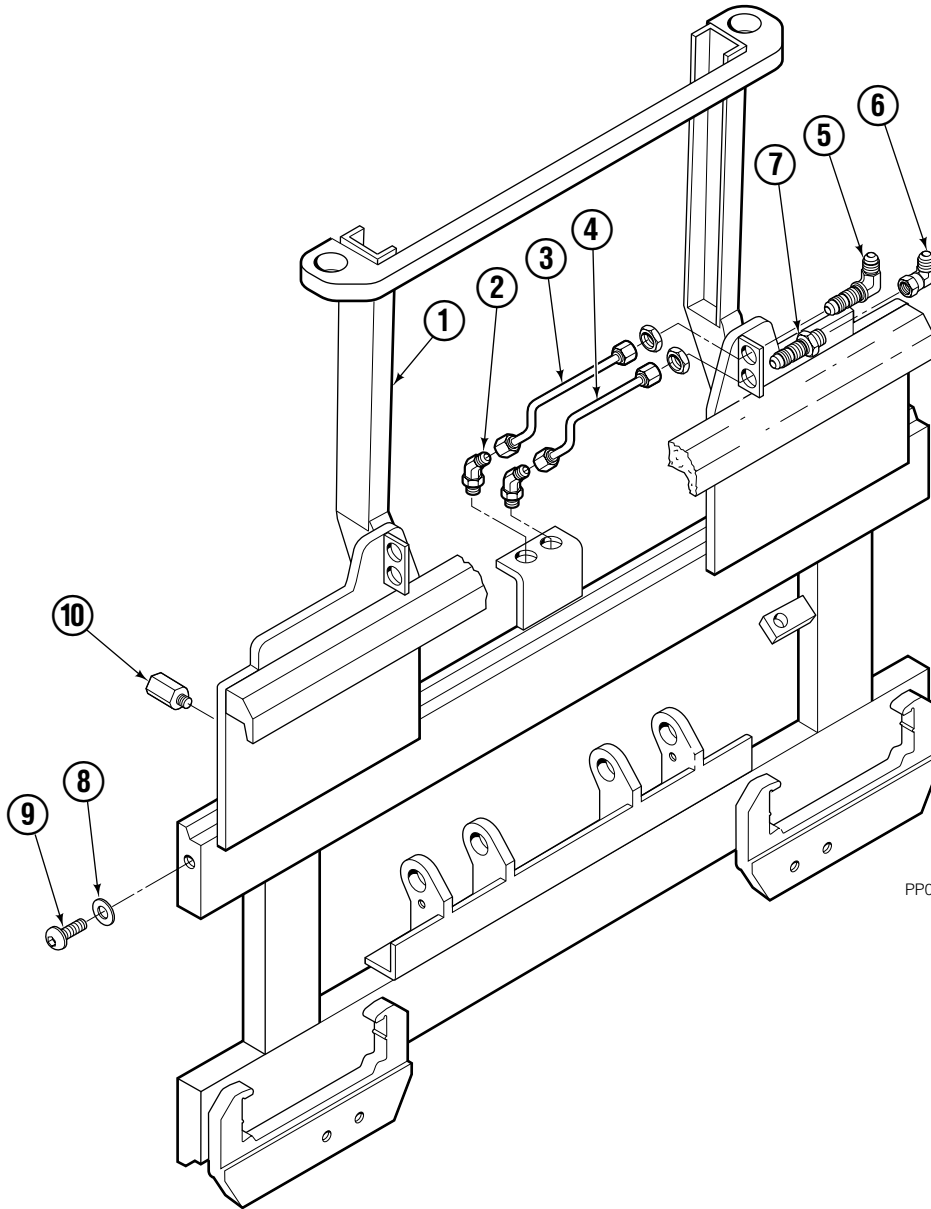
Note: Usable platen lengths are determined by measuring from the faceplate (fully retracted position) to the platen tip or total platen length minus 4 1/2".

REF	QTY	PART NO.	DESCRIPTION
		394496	Platen Group
1	1	394511	Platen L. H.
2	1	394509	Platen R. H.
3	4	685534	Capscrew
4	2	682851	Lower Hook
5	4	667225	Washer
6	4	209016	Capscrew
7	2	685533	Upper Hook
8	★	682858	Shim (.030)
9	●	688379	Shim (.060)

★ As required.

● As required (2 maximum)

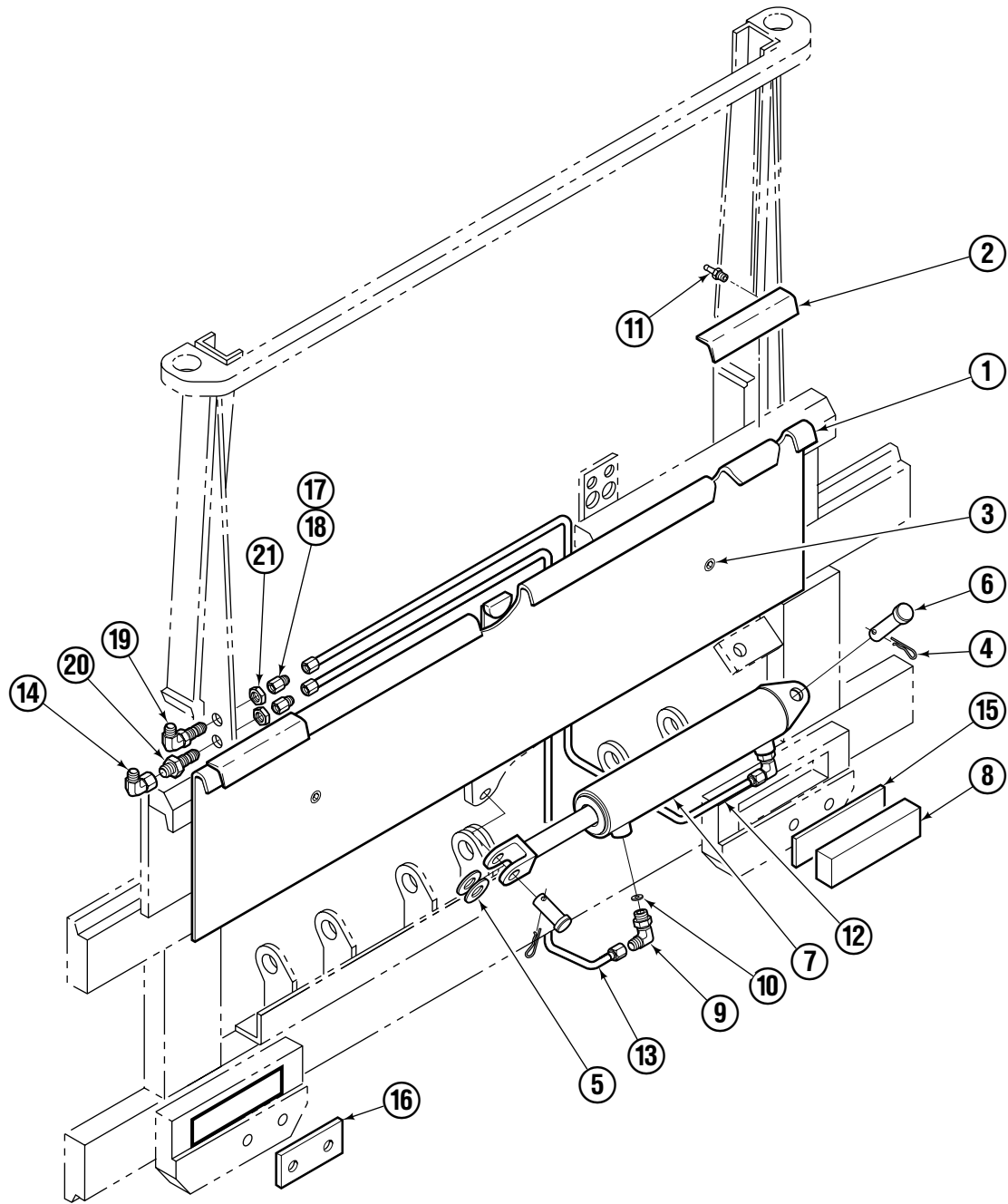
Frame Group ITA III



PP0064.iii

45E			
REF	QTY	PART NO.	DESCRIPTION
		394497	Frame Group ITA III
1	1	394531	Frame
2	2	2492	Fitting, 6-6
3	1	395145	Tube
4	1	395144	Tube
5	1	2453	Fitting, 6-6
6	1	2680	Fitting, 6-6
7	1	2375	Fitting, 6-6
8	2	683001	Washer
9	2	683142	Capscrew
10	2	682850	Stop

S/S Mounting Group ITA III



PP0169.ill

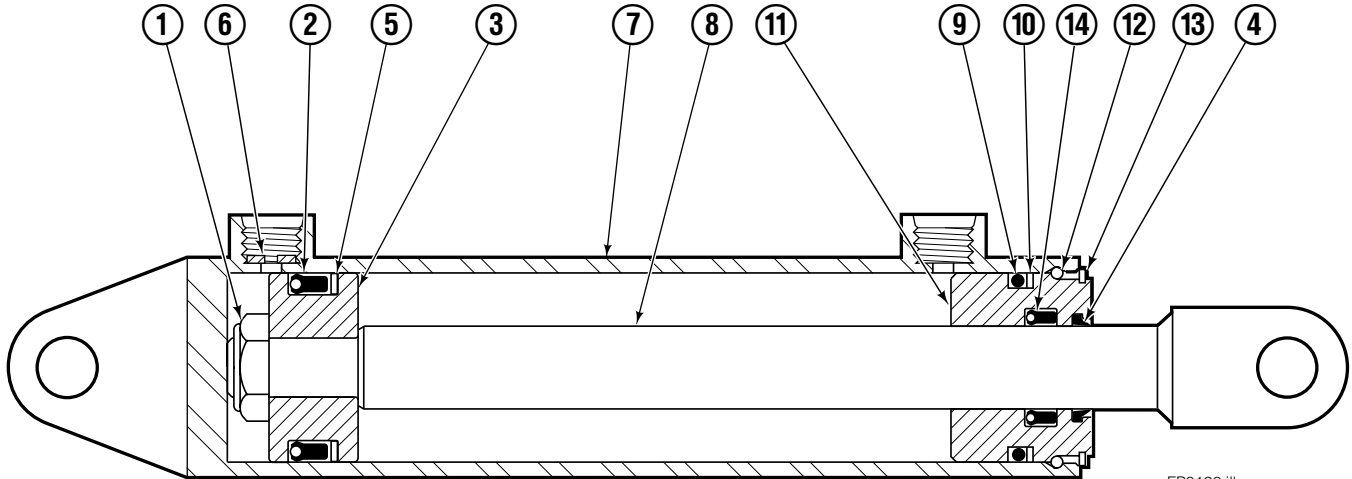
45E

REF	QTY	PART NO.	DESCRIPTION	REF	QTY	PART NO.	DESCRIPTION
		688839	Mounting Group	11	4	7403	■ Grease Fitting
1	1	200311	Anchor Bracket	12	1	200393	Tube
2	2	672018	■ Bearing Segment	13	1	200394	Tube
3	2	768759	Setscrew	14	1	2680	Fitting, 6-6
4	2	6517	Cotter Pin	15	2	683250	Strip
5	2	6234	Washer	16	2	683218	Spacer
6	2	678525	Clevis Pin	17	2	2669	Fitting, 4-6
7	1	675548	● Cylinder	18	2	2617	Fitting, 6-6
8	2	682814	Bearing	19	1	2453	Fitting, 6-6
9	2	666984	Fitting, 4-6	20	1	2375	Fitting, 6-6
10	1	675550	Washer	21	2	688387	Jam Nut

■ Included in Bearing Service Kit 672022.

● See Cylinder page for parts breakdown.

Sideshift Cylinder ITA Class III

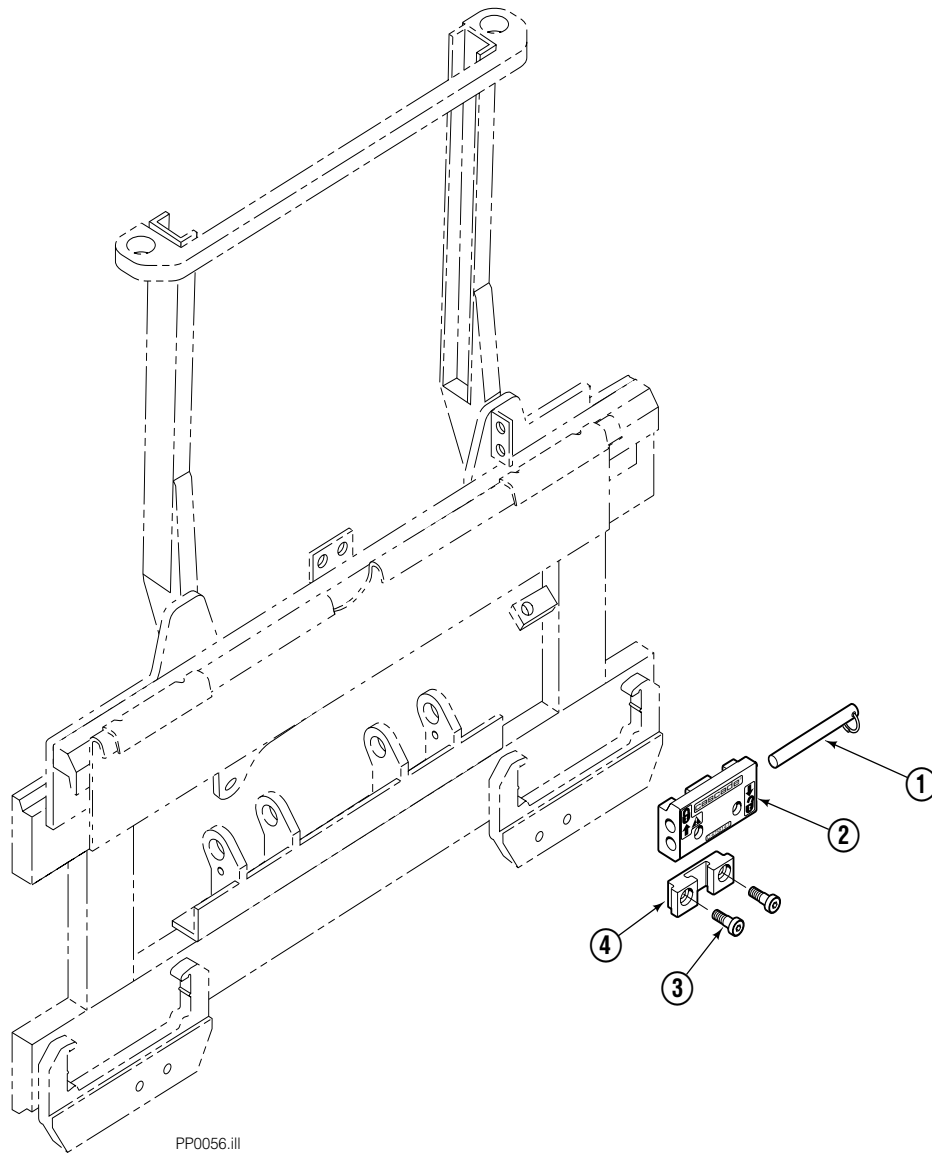


FP0126.ill

55E			
REF	QTY	PART NO.	DESCRIPTION
		675548	Cylinder Assembly
1	1	553857	Nut
2	1	662452	■ Seal
3	1	553501	Piston
4	1	636851	■ Wiper
5	1	638247	■ Back-up Ring
6	1	675550	Washer (orifice .085 in.)
7	1	675549	Shell
8	1	553449	Rod
9	1	2785	■ O-Ring
10	1	615128	■ Back-up Ring
11	1	553500	Retainer
12	1	553856	Retaining Ring
13	1	7202	Snap Ring
14	1	641835	■ Seal
		553861	Service Kit

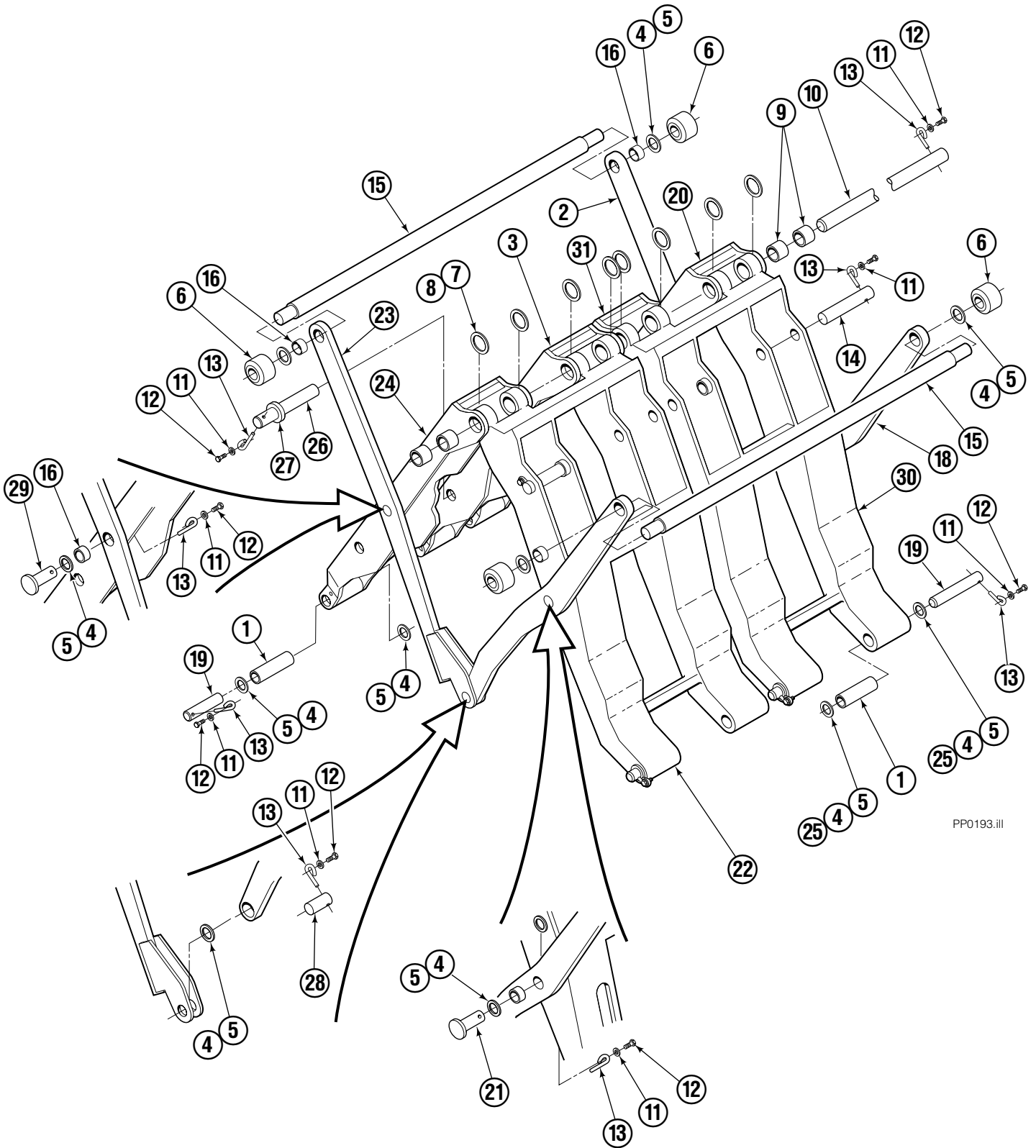
■ Included in Service Kit 553861.

Quick-Change Lower Hook Group – ITA III



REF	QTY	PART NO.	DESCRIPTION
		683181	Lower Hook Group ITA III
1	2	678832	Pin
2	2	675957	Hook
3	4	779019	Capscrew, M16 x 35
4	2	675958	Guide

Mechanism Group



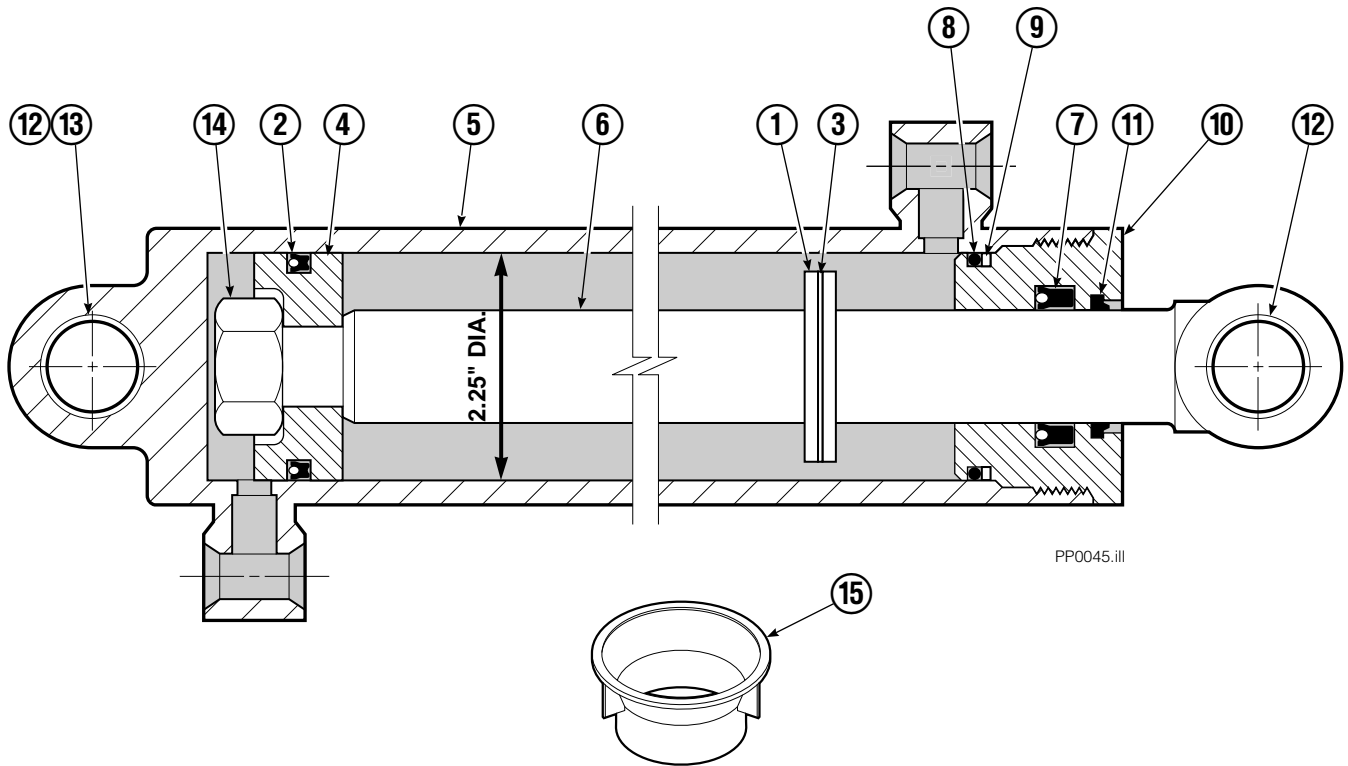
PP0193.iii

Mechanism Group

35E/45E			
REF	QTY	PART NO.	DESCRIPTION
		394498	Mechanism Group
1	16	360869	Bushing
2	1	204692	Arm-Secondary Outer R.H.
3	1	395113	Arm-Inner Secondary R.H.
4	●	683161	Shim (.030)
5	●	683162	Shim (.060)
6	4	205070	Roller
7	●	683163	Shim (.030)
8	●	683164	Shim (.060)
9	8	683155	■ Bushing
10	1	364118	Pin
11	20	6229	Washer
12	20	685661	Capscrew
13	20	689954	Eye-Pin
14	2	346901	Pin-Head
15	2	393493	Pin
16	6	683153	■ Bushing
17	—	7403	Grease Fitting
18	2	204694	Arm-Outer Primary
19	8	364243	Pin-Frame
20	1	204691	Arm-Inner Secondary R.H.
21	2	393495	Pin-Primary Outer
22	1	395114	Arm-Inner Primary L.H.
23	1	204693	Arm-Secondary Outer L.H.
24	1	204690	Arm-Inner Secondary L.H.
25	●	204532	Shim
26	2	346896	Pin-Rod
27	2	683165	Spacer
28	2	393494	Pin-Outer
29	2	393495	Pin-Secondary Outer
30	1	395115	Arm-Inner Primary
31	1	395112	Arm-Inner Secondary L.H.

- Quantity as required.
- Included in Bushing Service Kit 205075.

Cylinder



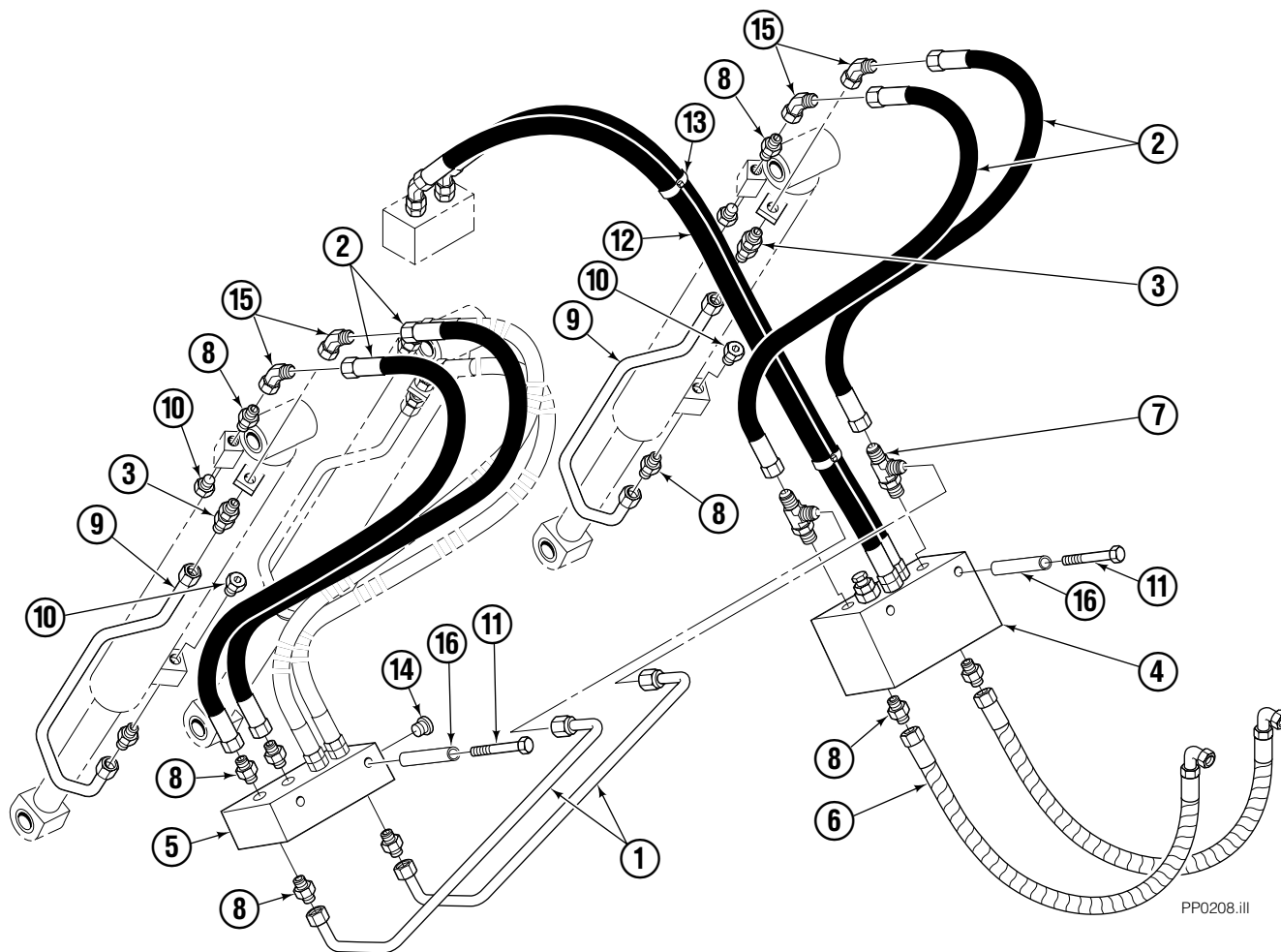
PP0045.ii

REF	QTY	PART NO.	DESCRIPTION
		582636	Cylinder Assembly
1	1	—	Spacer
2	1	564159	Seal ■
3	1	7348	Snap Ring
4	1	564161	Piston
5	1	562717	Shell
6	1	558626	Rod
7	1	662448	Seal ■
8	1	2787	O-Ring ■
9	1	615130	Back-Up Ring ■
10	1	558628	Retainer
11	1	636853	Wiper ■
12	4	559697	Bearing
13	1	559698	Spacer
14	1	678019	Nut
15	1	671048	Seal Loader Kit ■

■ Included in Service Kit 562339.

Reference: S-3424.

Hydraulic Group



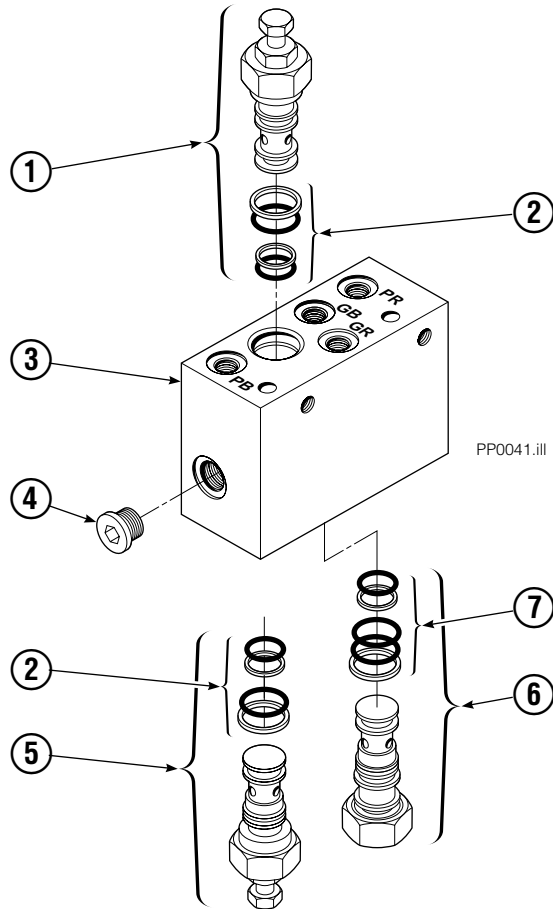
PP0208.iii

35E/45E			
REF	QTY	PART NO.	DESCRIPTION
		394499	Hydraulic Group
1	2	351621	Tube
2	4	683173	Hose
3	2	2375	Fitting, 6-6
4	1	682812	■ Valve
5	1	200372	Junction Block
6	2	685979	Hose
7	2	611307	Fitting
8	14	604511	Fitting
9	2	682995	Tube
10	4	604510	Plug
11	4	768524	Capscrew
12	1	685831	Hose
13	2	684956	Cable Tie
14	2	663694	Fitting, 3
15	4	605230	Fitting, 6-6
16	4	353621	Spacer

■ See Valve page for parts breakdown.

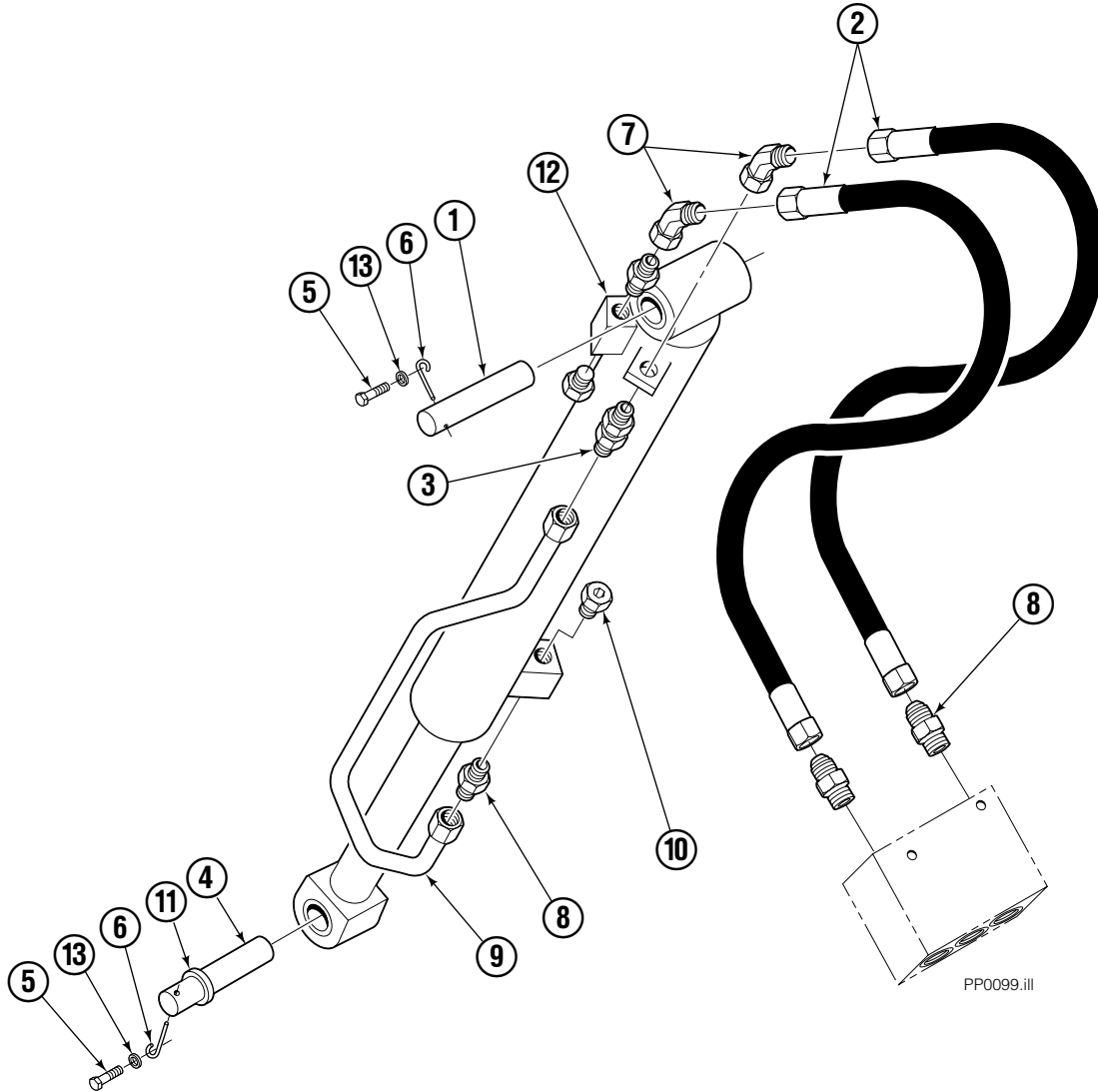
Valve

Load Push/Pull



REF	QTY	PART NO.	DESCRIPTION
		682812	Valve Assembly
1	1	677125	Sequence Valve (Retract)
2	2	669597	Service Kit
3	1	682813	Body
4	5	663694	Fitting, 3
5	1	677124	Sequence Valve (Extend)
6	1	659058	Gripper Check Valve
7	1	667516	Service Kit

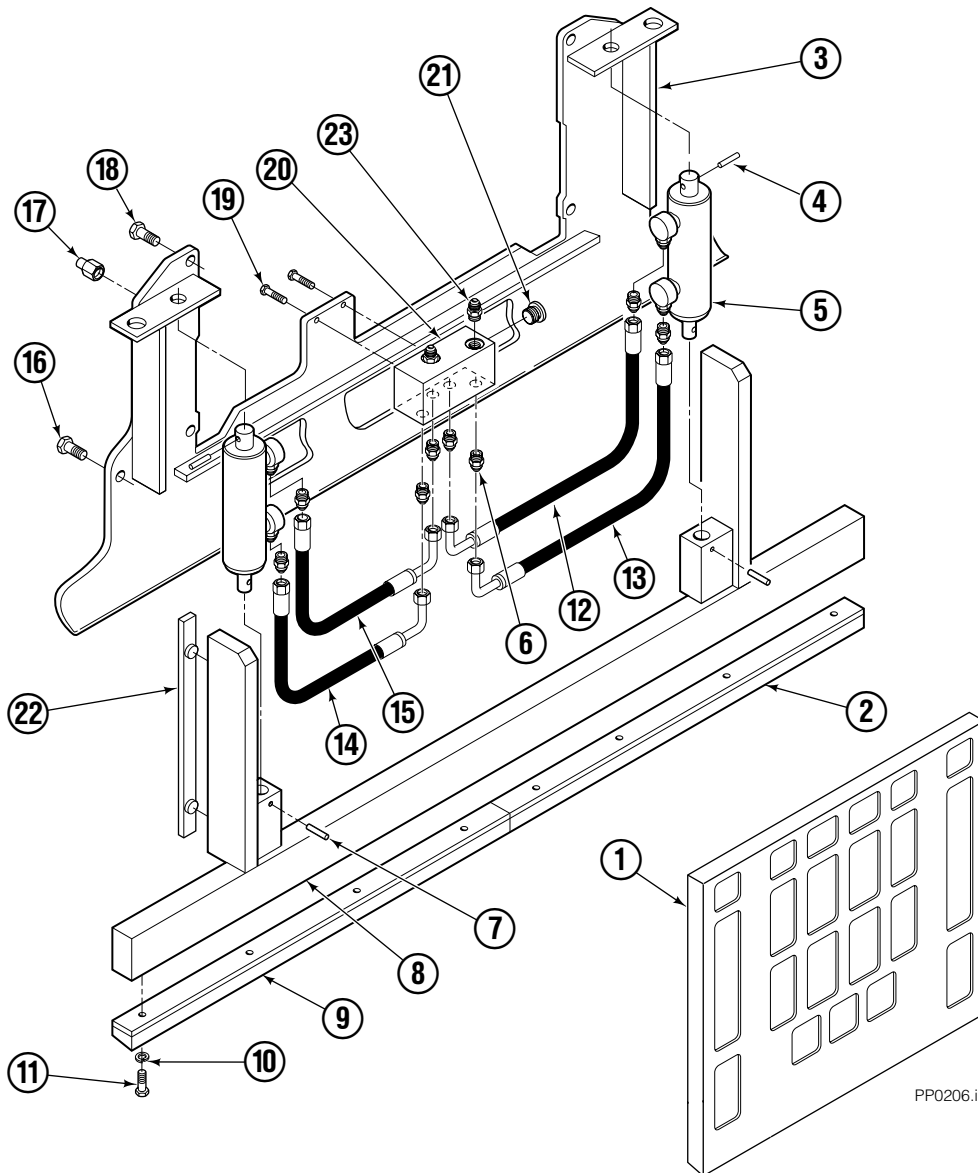
Third Cylinder Group



PP0099.ill

REF	QTY	PART NO.	DESCRIPTION
		394500	Third Cylinder Group
1	1	346901	Head Pin
2	2	683173	Hose
3	1	2375	Fitting, 6-6
4	1	346896	Rod Pin
5	2	685661	Capscrew, M8x1.25x15-8.8
6	2	689954	Eye Pin
7	2	605230	Fitting
8	4	604511	Fitting, 6-6
9	1	682995	Tube
10	2	604510	Fitting
11	1	683165	Spacer
12	1	582636	Cylinder
13	2	6229	Washer

Faceplate Group



PP0206.ill

35E/45E

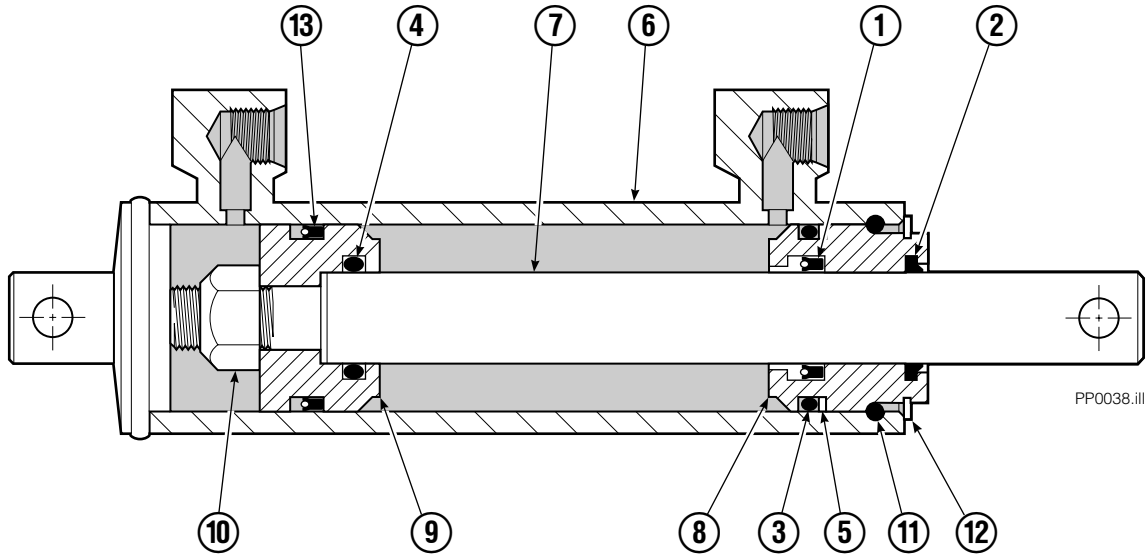
REF	QTY	PART NO.	DESCRIPTION	REF	QTY	PART NO.	DESCRIPTION
		394501	Faceplate Group 48" x 40" ■	12	1	206382	Hose
		370512	Gripper Jaw Assembly ●	13	1	206381	Hose
1	1	395110	Faceplate 48" x 40" ■	14	1	205957	Hose
2	1	368051	Pad - LH	15	1	205958	Hose
3	1	370514	Gripper Jaw	16	2	768710	Capscrew, M8x1,25x25-8.8
4	2	673385	Drive Pin	17	4	682850	Stop
5	2	682844	Gripper Cylinder ▼	18	4	779010	Capscrew
6	8	617915	Fitting, 4	19	2	763166	Capscrew
7	2	200877	Drive Pin	20	1	205959	Junction Block
8	1	370513	Gripper Bar	21	2	609234	Plug, 4
9	1	368050	Pad - RH	22	2	686573	Bearing
10	8	6444	Lockwasher	23	2	604511	Fitting, 6
11	8	768794	Capscrew				

■ Width x height.

● Includes items 2 through 23.

▼ See Gripper Cylinder page for parts breakdown.

Gripper Cylinder



PP0038.III

35E/45E			
REF	QTY	PART NO.	DESCRIPTION
		682844	Gripper Cylinder
▼ 1	1	646540	Seal
▼ 2	1	636850	Wiper
▼ 3	1	2718	O-Ring
▼ 4	1	2710	O-Ring
▼ 5	1	615122	Back-Up Ring
6	1	685662	Shell
7	1	685663	Rod
8	1	685664	Retainer
9	1	685665	Piston
10	1	563462	Nut
11	1	563916	Ring
12	1	684284	Snap Ring
▼ 13	1	663728	Piston Seal

▼ Included in Service Kit 684827.

Do you have questions you need answered right now? Call your nearest Cascade Parts Department.

Cascade Corporation
2501 Sheridan Avenue
Springfield, OH 45505
Tel: 888-CASCADE (227-2233)
FAX: 888-329-0234
www.cascorp.com

Cascade Canada Inc.
5570 Timberlea Blvd.
Mississauga, Ontario
Canada L4W-4M6
Tel: 905-629-7777
FAX: 905-629-7785

Cascade GmbH
D-41199 Monchengladbach
Klosterhofweg 52
Germany
Tel: 21-66-602091
FAX: 21-66-680947

Cascade Finland
01370 Vantas
Finland
Tel: 358-0-836-1925
FAX: 358-0-836-1935

**Cascade N.V.
European Headquarters**
P.O. Box 3009
1300 El Almere
Damsluisweg 56
1332 ED Almere
The Netherlands
Tel: 31-36-5492911
FAX: 31-36-5492964

**Cascade N.V.
Benelux Sales and Service**
P.O. Box 3009
1300 El Almere
Damsluisweg 56
1332 ED Almere
The Netherlands
Tel: 31-36-5492950
FAX: 31-36-5492974

Cascade (UK) Ltd.
15, Orgreave Crescent
Dore House Industrial Estate
Handsworth
Sheffield S13 9NQ
England
Tel: 742-697524
FAX: 742-695121

**Cascade Scandinavia
Hydraulik A.B.**
Muskötgatan 19, E8-9
S25466 Helsingborg
Sweden
Tel: 42-151135
FAX: 42-152997

Cascade Norway
Østerliveien 37A
1153 Oslo
Norway
Tel: 47-22-743160
FAX: 47-22-743157

Cascade France S.A.R.L.
11, Rue Jean Charcot
Zone Industrielle Sud or
B.P. 22
91421 Morangis Cedex
France
Tel: 1- 64547501
FAX: 1-9790584

Cascade Hispania S.A.
Avenida De La Fabregada, 7
Hospitalet De Llobregat
Barcelona
Spain
Tel: 3-335-5158
FAX: 3-335-4756

Cascade Japan Ltd.
5-5-41,
Torikai Kami
Settsu, Osaka
Japan, 566
Tel: 81-726-53-3490
FAX: 81-726-53-3497

Cascade Korea
Room 508, Pum Yang Bldg.
750-14, Bang Bac-Dong
Se-Cho Ku, Seoul
Korea
Tel: 2599-7131 ext. 512
FAX: 2533-8089

HYCO-Cascade Pty. Ltd.
1445 Ipswich Road
Rocklea,
Queensland 4107
Australia
Tel: 3-274-2722
FAX: 3-274-3456

HYCO-Cascade (NZ) Ltd.
15 Ra Ora Drive, East Tamaki
P.O. Box 38-440
Howick, Auckland
New Zealand
Tel: 9-273-9136
FAX: 9-273-9137

Cascade (Africa) Pty. Ltd.
P.O. Box 625, Isando 1600
60A Steel Road
Sparton, Kempton Park
South Africa
Tel: 975-9240
FAX: 394-1147

Cascade-Xiamen
Wanshan No. 1 Workshop
Huli Road
Xiamen 361006
Fujian, PRC
Tel: 592-562-4600
FAX: 592-562-4671

**Cascade (Singapore)
Trading Co.**
Four Seasons Park
Autumn Block - Apt. 1802
12 Cascaden Walk
Singapore
Tel: 65-834-1935
FAX: 65-834-1936

