



Installation Instructions

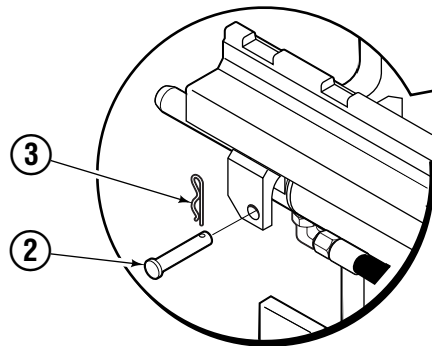
Solid Link Replacement Kit 6020173 for C-Series Integral Sideshift Cylinder

This sheet provides installation instructions for a solid link/ spacer to replace the cylinder on C-Series Integral Side-shifters. This installation immobilizes the sideshifter frame when installing sideshifting attachments.

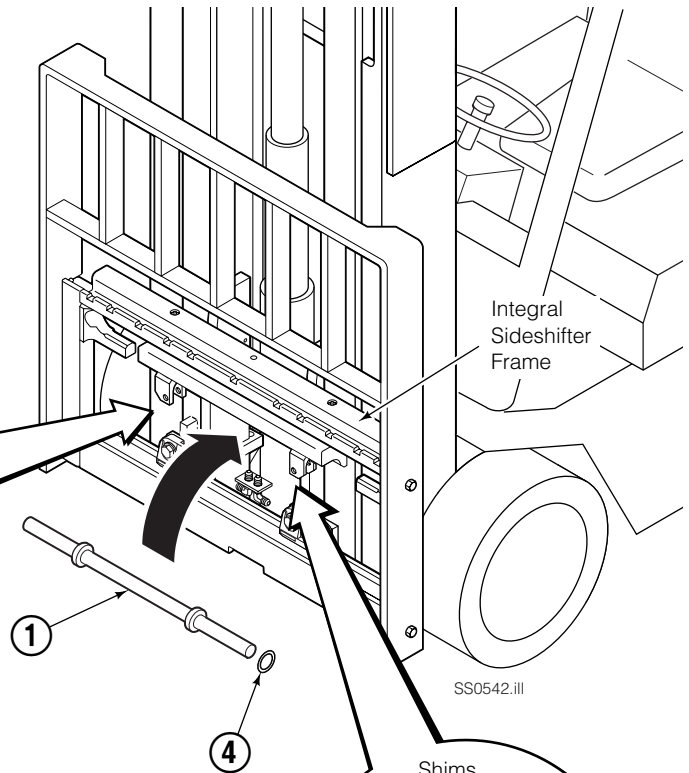


WARNING: Before removing hoses or hydraulic components, relieve pressure in the hydraulic system. Turn the truck off and move the truck control lever several times in both directions.

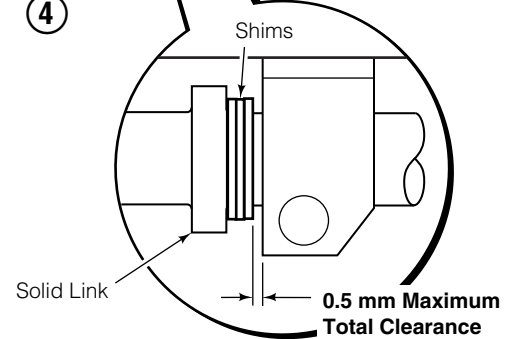
- 1 Remove the cylinder by disconnecting the hoses and removing the clevis pins. Install the solid link in its place, using the new clevis pins and cotters provided.
- 2 Shim the solid link at one end to provide an overall clearance of 0.5 mm when the solid link is in place between the cylinder mounting bosses. **NOTE:** Shims are 0.5 mm thick.



SS0543.ill



SS0542.ill



SS0544.ill

Kit Parts List

REF	QTY	PART NO.	DESCRIPTION
		6020173	Solid Link Kit
1	1	6020156	Solid Link Spacer
2	2	6016592	Clevis Pin, .375 in. x 2.25 in.
3	2	6016912	Hair Pin Cotter
4	●	6016591	Shim, .5 mm

● Quantity as required.

cascade[®]
corporation

For Technical Support . . .

Call: 1-800-227-2233 Fax: 1-888-329-8207
Internet: www.cascorp.com
Write: Cascade Corporation, PO Box 20187, Portland, OR 97294

To Order Parts . . .

Call: 1-888-227-2233 Fax: 1-888-329-0234
Internet: www.cascorp.com
Write: Cascade Corporation, 2501 Sheridan Ave., Springfield, OH 45505