



# Parts Manual

---

Model \_\_\_\_\_ **Sheet-Sav Push/Pull**

Serial Number \_\_\_\_\_ **45E-PAS-132**

---

**cascade**<sup>®</sup>  
**corporation**

**For Technical Assistance call:** 800-227-2233, Fax: 888-329-8207

**To Order Parts call:** 888-227-2233, Fax: 888-329-0234

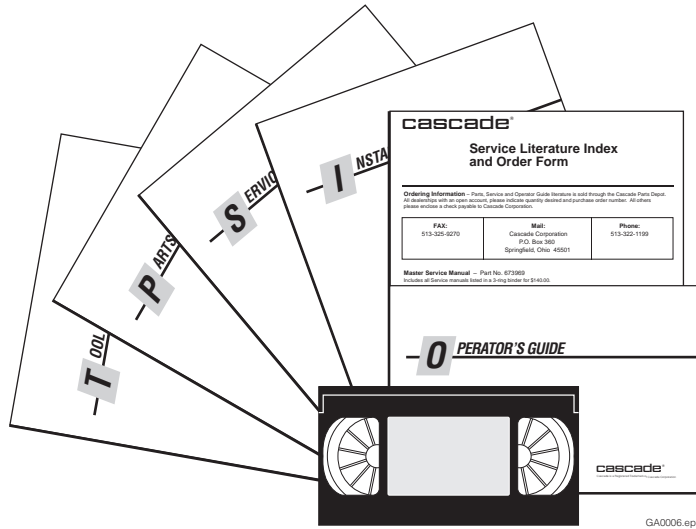
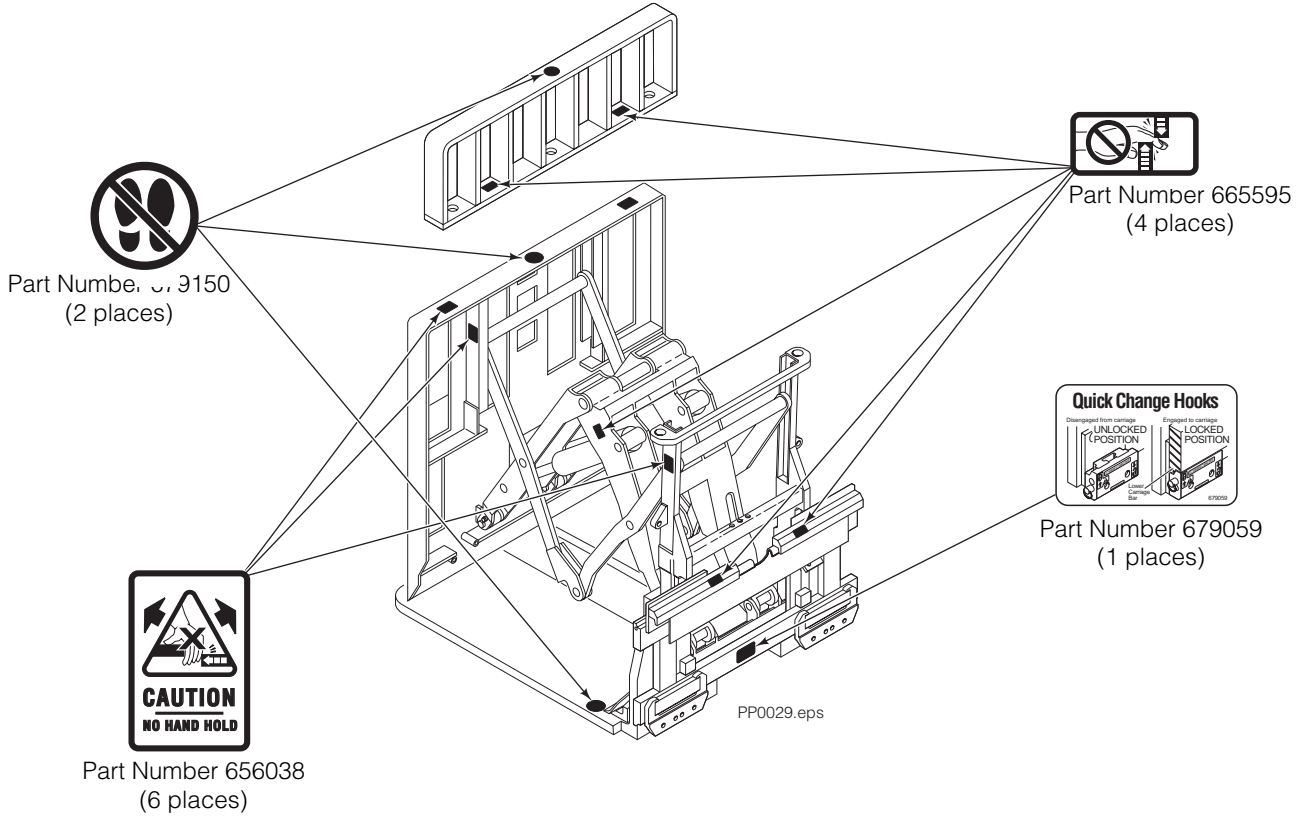
**OR**

**Write:** Cascade Corporation, P.O. Box 20187, Portland, OR 97220

**Internet:** [www.cascorp.com](http://www.cascorp.com)

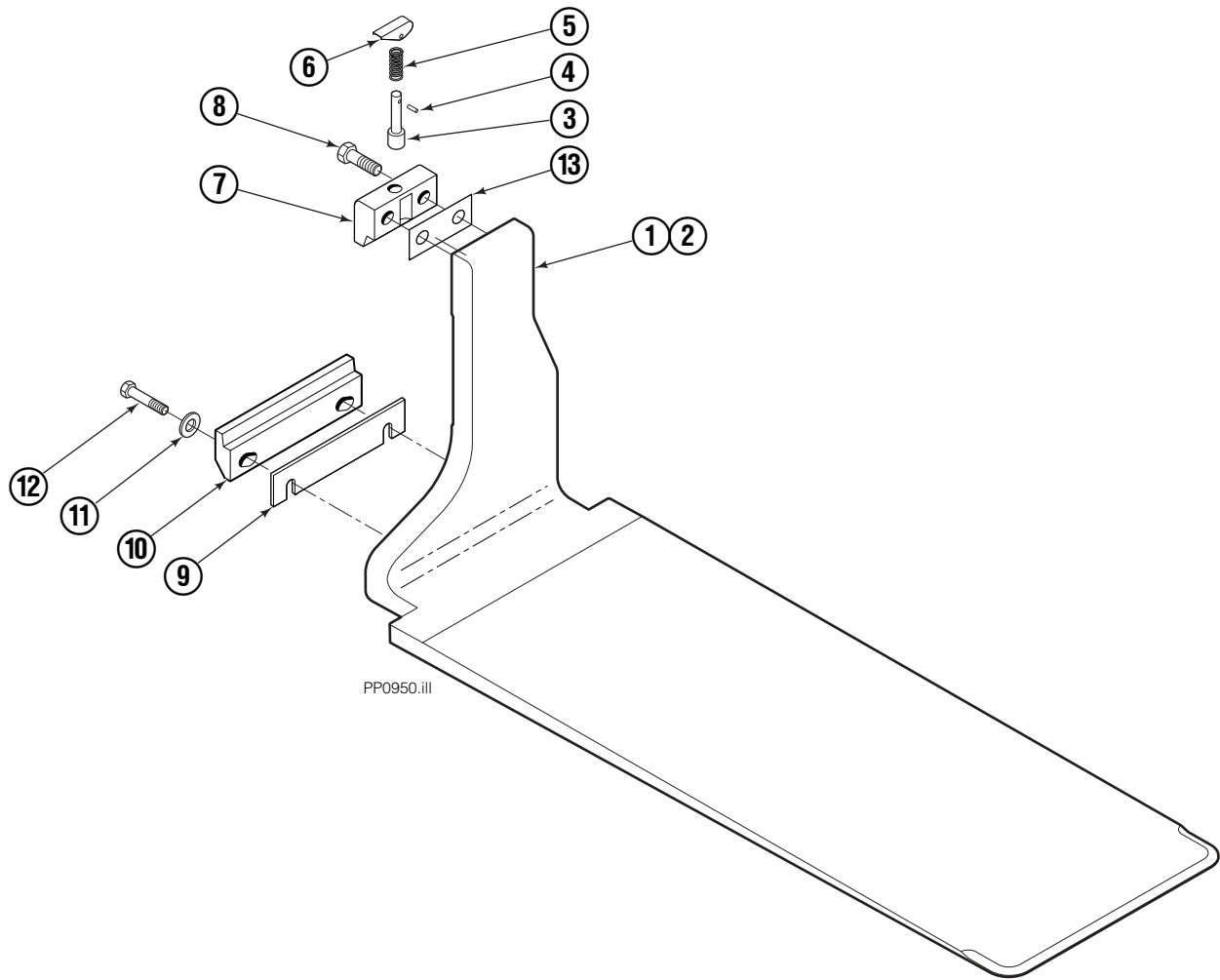
# Decals

## 35E/45E Sheet-Sav



PART NO.	DESCRIPTION
	Parts Manual
686455	Service Manual
684945	Operators Guide
685531	Operators Pocket Guide
684944	Installation Instructions
680664	Servicing Cascade Cylinders-VHS
679929	Tool Catalog
673964	Literature Index Order Form

# Platens



PP0950.iii

**Note:** Usable platen lengths are determined by measuring from the faceplate (fully retracted position) to the platen tip or total platen length minus 4 1/2".

REF	QTY	PART NO.	DESCRIPTION
		376704	Platen Group - 18"x60"
1	1	376706	Platen L. H. - 18"x60"
2	1	376705	Platen R. H. - 18"x60"
3	2	622907	▲ Pin
4	2	8007	▲ Rivet
5	2	622908	▲ Spring
6	2	622897	▲ Handle
7	2	685533	▲ Upper Hook
8	4	685534	Capscrew
9	★	682858	Shim (.030)
10	2	682851	Lower Hook
11	4	667225	Washer
12	4	209016	Capscrew
13	●	688379	Shim (.060)

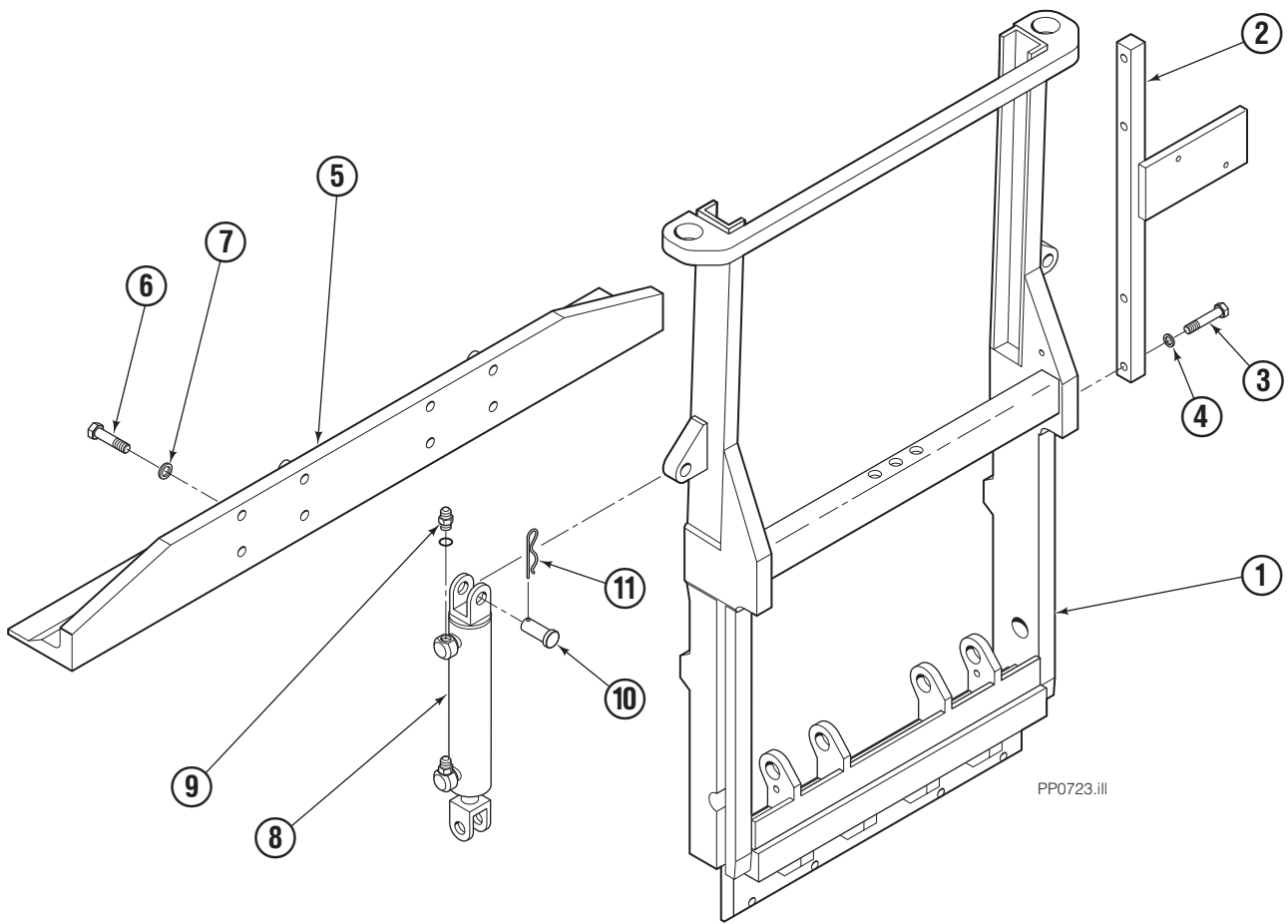
★ As required.

● As required (2 maximum)

▲ Included in Upper Hook Assembly 688386.

Reference: S-3985.

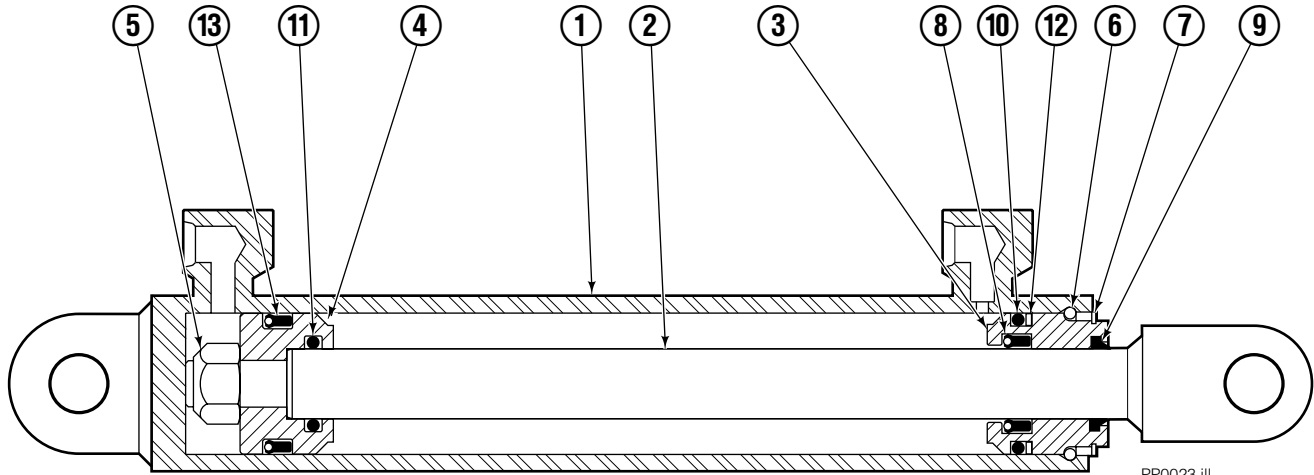
# Frame Group



35E			
REF	QTY	PART NO.	DESCRIPTION
		395109	Frame Group
1	1	372418	Frame
2	1	376884	Bar
3	2	768525	Capscrew, M8 x 40
4	2	686119	Washer, M8
5	1	206955	Foot
6	8	766929	Capscrew, M12 x 40
7	8	678991	Lockwasher, M12
8	2	583942	Cylinder ◆
9	4	617915	Fitting, 4-4
10	4	678525	Clevis Pin
11	4	672726	Cotter Pin

◆ See Cylinder page for parts breakdown.

# Sheet-Sav Cylinder



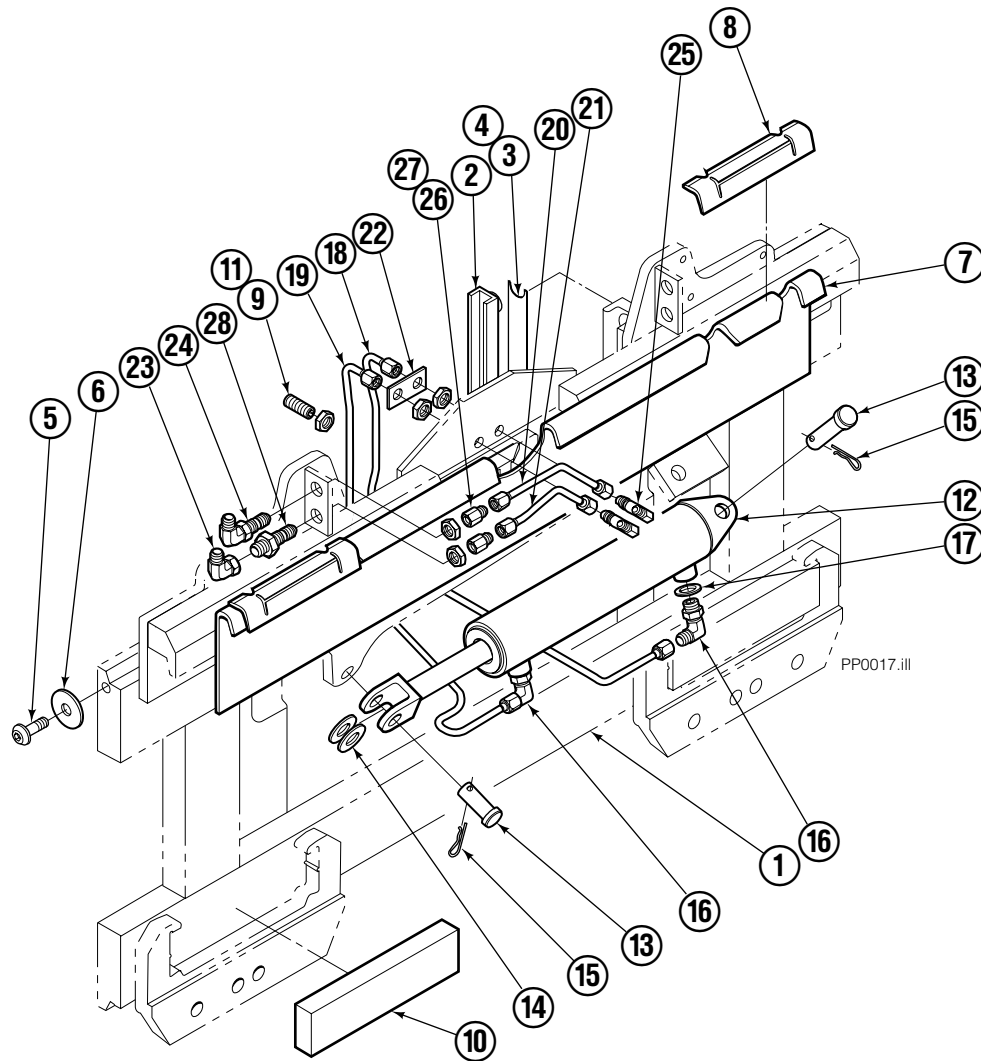
PP0023.ill

## 35E/45E

REF	QTY	PART NO.	DESCRIPTION
		583942	Cylinder Assembly
1	1	564162	Shell
2	1	564165	Rod
3	1	685664	Retainer
4	1	685665	Piston
5	1	563462	Nut
6	1	563916	Seal
7	1	3137	Retaining Ring
8	1	646540	■ Seal
9	1	636850	■ Wiper
10	1	2718	■ O-Ring
11	1	2710	■ O-Ring
12	1	615122	■ Back-up Ring
13	1	663728	■ Seal

■ Included in Service Kit 684827.

# S/S Platen Carrier Group ITA II



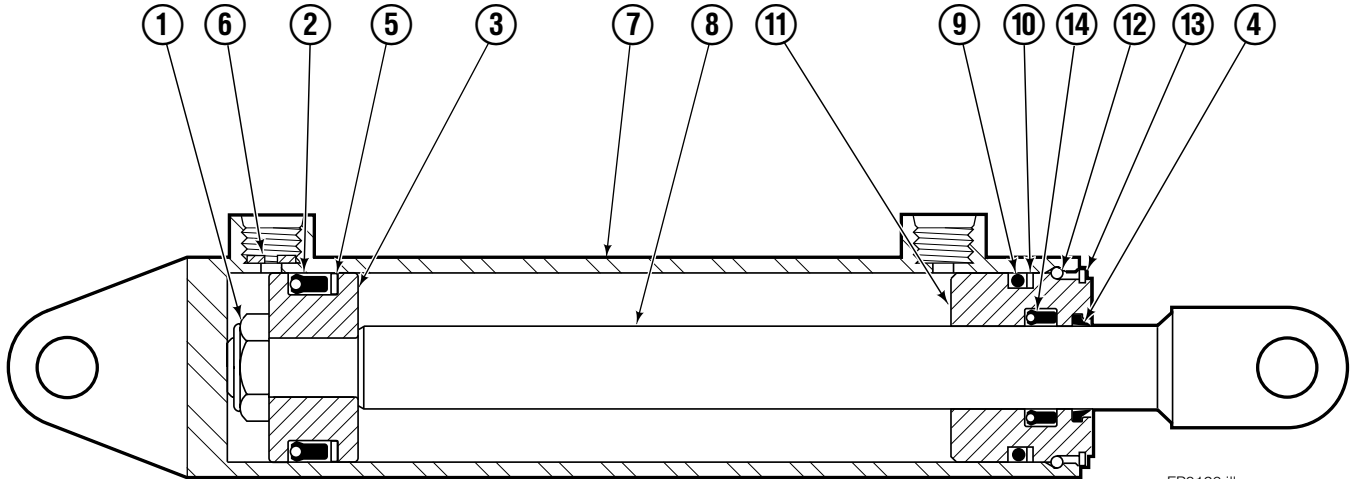
## 35E/45E

REF	QTY	PART NO.	DESCRIPTION	REF	QTY	PART NO.	DESCRIPTION
		376693	Platen Carrier Group	15	2	6517	Cotter Pin
1	1	206958	Platen Carrier	16	2	666984	Fitting, 6-6
2	2	206964	Bearing	17	1	675550	Washer
3	●	674298	Shim (.015)	18	1	207042	Tube
4	●	674299	Shim (.020)	19	1	207043	Tube
5	2	683142	Capscrew	20	1	—	Tube
6	2	683001	Washer	21	1	—	Tube
7	1	682554	Anchor Bracket	22	1	207046	Spacer
8	2	671165	Bearing	23	1	—	Fitting, 6-6
9	2	768759	Setscrew	24	1	—	Fitting, 6-6
10	2	682814	Bearing	25	2	2451	Fitting, 4-4
11	2	688387	Jam Nut	26	2	2617	Fitting, 6
12	1	675548	Cylinder Assembly ■	27	2	2669	Fitting, 4-6
13	2	678525	Pin-Clevis	28	1	2375	Fitting, 6-6
14	2	6234	Washer				

● As required, maximum 1 per side.

■ See Cylinder page for parts breakdown.

# Sideshift Cylinder ITA Class III

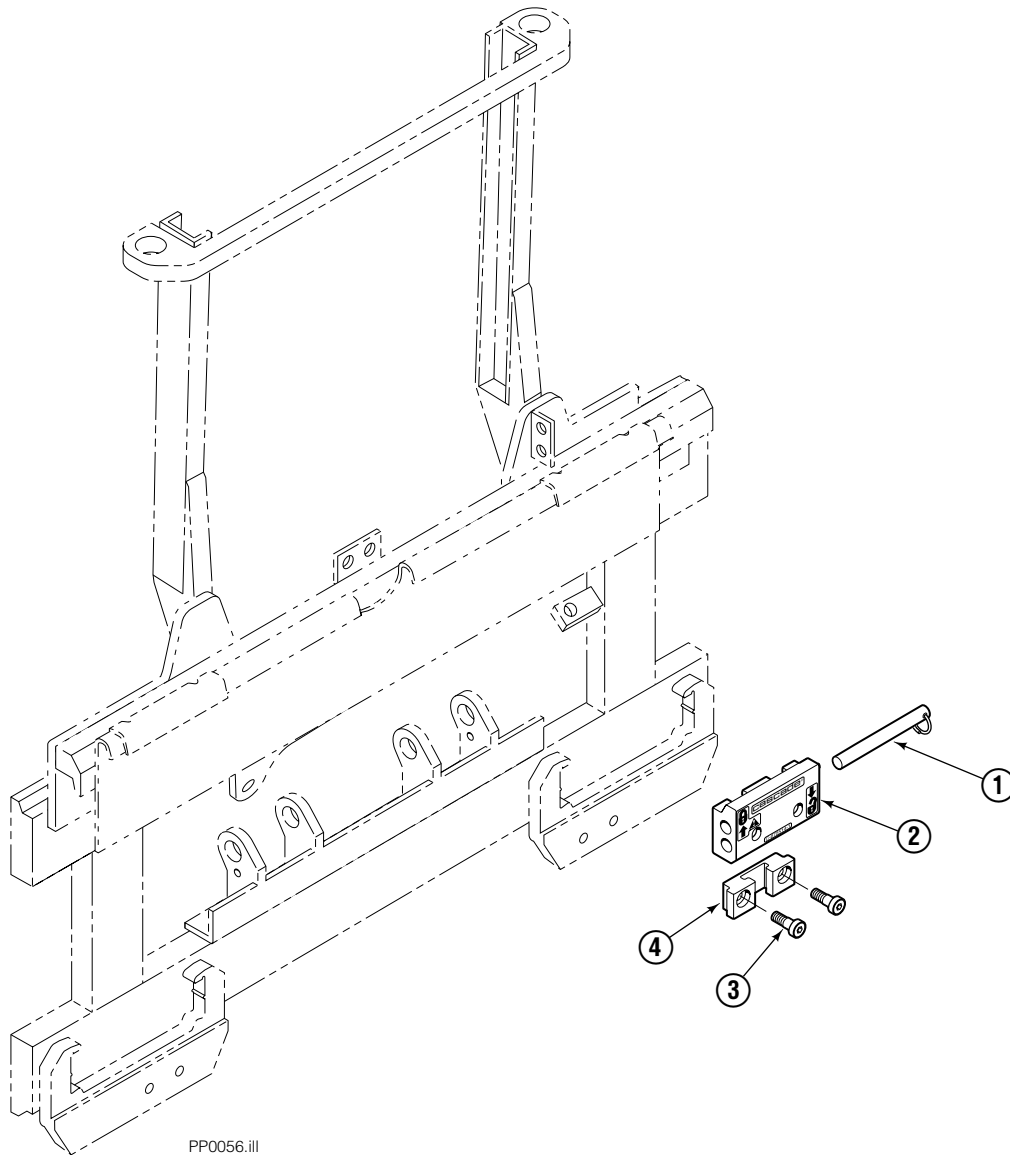


FP0126.ill

55E			
REF	QTY	PART NO.	DESCRIPTION
		675548	Cylinder Assembly
1	1	553857	Nut
2	1	662452	■ Seal
3	1	553501	Piston
4	1	636851	■ Wiper
5	1	638247	■ Back-up Ring
6	1	675550	Washer (orifice .085 in.)
7	1	675549	Shell
8	1	553449	Rod
9	1	2785	■ O-Ring
10	1	615128	■ Back-up Ring
11	1	553500	Retainer
12	1	553856	Retaining Ring
13	1	7202	Snap Ring
14	1	641835	■ Seal
		553861	Service Kit

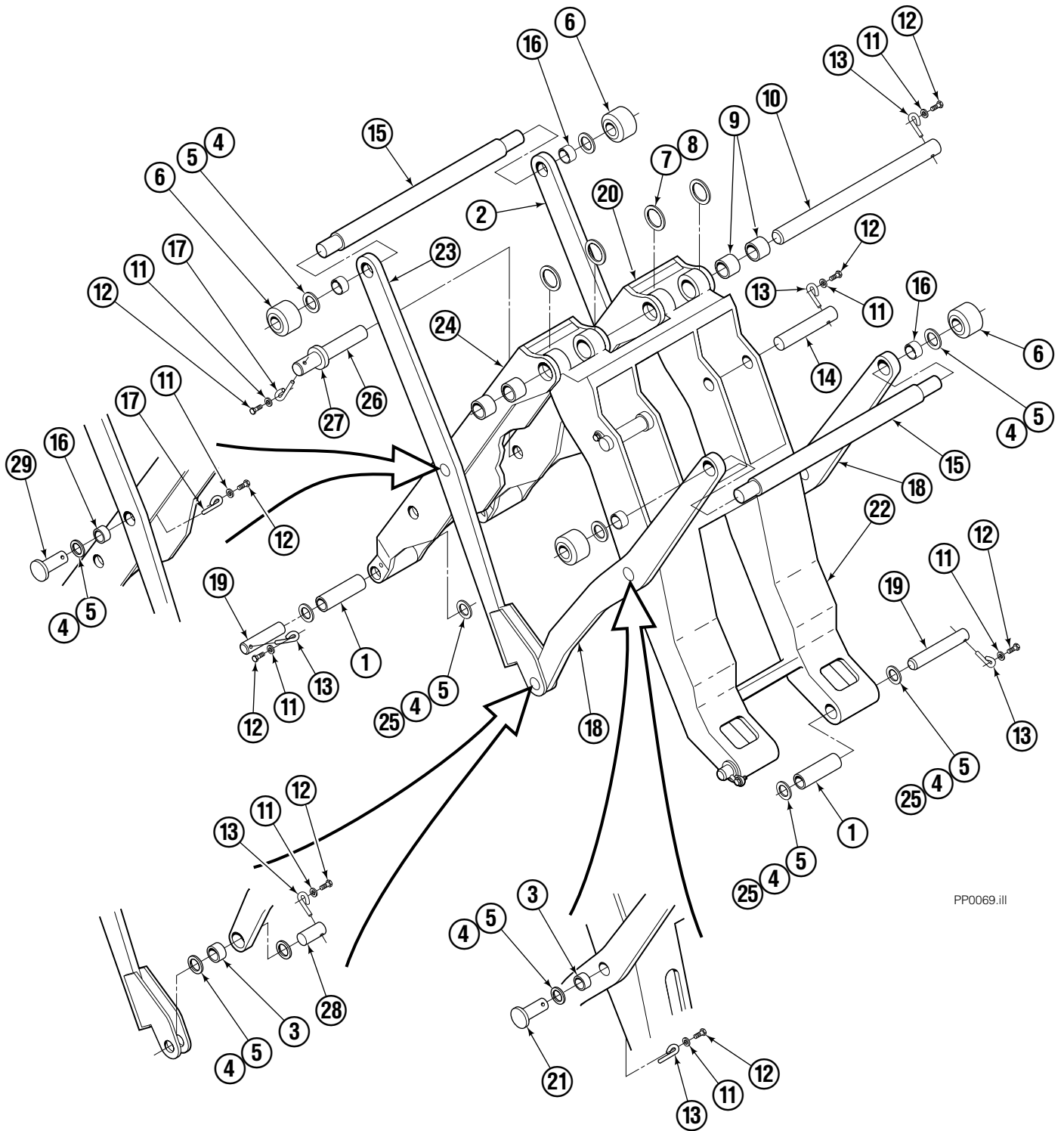
■ Included in Service Kit 553861.

# Quick-Change Lower Hook Group ITA II



REF	QTY	PART NO.	DESCRIPTION
		683179	Lower Hook Group ITA II
1	2	678832	Pin
2	2	675514	Hook
3	4	683182	Capscrew
4	2	675515	Guide

# Mechanism Group



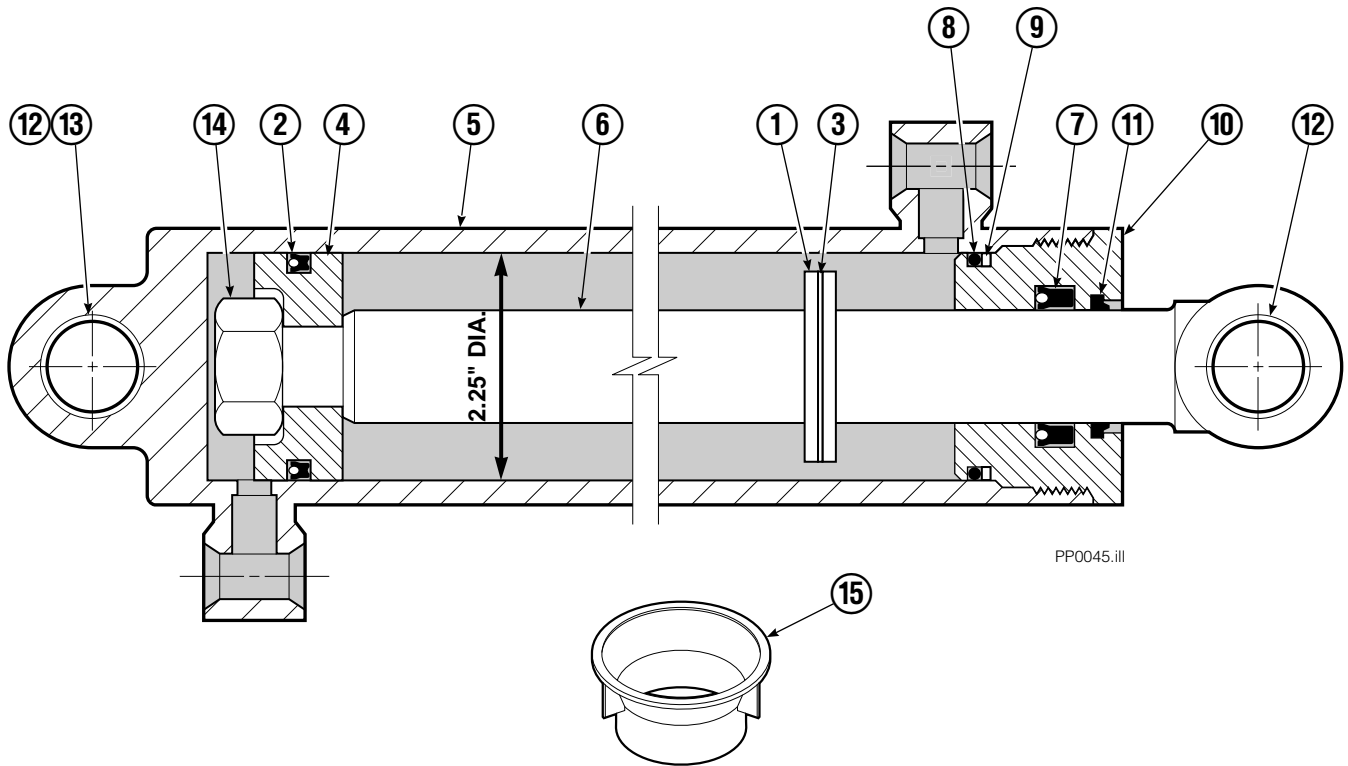
PP0069.iii

# Mechanism Group

35E/45E			
REF	QTY	PART NO.	DESCRIPTION
		204422	Mechanism Group
1	4	204535	■ Bushing
2	1	204522	Arm – Secondary Outer RH
3	6	683154	■ Bushing
4	●	683161	Shim (.030)
5	●	683162	Shim (.060)
6	4	205070	Roller
7	●	683163	Shim (.030)
8	●	683164	Shim (.060)
9	4	683155	■ Bushing
10	1	682821	Pin
11	15	6229	Washer
12	15	685661	Capscrew
13	11	682999	Eye-Pin
14	2	682822	Pin-Head
15	2	205065	Pin
16	4	689202	■ Bushing
17	4	689954	Eye-Pin
18	2	204520	Arm – Outer Primary
19	4	204533	Pin – Frame
20	1	204519	Arm – Inner Secondary RH
21	2	689198	Pin – Primary Outer
22	1	204517	Arm – Inner Primary
23	1	204521	Arm – Secondary Outer LH
24	1	204518	Arm – Inner Secondary LH
25	●	204532	Shim
26	2	682823	Pin-Rod
27	2	683165	Spacer
28	2	204534	Pin – Outer
29	2	204600	Pin – Secondary Outer

- Quantity as required.
- Included in Service Kit 205076.

# Cylinder

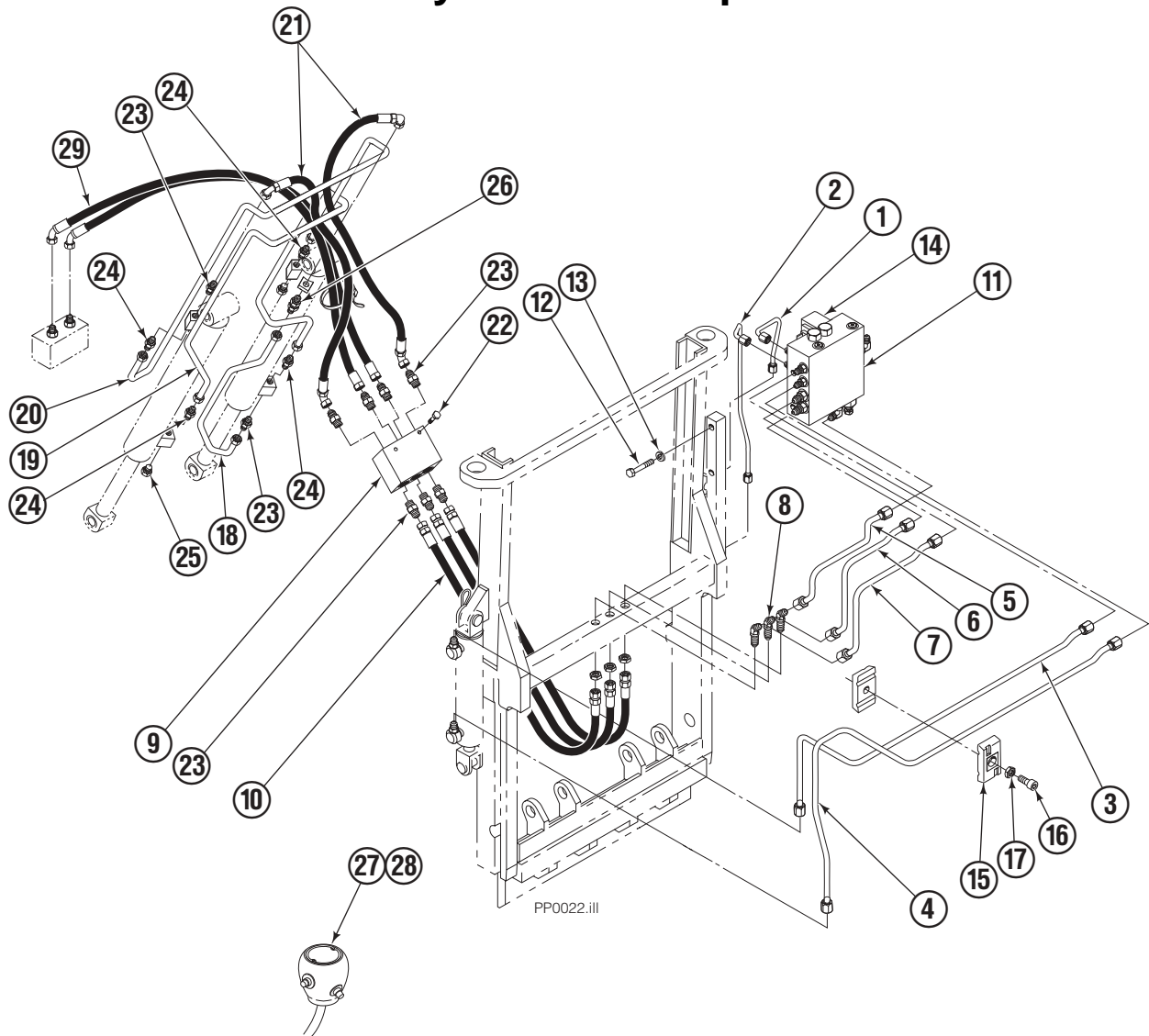


REF	QTY	PART NO.	DESCRIPTION
		582636	Cylinder Assembly
1	1	—	Spacer
2	1	564159	■ Seal
3	1	7348	Snap Ring
4	1	564161	Piston
5	1	562717	Shell
6	1	558626	Rod
7	1	662448	■ Seal
8	1	2787	■ O-Ring
9	1	615130	■ Back-Up Ring
10	1	558628	Retainer
11	1	636853	■ Wiper
12	4	559697	Bearing
13	1	559698	Spacer
14	1	678019	Nut
15	1	671048	■ Seal Loader Kit

■ Included in Service Kit 562339.

Reference: S-3424.

# Hydraulic Group



## 35E/45E

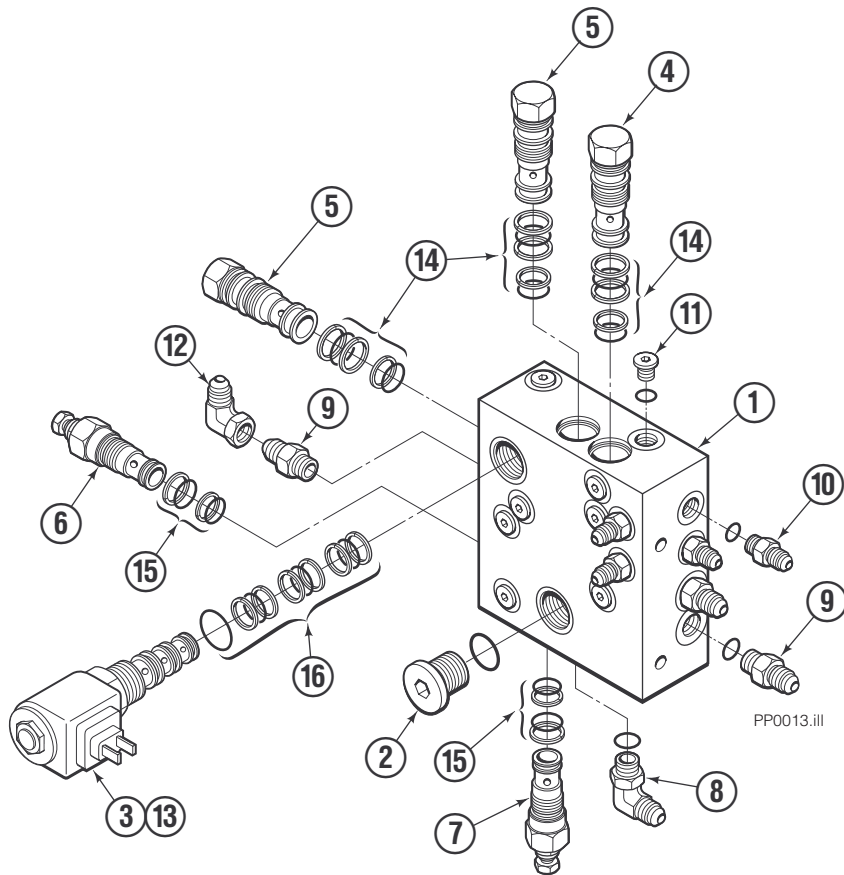
REF	QTY	PART NO.	DESCRIPTION	REF	QTY	PART NO.	DESCRIPTION
		395108	Hydraulic Group (without gripper control)	15	2	207041	Clamp
1	1	372238	Tube	16	1	768794	Capscrew, M8 x 20
2	1	372239	Tube	17	1	767414	Nut
3	1	372425	Tube	18	1	200647	Tube
4	1	372426	Tube	19	1	200648	Tube
5	1	372427	Tube	20	1	200649	Tube
6	1	372428	Tube	21	2	200005	Hose
7	1	372235	Tube	22	2	763166	Capscrew, M8 x 25
8	3	2492	Fitting, 6-6	23	7	604511	Fitting, 6-6
9	1	206927	Junction Block	24	4	605235	Fitting, 5-6
10	3	200480	Hose	25	2	604510	Fitting, 6
11	1	206942	■ Valve (without gripper control)	26	1	2375	Fitting, 6-6
12	2	768525	Capscrew, M8 x 40	28	1	206939	● Knob (without gripper control)
13	2	686119	Washer	29	1	689204	Hose
14	1	669432	Diode (without gripper control)				

■ See Valve page for parts breakdown.

● See Knob page for parts breakdown.

# Valve

## Without Independent Gripper Control

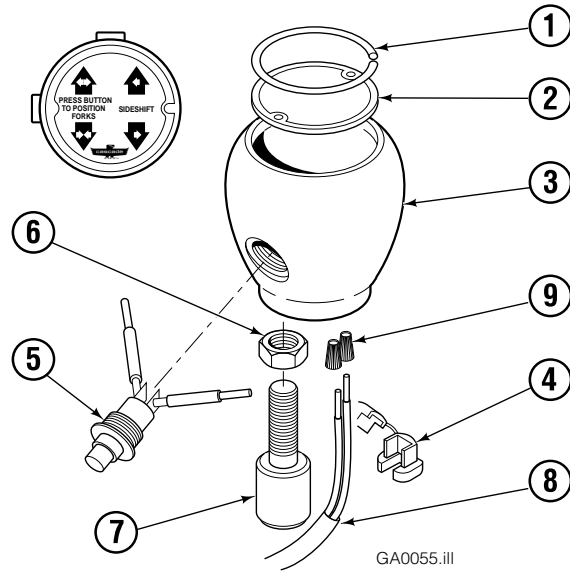


<b>35E/45E</b>			
REF	QTY	PART NO.	DESCRIPTION
		206942	Valve Assembly
1	1	206943	Valve Body
2	1	609453	Fitting, 10
3	1	206991	Solenoid Valve
4	1	206944	Check Valve
5	2	659058	Check Valve
6	1	677125	Relief Valve
7	1	677124	Relief Valve
8	2	601676	Fitting, 6-6
9	3	604511	Fitting, 6-6
10	4	617915	Fitting, 4-4
11	12	609234	Fitting, 4
12	1	2680	Fitting, 6-6
13	1	206995	Coil – 12V ●
13	1	206996	Coil – 24V ●
13	1	206997	Coil – 36V ●
13	1	206998	Coil – 48V ●
14	3	667516	Service Kit
15	2	669597	Service Kit
16	1	667379	Service Kit

● Not included in Valve Assembly.

# Control Knob

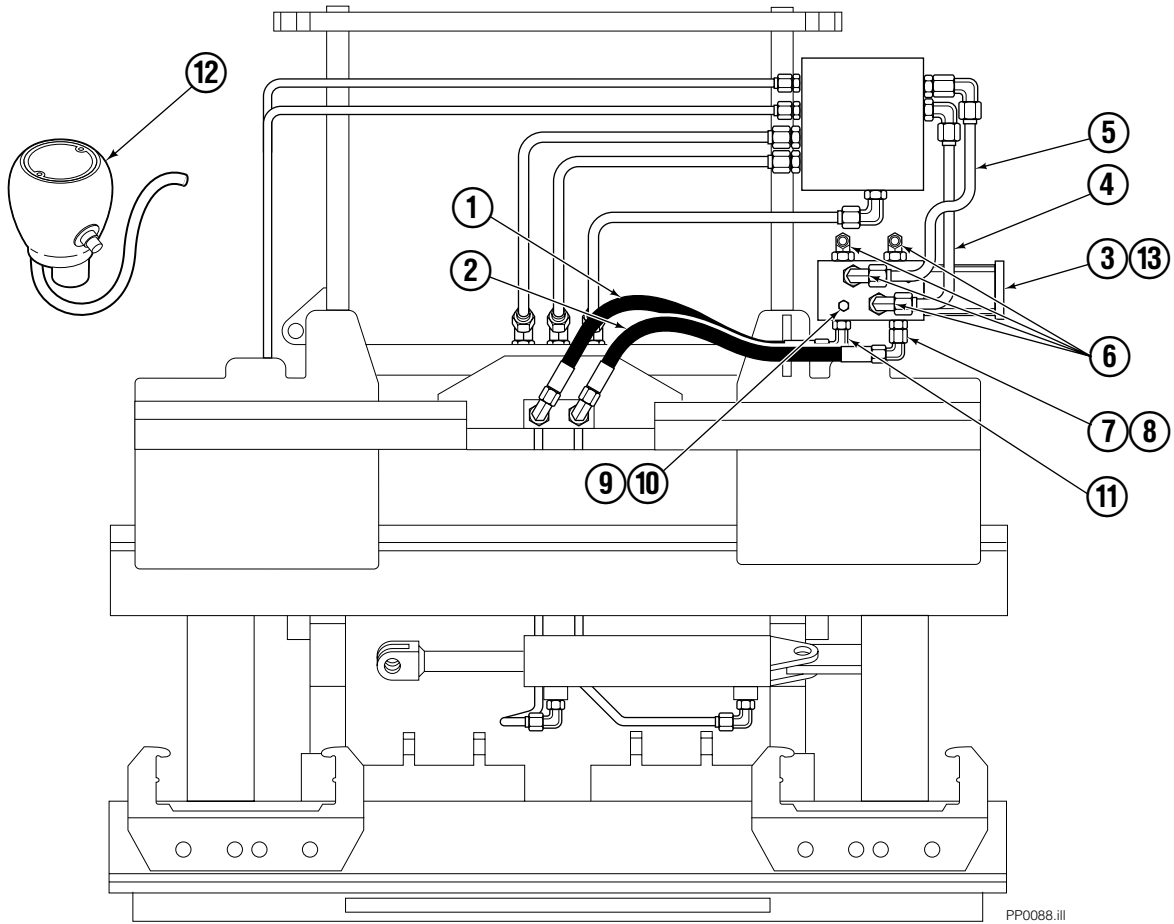
## Without Gripper Control



35E/45E			
REF	QTY	PART NO.	DESCRIPTION
		206939	Knob Group
1	1	665250	Snap Ring
2	1	206986	Cover
3	1	667012	Knob
4	1	665076	Strain Relief
5	1	677112	■ Switch
6	1	5902	Nut, 3/8 NC
7	1	665081	Adapter
8	1	667718	Cable Assembly
9	2	667752	Connector – Gray

■ This switch may be purchased without wires. Order part number 665004. Soldering is required.

# Solenoid Adaption Group



PP0088.iii

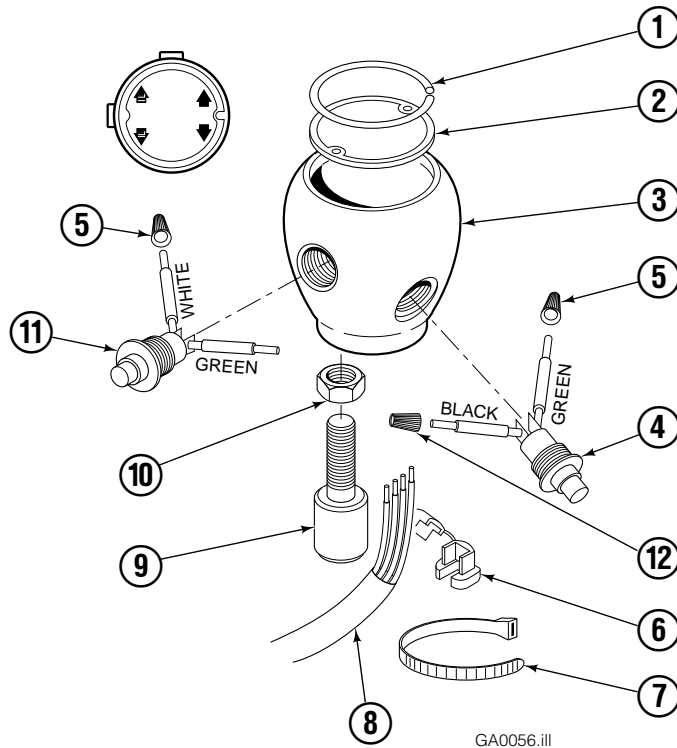
35E/45E			
REF	QTY	PART NO.	DESCRIPTION
		376631	Solenoid Group
1	1	211895	Hose
2	1	211896	Hose
3	1	669432	Diode
4	1	376634	Tube
5	1	376635	Tube
6	4	601676	Fitting, 6-6
7	1	627850	Fitting, 4-6
8	1	617641	Fitting, 4-4
9	2	768521	Capscrew, M6x1x80
10	2	6201	Lockwasher, M6
11	1	666984	Fitting, 4-6
12	1	673133	Knob Assembly ●
13	1	■	Solenoid Valve

● See Knob Assembly page for parts breakdown.

■ See Solenoid Valve page for parts breakdown.

# Control Knob

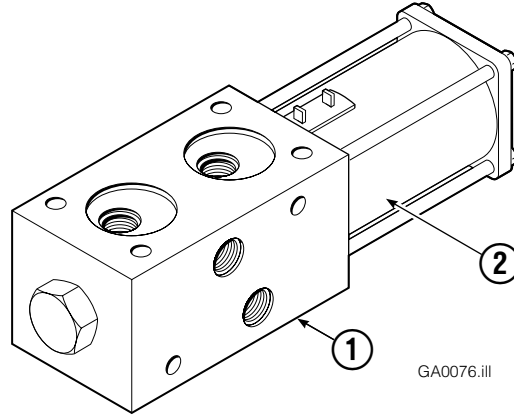
## Three Function – Sideshift with Adjustable Platens



35E/45E			
REF	QTY	PART NO.	DESCRIPTION
		673133	Knob Group
1	1	665250	Snap Ring
2	1	673134	Cover
3	1	667753	Knob
4	1	673873	■ Switch
5	2	667752	Connector-Gray
6	1	669385	Strain Relief
7	1	665249	Tie
8	1	673874	Cable Assembly
9	1	665081	Adapter
10	1	5902	Nut, 3/8 NC
11	1	673872	■ Switch
12	1	671900	Connector-Orange

■ This switch may be purchased without wires. Order part number 665004. Soldering is required.

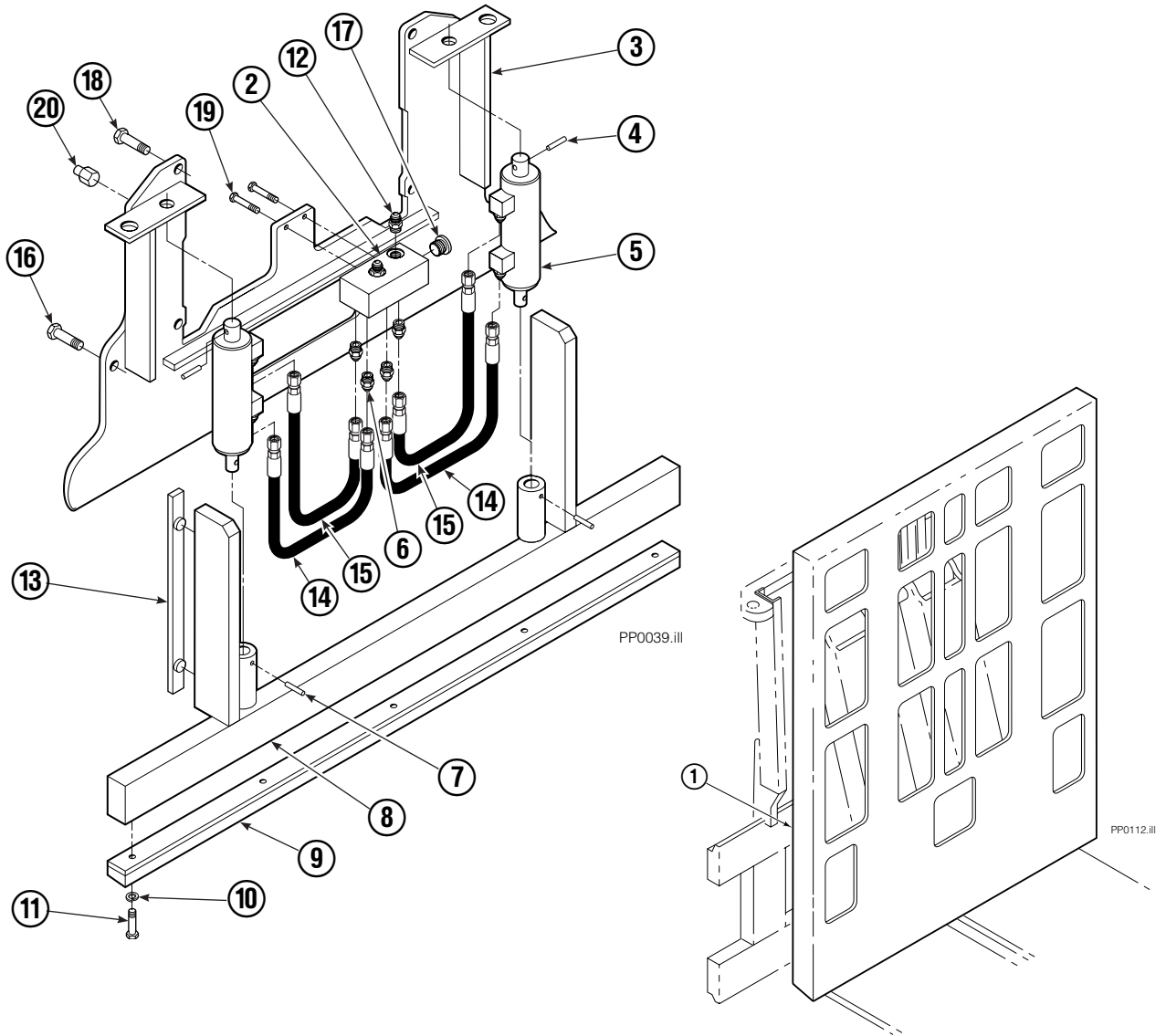
# Solenoid Valve



## Racine

REF	QTY	PART NO.	DESCRIPTION
1	1	614089	Solenoid Valve – 12V
2	1	665044	Coil – 12V
		685012	Service Kit

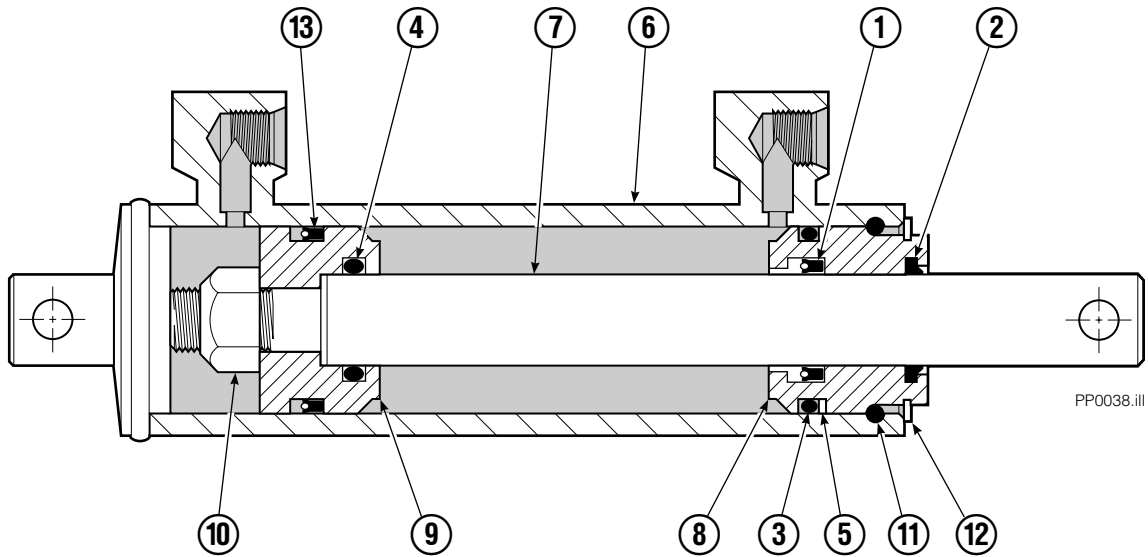
# Faceplate Group



35E/45E							
REF	QTY	PART NO.	DESCRIPTION	REF	QTY	PART NO.	DESCRIPTION
		206385	Faceplate Group 40" x 48" ■	10	5	6444	Lockwasher
		205961	Gripper Jaw Assembly ●	11	5	768794	Capscrew, M8x1,25x20-8.8
1	1	204485	Faceplate 40" x 48" ■	12	2	604511	Fitting, 6-6
2	1	205959	Junction Block	13	2	686573	Bearing
3	1	206396	Gripper Jaw	14	2	205957	Hose
4	2	673385	Drive Pin	15	2	205958	Hose
5	2	682844	Gripper Cylinder ▼	16	2	768710	Capscrew
6	8	617915	Fitting, 4-4	17	2	609234	Plug, 4
7	2	200877	Drive Pin	18	2	779010	Capscrew
8	1	206403	Gripper Bar	19	2	763166	Capscrew, M8x1,25x25-8.8
9	1	672712	Gripper Pad	20	4	682850	Stop

- Width x height.
- Includes items 2 through 20.
- ▼ See Gripper Cylinder page for parts breakdown.

# Gripper Cylinder



35E/45E			
REF	QTY	PART NO.	DESCRIPTION
		682844	Gripper Cylinder
1	1	646540	▼ Seal
2	1	636850	▼ Wiper
3	1	2718	▼ O-Ring
4	1	2710	▼ O-Ring
5	1	615122	▼ Back-Up Ring
6	1	685662	Shell
7	1	685663	Rod
8	1	685664	Retainer
9	1	685665	Piston
10	1	563462	Nut
11	1	563916	Ring
12	1	684284	Snap Ring
13	1	663728	▼ Piston Seal

▼ Included in Service Kit 684827.

**Do you have questions you need answered right now?** Call your nearest Cascade Parts Department. Visit us online at [www.cascorp.com](http://www.cascorp.com)

**Cascade Corporation**

2501 Sheridan Avenue  
Springfield, OH 45505  
Tel: 888-CASCADE (227-2233)  
FAX: 888-329-0234

**Cascade Canada Inc.**

5570 Timberlea Blvd.  
Mississauga, Ontario  
Canada L4W-4M6  
Tel: 905-629-7777  
FAX: 905-629-7785

**Cascade GmbH**

Dahlener Strasse 570  
41239 Mönchengladbach  
Germany  
Tel: 02166-68230  
FAX: 02166-682323

**Cascade Finland**

A. Petreliuksenkatu 3  
01370 Vantaa  
Finland  
Tel: 09-8361925  
FAX: 09-8361935

**Cascade N.V.  
Benelux Sales and Service**

Damsluisweg 56  
PO Box 3009  
1300 El Almere  
The Netherlands  
Tel: 036-5492950  
FAX: 036-5492974

**Cascade (UK) Ltd.**

Unit 5, Eden Close  
Hellaby Lane Ind. Estate  
Heellaby,  
Rotherham S66 8RW  
England  
Tel: 01709-704500  
FAX: 01709-704501

**Sales Scotland  
Macade Systems Ltd.**

18 Melford Road  
Righead Ind. Estate  
Bellshill ML4 3LR  
Scotland  
Tel: 01698-845777  
FAX: 01698-845888

**Cascade (Africa) Pty. Ltd.**

PO Box 625, Isando 1600  
60A Steel Road  
Sparton, Kempton Park  
South Africa  
Tel: 975-9240  
FAX: 394-1147

**Cascade Scandinavia AB**

Hammarvägen 10  
PO Box 124  
S-56723 Vaggeryd  
Sweden  
Tel: 039-336950  
FAX: 039-336959

**Cascade France  
S.A.R.L. MHP**

1D Rue De Charaintru  
BP 18,  
91360 Epinay-Sur-Orge  
France  
Tel: 01-6454-7500  
FAX: 01-6454-7501

**Cascade Hispania S.A.**

Carrer 5, Sector C  
Zona Franca Duanera  
Poligono de la Zona Franca  
08040 Barcelona  
Spain  
Tel: 93-264-07-30  
FAX: 93-264-07-31

**Sales Italy**

Via Ponzano 11  
50047 Prato  
Italy  
Tel: 0574-571726  
FAX: 0574-571726  
Mobile Phone: 0337-673029

**Sales Portugal FAG  
Santos Lda**

Rua do Mercado  
Lte 6, Loja 2-Tires  
2785-630  
S. Domingos De Rana  
Portugal  
Tel: 214-448-083  
FAX: 214-458-098

**Sales Switzerland  
Fahrzeugbedarf**

8810, Horgen  
Switzerland  
Tel: 01-7279797  
FAX: 01-7279798

**Sales Poland**

Targowa 35/61  
03-728 Warszawa  
Tel: 022-619 00 49  
FAX: 022-619 00 49  
Mobile Phone: 0501-27 29 55

**Sales Russia**

EMCG Material Handling  
Equipment  
Moscow  
Tel: 095-795-2400  
FAX: 095-795-2475  
Email: [emcg@dol.ru](mailto:emcg@dol.ru)

**Cascade Japan Ltd.**

5-5-41,  
Torikai Kami  
Settsu, Osaka  
Japan, 566  
Tel: 81-726-53-3490  
FAX: 81-726-53-3497

**Cascade Korea**

108B Namdong Ind. Complex  
658-3 Gojan-Dong  
Namdong-Gu  
Inchon, 405-310 Korea  
Tel: 82-32-821-2051  
FAX: 82-32-821-2055

**Cascade Australia**

1445 Ipswich Road  
Rocklea, QLD 4106  
Australia  
Tel: 1-800227-223  
FAX: (07) 3373-7333

**Cascade New Zealand**

15 Ra Ora Drive  
East Tamaki, Auckland  
New Zealand  
Tel: 9-273-9136  
FAX: 9-273-9137

**Cascade-Xiamen**

No. 668 Yangguang Rd.  
Xinyang Industrial Zone  
Haicang, Xiamen City  
Fujian Province  
P.R. China 361026  
Tel: 86-592-651-2500  
FAX: 86-592-651-2571

**Cascade (Singapore)  
Trading Co.**

Four Seasons Park  
Autumn Block - Apt. 1802  
12 Cuscaden Walk  
Singapore  
Tel: 65-834-1935  
FAX: 65-834-1936

