



# Parts Manual

---

Model \_\_\_\_\_ Rotator \_\_\_\_\_

Serial Number \_\_\_\_\_ 55G-RRB-20A R5 \_\_\_\_\_

---

**cascade**®  
**corporation**

**For Technical Assistance call:** 800-227-2233, Fax: 888-329-8207

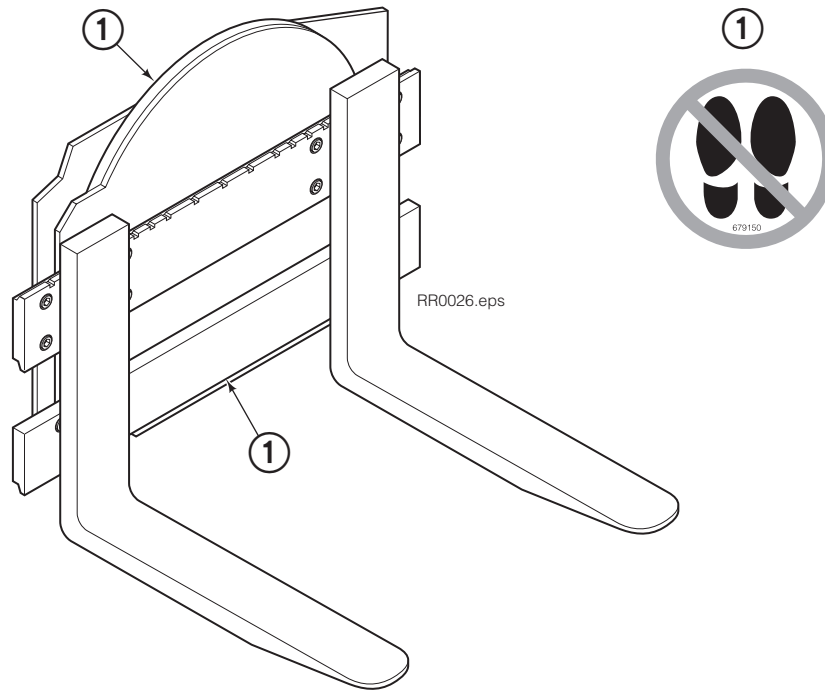
**To Order Parts call:** 888-227-2233, Fax: 888-329-0234

**OR**

**Write:** Cascade Corporation, P.O. Box 20187, Portland, OR 97220

**Internet:** [www.cascorp.com](http://www.cascorp.com)

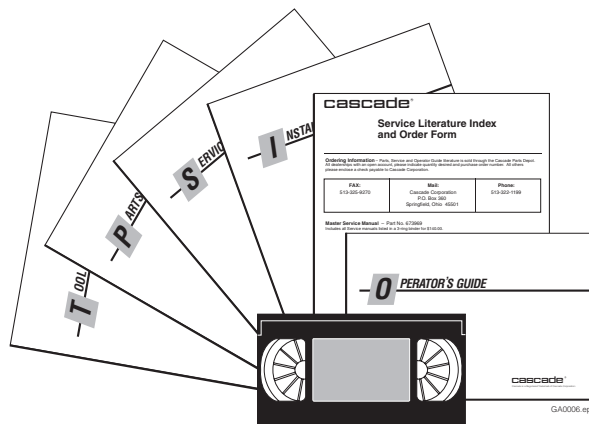
# Safety Decals



RR0026.eps

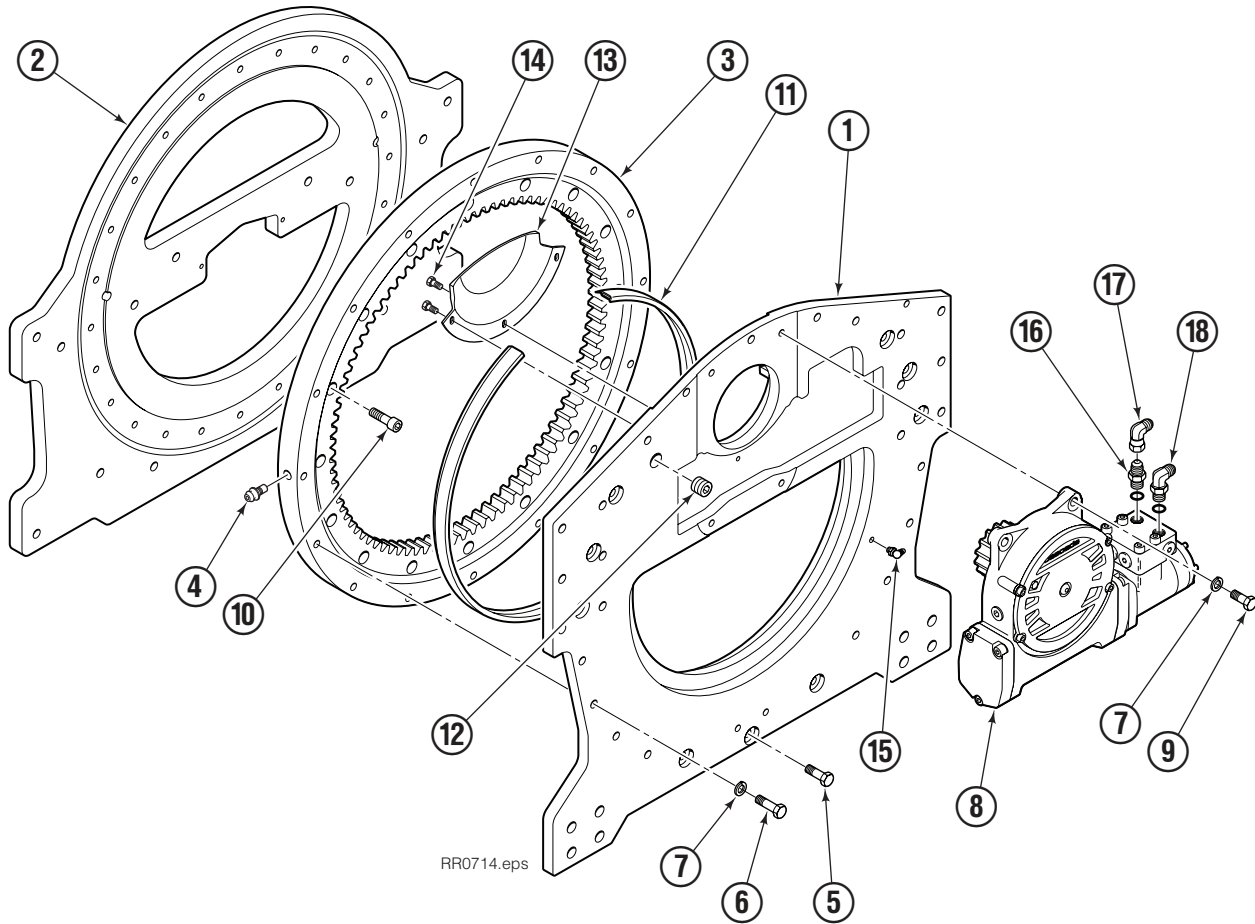
| G Rotator |     |          |               |
|-----------|-----|----------|---------------|
| REF       | QTY | PART NO. | DESCRIPTION   |
| 1         | 1   | 679150   | No Step Decal |

# Publications



| G Rotator |                             |
|-----------|-----------------------------|
| 6073002   | Installation Instructions   |
| 672714    | Operator Guide              |
| 6073955   | Service Manual              |
| 679929    | Tool Catalog                |
| 673964    | Literature Index Order Form |

# Rotator Group



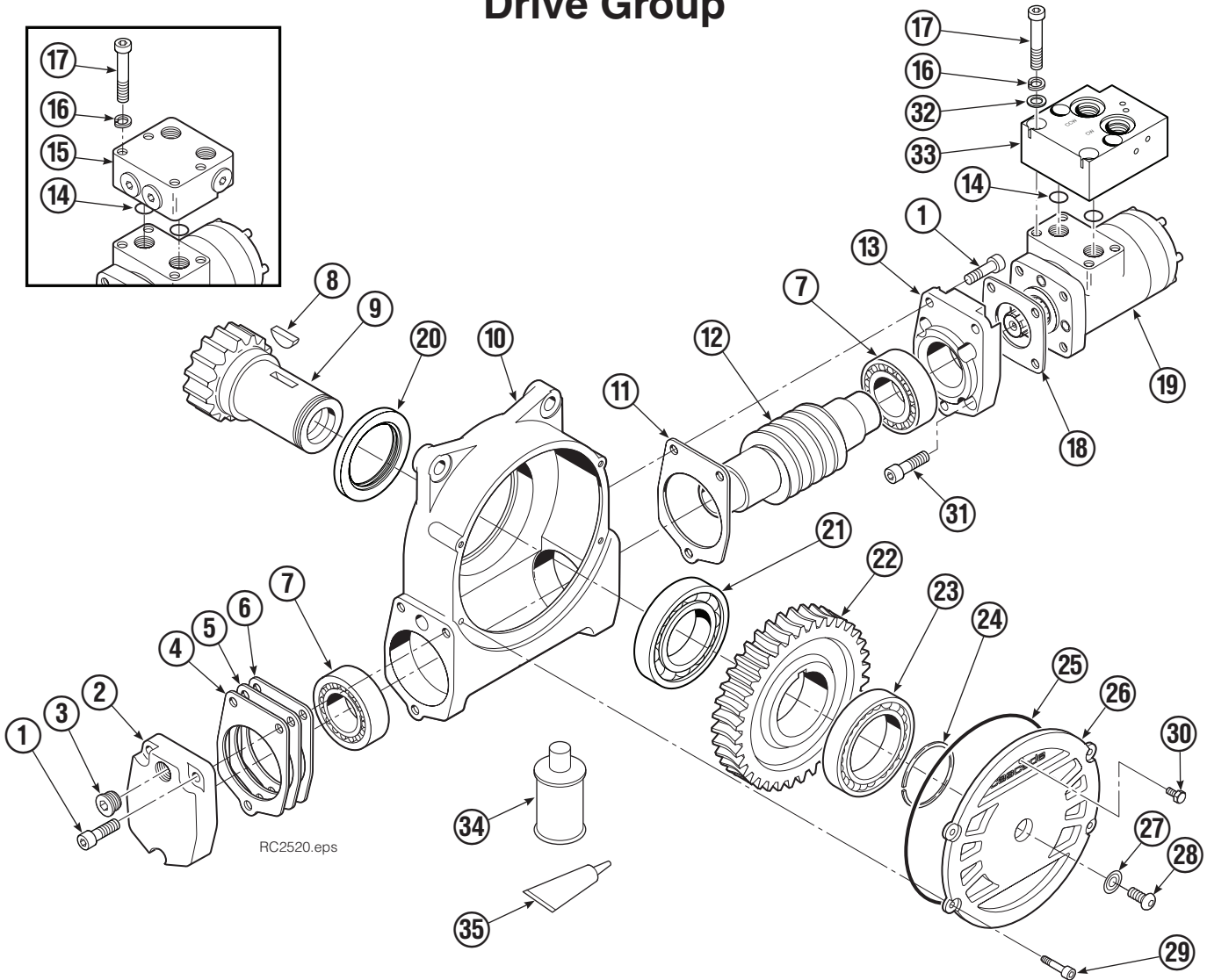
| 55G |     |          |                    |
|-----|-----|----------|--------------------|
| REF | QTY | PART NO. | DESCRIPTION        |
|     |     | 6052600  | Rotator Group      |
| 1   | 1   | 6059682  | Baseplate          |
| 2   | 1   | 6050782  | Faceplate          |
| 3   | 1   | 213761   | Bearing Assembly   |
| 4   | 1   | 7401     | Grease Fitting     |
| 5   | 9   | 6057357  | Capscrew, M12 x 45 |
| 6   | 13  | 213633   | Capscrew, M12 x 55 |
| 7   | 17  | 683822   | Lockwasher, M12    |
| 8   | 1   | 368073   | Drive Group ◆      |
| 9   | 4   | 763021   | Capscrew, M12 x 30 |
| 10  | 24  | 769572   | Capscrew, M12 x 35 |
| 11  | 1   | 6080266  | Seal               |
| 12  | 1   | 6605     | Plug               |
| 13  | 1   | 6077615  | Cover Plate        |
| 14  | 3   | 767961   | Capscrew, M8 x 16  |
| 15  | 1   | 7406     | Grease Fitting     |
| 16  | 1   | 601377   | Fitting, 8-8 ■     |
| 17  | 1   | 605761   | Fitting, 8-8 ■     |
| 18  | 1   | 601250   | Fitting, 8-8 ■     |

◆ See Drive Group page for parts breakdown.

■ Included in Fitting Group 212367.

Reference: Common Parts 6059824, Fastener Kit 6057411.

# Drive Group



| REF | QTY | PART NO. | DESCRIPTION                     | REF | QTY | PART NO. | DESCRIPTION                           |
|-----|-----|----------|---------------------------------|-----|-----|----------|---------------------------------------|
|     |     | 368073   | Drive Group with 2.2 c.i. Motor | 19  | 1   | 206406   | Drive Motor – 2.2 c.i. ■              |
| 1   | 6   | 769570   | Capscrew, M12 x 25              | 20  | 1   | 3014870  | Seal                                  |
| 2   | 1   | 676855   | Cover                           | 21  | 1   | 6033892  | Bearing ★                             |
| 3   | 1   | 604510   | Fitting, 6                      | 22  | 1   | 675609   | Worm Gear                             |
| 4   | ●   | 670574   | Shim – .010" (brown)            | 23  | 1   | 670581   | Bearing                               |
| 5   | ●   | 671757   | Shim – .015" (pink)             | 24  | 1   | 7214     | Snap Ring                             |
| 6   | ●   | 671758   | Shim – .020" (yellow)           | 25  | 1   | 643423   | O-Ring                                |
| 7   | 2   | 670579   | Bearing                         | 26  | 1   | 775552   | Cover                                 |
| 8   | 1   | 670582   | Key                             | 27  | 1   | 783609   | Seal                                  |
| 9   | 1   | 670506   | Pinion                          | 28  | 1   | 783608   | Capscrew, M12 x 16                    |
| 10  | 1   | 775551   | Housing                         | 29  | 4   | 200882   | Capscrew, M8 x 20                     |
| 11  | 1   | 686465   | Gasket                          | 30  | 1   | 644010   | Relief Fitting                        |
| 12  | 1   | 675608   | Worm                            | 31  | 4   | 4468     | Capscrew, 3/8 x .75                   |
| 13  | 1   | 775553   | Adapter                         | 32  | 4   | 221494   | Washer, M8                            |
| 14  | 2   | 2705     | O-Ring                          | 33  | 1   | 6063316  | Check Valve ◆                         |
| 15  | 1   | 670549   | Check Valve ◆                   | 34  | 1   | 656300   | Gear Box Lube – 48 oz.                |
| 16  | 4   | 6444     | Lockwasher                      | 35  | 1   | 668184   | Sealant                               |
| 17  | 4   | 607059   | Capscrew, 5/16 x 1.75           |     |     | 670578   | Shim Service Kit (items 4-6,11,25,35) |
| 18  | 1   | 670575   | Gasket                          |     |     | 212919   | Motor Kit–2.2 (items 11,14,18,19,35)  |

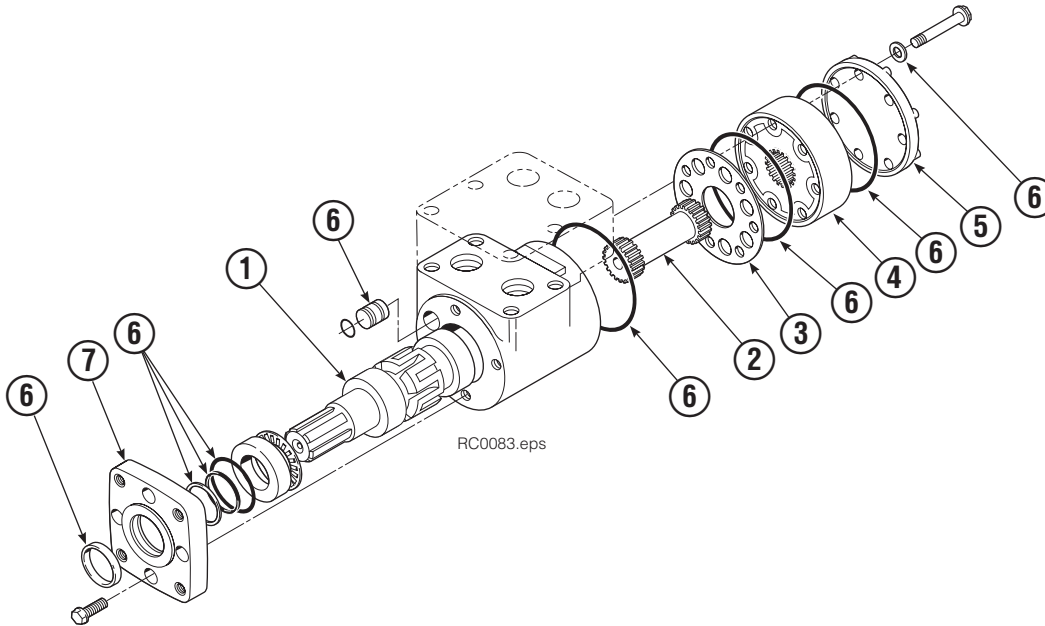
● Quantity as required.

◆ See Valve page for parts breakdown.

■ See Drive Motor page for parts breakdown.

★ For service replacement use Bearing 670580.

# Drive Motor

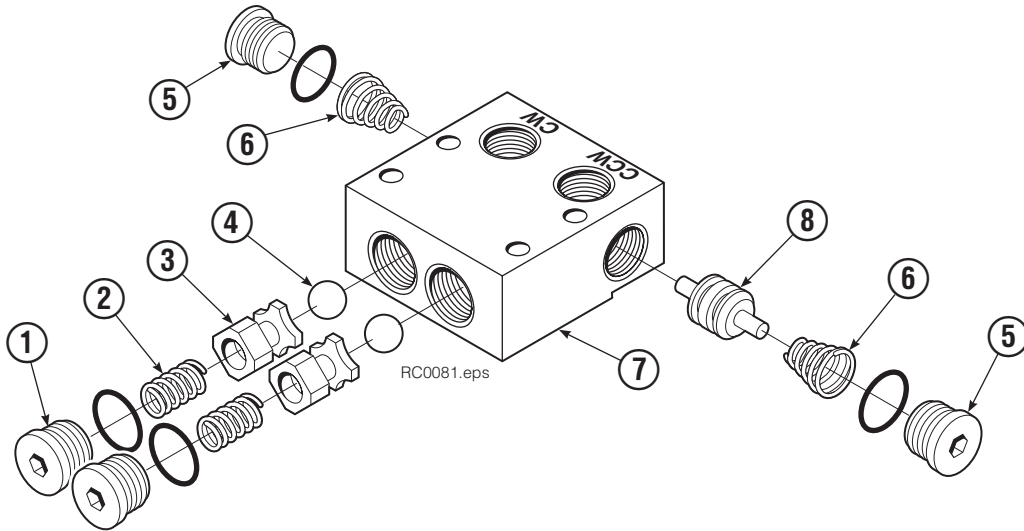


| REF | QTY | PART NO. | DESCRIPTION                  |
|-----|-----|----------|------------------------------|
|     |     | 206406   | Drive Motor – 2.2 c.i.       |
| 1   | 1   | 675478   | Shaft                        |
| 2   | 1   | 675477   | Drive                        |
| 3   | 1   | 675479   | Spacer Plate                 |
| 4   | 1   | 675480   | Gerotor Set (101-1768-007) ■ |
|     | 1   | 685074   | Gerotor Set (101-1768-009) ■ |
| 5   | 1   | 675482   | End Cap                      |
| 6   | 1   | 206405   | Service Kit ●                |
| 7   | 1   | 685089   | Flange (101-1768-007) ■      |
|     | 1   | 685090   | Flange (101-1768-009) ■      |

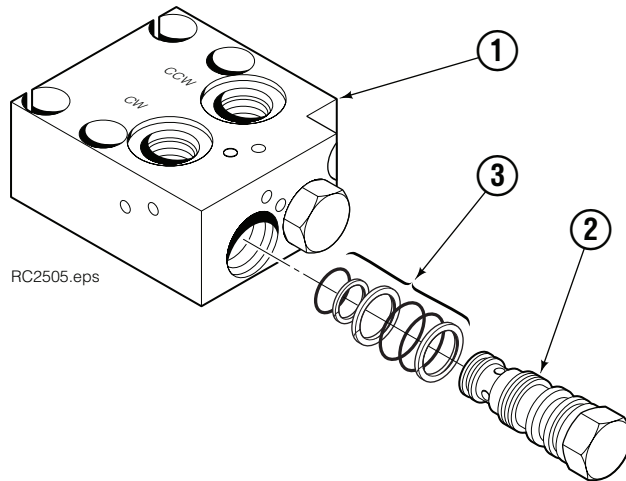
Cascade provides service replacement parts for the listed parts only. Due to cost, if other parts need replacement, the complete drive motor should be replaced.

- See Nameplate under valve for correct part number of Gerotor Set and Flange.
- Compatible with water glycol based hydraulic fluids.

# Check Valve

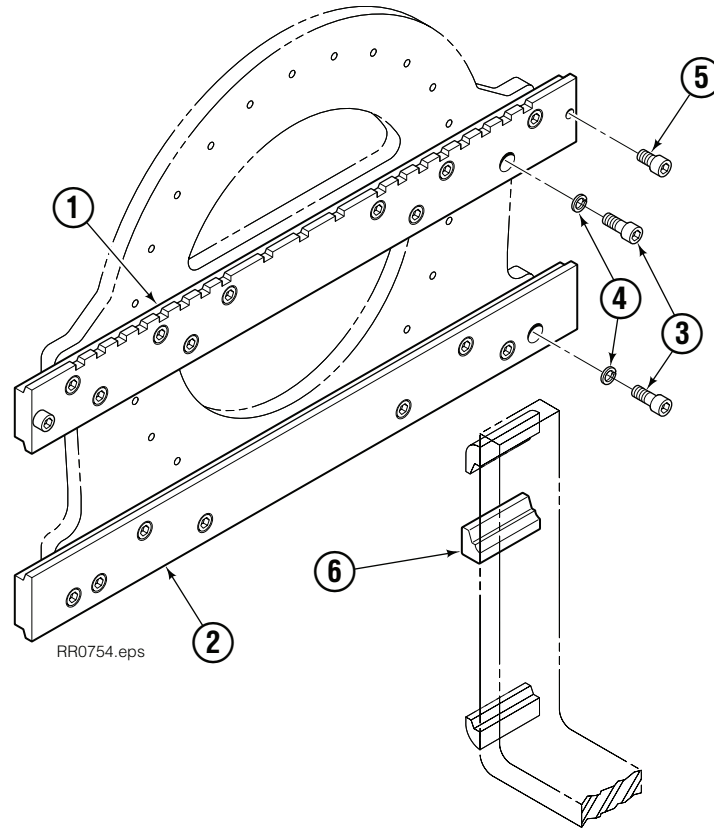


| REF | QTY | PART NO. | DESCRIPTION          |
|-----|-----|----------|----------------------|
|     |     | 670549   | Check Valve Assembly |
| 1   | 2   | 609453   | Fitting, 10          |
| 2   | 2   | 670552   | Spring               |
| 3   | 2   | 670551   | Guide                |
| 4   | 2   | 7020     | Ball                 |
| 5   | 2   | 602580   | Fitting, 8           |
| 6   | 2   | 673989   | Spring               |
| 7   | 1   | 670550   | Body                 |
| 8   | 1   | 670553   | Spool                |



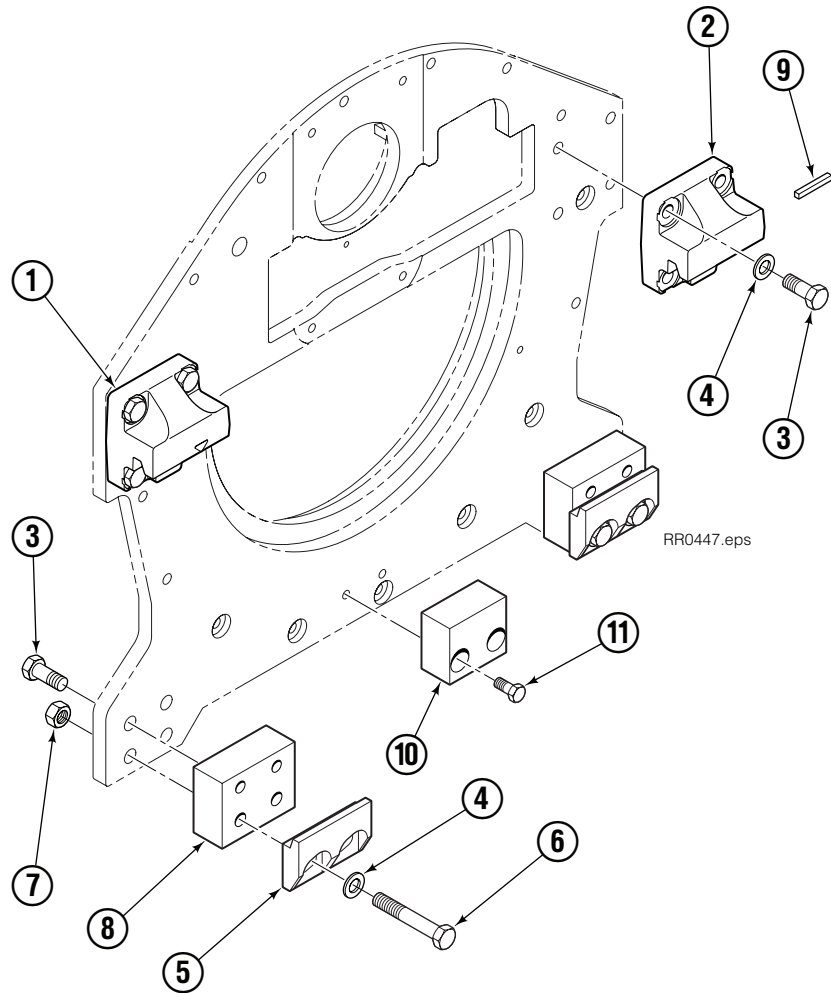
| REF | QTY | PART NO. | DESCRIPTION          |
|-----|-----|----------|----------------------|
|     |     | 6063316  | Check Valve Assembly |
| 1   | 1   | 6063282  | Valve Body           |
| 2   | 2   | 6038929  | Check Valve - PO     |
| 3   | 2   | 667516   | Service Kit          |

# Fork Bar Group



| 55G |     |          |                    |
|-----|-----|----------|--------------------|
| REF | QTY | PART NO. | DESCRIPTION        |
|     |     | 6065934  | Fork Bar Group     |
| 1   | 1   | 6062893  | Upper Bar          |
| 2   | 1   | 6065862  | Lower Bar          |
| 3   | 18  | 769574   | Capscrew, M16 x 35 |
| 4   | 18  | 678992   | Lockwasher, M16    |
| 5   | 2   | 775443   | Capscrew, M16 x 25 |
| 6   | 2   | 689279   | Middle Hook        |

# Bolt-On Mounting Group



| Class II, 0° |     |          |                     |
|--------------|-----|----------|---------------------|
| REF          | QTY | PART NO. | DESCRIPTION         |
|              |     | 6051543  | Mounting Group      |
| 1            | 1   | 670523   | Upper Hook – LH     |
| 2            | 1   | 670524   | Upper Hook – RH     |
| 3            | 12  | 766154   | Capscrew, M16 x 40  |
| 4            | 12  | 217637   | Washer, M16         |
| 5            | 2   | 675968   | Lower Hook          |
| 6            | 4   | 765612   | Capscrew, M16 x 100 |
| 7            | 4   | 781534   | Nut, M16            |
| 8            | 2   | 781400   | Spacer              |
| 9            | 1   | 669344   | Stop Block Kit      |
| 10           | 1   | 680683   | Center Spacer       |
| 11           | 2   | 767810   | Capscrew, M12 x 25  |

# Recommended Spare Parts List

| 55G-RRB-20A R5 Rotator |                             |                      |      |       |
|------------------------|-----------------------------|----------------------|------|-------|
| PART NUMBER            | DESCRIPTION                 | ATTACHMENTS SERVICED |      |       |
|                        |                             | 1-5                  | 6-19 | 20-50 |
|                        | <b>DRIVE GROUP</b>          |                      |      |       |
| 675608                 | Worm                        | 0                    | 1    | 2     |
| 670506                 | Pinion                      | 0                    | 1    | 2     |
| 670581                 | Bearing                     | 0                    | 1    | 1     |
| 7214                   | Snap Ring                   | 2                    | 2    | 4     |
| 643423                 | O-Ring                      | 1                    | 2    | 2     |
| 206406                 | Drive Motor                 | 0                    | 1    | 1     |
| 206405                 | Drive Motor Service Kit     | 1                    | 1    | 2     |
| 668184                 | Sealant                     | 1                    | 2    | 2     |
| —                      | Bearing Service Kit         | 1                    | 1    | 2     |
| —                      | Bearing Service Kit         | 1                    | 2    | 2     |
| 656300                 | Gear Box Lube               | 1                    | 2    | 2     |
|                        | <b>CHECK VALVE</b>          |                      |      |       |
| 670549                 | Check Valve Assembly        | 0                    | 1    | 1     |
| 6063316                | Check Valve Assembly        | 0                    | 1    | 1     |
|                        | <b>STOP KIT</b>             |                      |      |       |
| 669344                 | Stop Kit                    | 1                    | 2    | 2     |
|                        | <b>PAINT</b>                |                      |      |       |
| 668209                 | 12 oz. Aerosol Can - Yellow | 1                    | 1    | 1     |
|                        | <b>PUBLICATIONS</b>         |                      |      |       |
|                        | Parts Manual                | 1                    | 1    | 1     |
| 6073955                | Service Manual              | 1                    | 1    | 1     |
| 672714                 | Operator's Guide            | 1                    | 1    | 1     |
| 6073002                | Installation Instructions   | 1                    | 1    | 1     |
| 679929                 | Tool Catalog                | 1                    | 1    | 1     |

**Do you have questions you need answered right now?** Call your nearest Cascade Parts Department. Visit us online at [www.cascorp.com](http://www.cascorp.com)

**Cascade Corporation  
U.S. Headquarters**  
2201 NE 201st  
Fairview, OR 97024-9718  
Tel: 800-CASCADE (227-2233)  
FAX: 888-329-8207

**Cascade Canada Inc.**  
5570 Timberlea Blvd.  
Mississauga, Ontario  
Canada L4W-4M6  
Tel: 905-629-7777  
FAX: 905-629-7785

**Cascade GmbH**  
Niederwippekühl 1  
58579 Schalksmühle  
Germany  
Tel: 02355-50900  
FAX: 02355-509020

**Cascade Finland**  
A. Petreliuksenkatu 3  
01370 Vantaa  
Finland  
Tel: 09-8361925  
FAX: 09-8361935

**Cascade N.V.  
Benelux Sales and Service**  
Damsluisweg 56  
PO Box 3009  
1300 El Almere  
The Netherlands  
Tel: 036-5492950  
FAX: 036-5492974

**Cascade Kenhar Ltd.**  
3 Kelbrook Road  
Parkhouse Ind. Estate  
Openshaw,  
Manchester M11 2DD  
England  
Tel: 0800-243015  
FAX: 0161-4384055

**Sales Scotland  
Macade Systems Ltd.**  
18 Melford Road  
Righead Ind. Estate  
Bellshill ML4 3LR  
Scotland  
Tel: 01698-845777  
FAX: 01698-845888

**Cascade (Africa) Pty. Ltd.**  
PO Box 625, Isando 1600  
60A Steel Road  
Sparton, Kempton Park  
South Africa  
Tel: 27-11-975-9240  
FAX: 27-11-394-1147

**Cascade Scandinavia AB**  
Hammarvägen 10  
PO Box 124  
S-56723 Vaggeryd  
Sweden  
Tel: 039-336950  
FAX: 039-336959

**Cascade France  
S.A.R.L. MHP**  
1D Rue De Charaintru BP 18,  
91360 Epinay-Sur-Orge  
France  
Tel: 01-6454-7500  
FAX: 01-6454-7501

**Cascade Hispania S.A.**  
Carrer 5, Sector C  
Zona Franca Duanera  
Poligono de la Zona Franca  
08040 Barcelona, Spain  
Tel: 93-264-07-30  
FAX: 93-264-07-31

**Cascade Italia S.R.L.**  
Via Dell'Artigianato 1  
37050 Vago di Lavagno (VR)  
Italy  
Tel: 39-045-8989111  
FAX: 39-045-8989160

**Movimenta Lda.**  
Parque Industrial  
Vale do Alecrim, Lote 108  
2950-403 Palmela  
Portugal  
Tel: 351-212387340  
FAX: 351-212387349

**Sales Switzerland  
Fahrzeugbedarf**  
8810, Horgen  
Switzerland  
Tel: 01-7279797  
FAX: 01-7279798

**Sales Poland**  
Targowa 35/61  
03-728 Warszawa  
Tel: 022-619 00 49  
FAX: 022-619 00 49  
Mobile Tel: 0501-27 29 55

**Sales Russia**  
EMCG Material Handling  
Equipment  
Moscow  
Tel: 095-795-2400  
FAX: 095-795-2475  
Email: [emcg@emcg.ru](mailto:emcg@emcg.ru)

**Cascade Japan Ltd.**  
5-5-41,  
Torikai Kami  
Settsu, Osaka  
Japan, 566  
Tel: 81-726-53-3490  
FAX: 81-726-53-3497

**Cascade Korea**  
121B 9L Namdong Ind.  
Complex, 691-8 Gojan-Dong  
Namdong-Ku  
Inchon, 405-310 Korea  
Tel: 82-32-821-2051  
FAX: 82-32-821-2055

**Cascade Australia**  
1445 Ipswich Road  
Rocklea, QLD 4107  
Australia  
Tel: 1-800-227-223  
FAX: 617-3373-7333

**Cascade New Zealand**  
15 Ra Ora Drive  
East Tamaki, Auckland  
New Zealand  
Tel: 64-9-273-9136  
FAX: 64-9-273-9137

**Cascade-Xiamen**  
No. 668 Yangguang Rd.  
Xinyang Industrial Zone  
Haicang, Xiamen City  
Fujian Province  
P.R. China 361026  
Tel: 86-592-651-2500  
FAX: 86-592-651-2571

**Sunstream Industries  
Pte Ltd.**  
No. 3 Tuas Link 1  
2263  
Singapore  
Tel: 65-6863-3488  
FAX: 65-6863-1368

**Cascade do Brasil  
Distribuidora de Garras  
e Garfos LTDA**  
Rua João Guerra, 134  
Macuco, Santos - SP  
Brasil 11015-130  
Tel: 55-13-2105-8800  
Fax: 55-13-2105-8899

