



Technical Bulletin

Number 138

March 1984

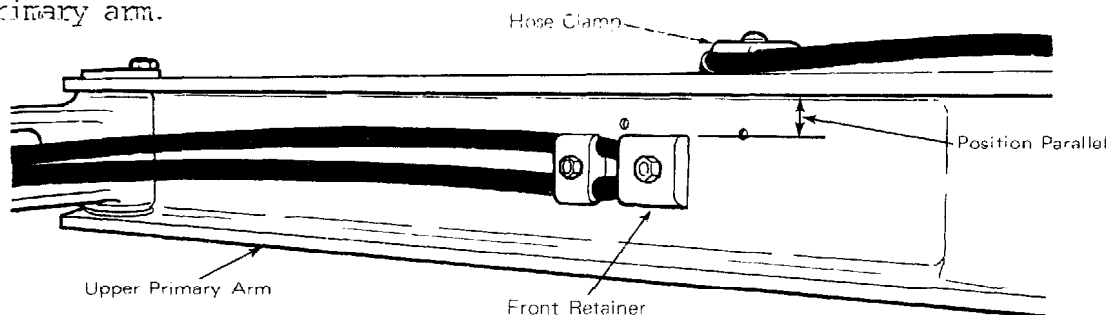
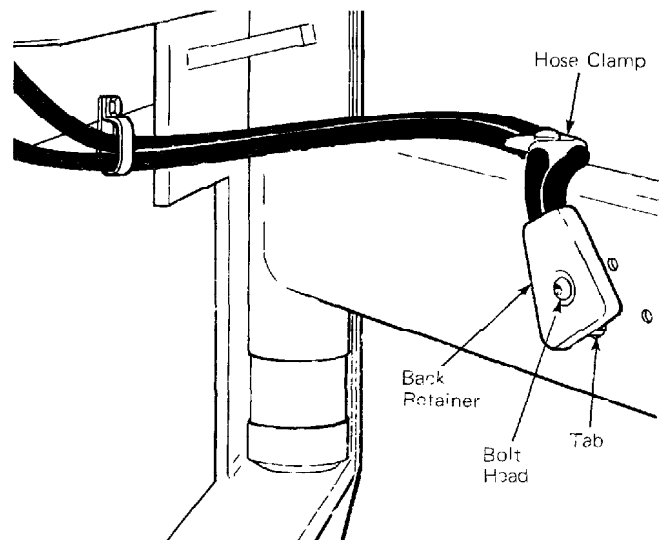
30C/45C Load Push/Pull Hose Retainer Kit 674442 Installation Instructions

MODELS: 30C/45C Load Push/Pulls, serial numbers 673290 through 674007.

PROBLEM: The gripper cylinder hoses are rubbing on the truck carriage when the faceplate is fully retracted.

SOLUTION: Install Hose Retainer Kit 674442. The kit reduces the bend radius of the hoses where they pass through the upper primary arm.

- 1 Fully extend the faceplate.
- 2 Remove the hose clamp from the top of the upper primary arm.
- 3 Install the retainers as follows:
 - The bolt and tube must go between the hoses.
 - The bolt head must be on the back side of the primary arm.
 - The tab on the back retainer must be positioned against the lower corner of the primary arm cutout.
 - The front retainer must be positioned parallel with the primary arm flange.
- 4 Reinstall the hose clamp to the top of the upper primary arm.



Part Number 674441

**cascade[®]
corporation**

P.O. Box 20187 • Portland, Oregon 97220 • (503) 666-1511
P.O. Box 360 • Springfield, Ohio 45505 • (513) 325-9271

Do you have questions
you need answered
right now?

Dial Directline
800-227-2233
(toll free)