



# Parts Manual

---

Model 80D Rotator

Serial Number 80D-RRB-135

---

**cascade**<sup>®</sup>  
**corporation**

**For Technical Assistance call:** 800-227-2233, Fax: 888-329-8207

**To Order Parts call:** 888-227-2233, Fax: 888-329-0234

**OR**

**Write:** Cascade Corporation, P.O. Box 20187, Portland, OR 97220

**Internet:** [www.cascorp.com](http://www.cascorp.com)

# Safety Decals



REF	QTY	PART NO.	DESCRIPTION
1	1	679150	No Step Decal

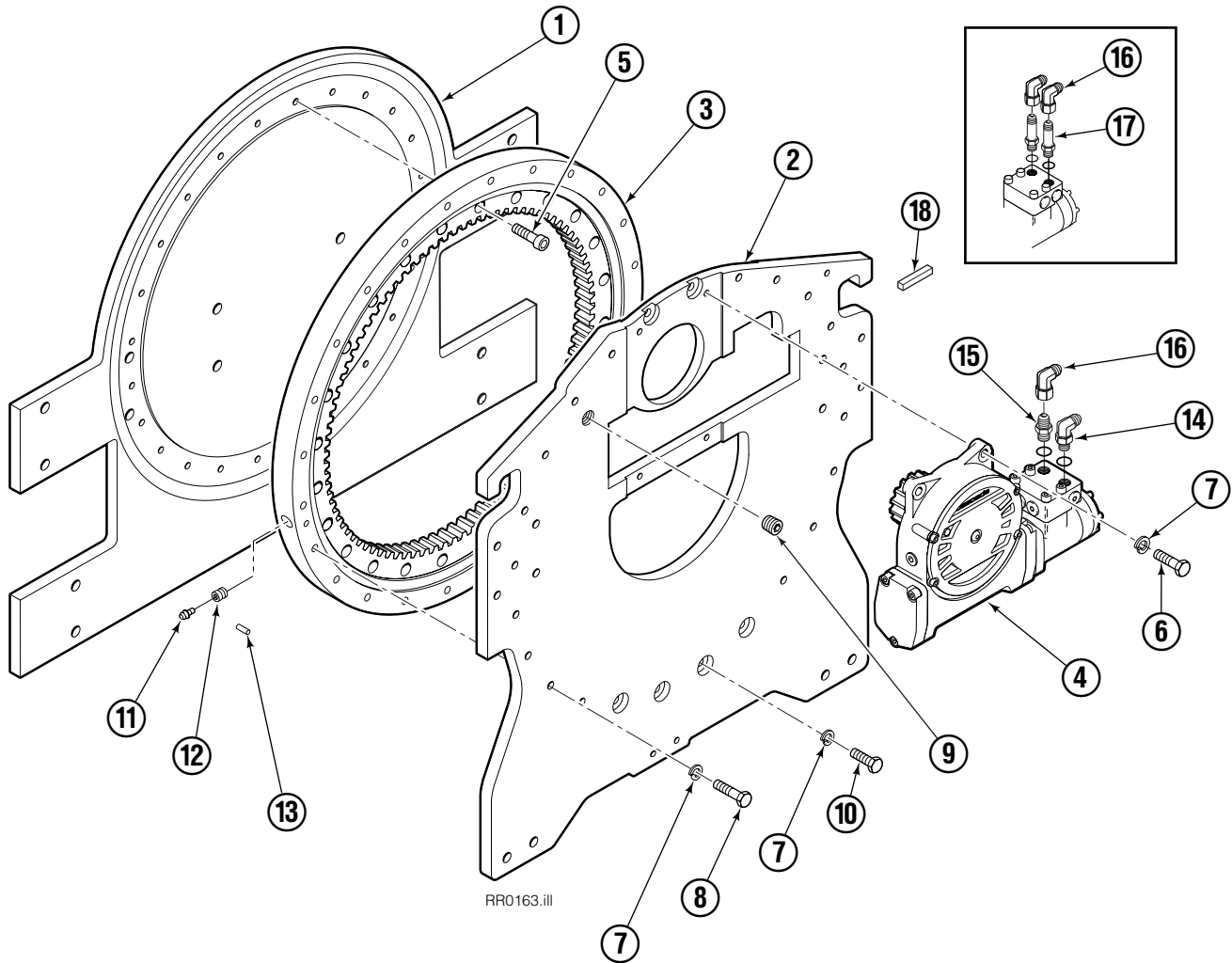
# Publications



GA0006.eps

PART NO.	DESCRIPTION
672946	Service Manual
672714	Operators Guide
668987	Installation Instructions
679929	Tool Catalog
673964	Literature Index Order Form

# Rotator Group

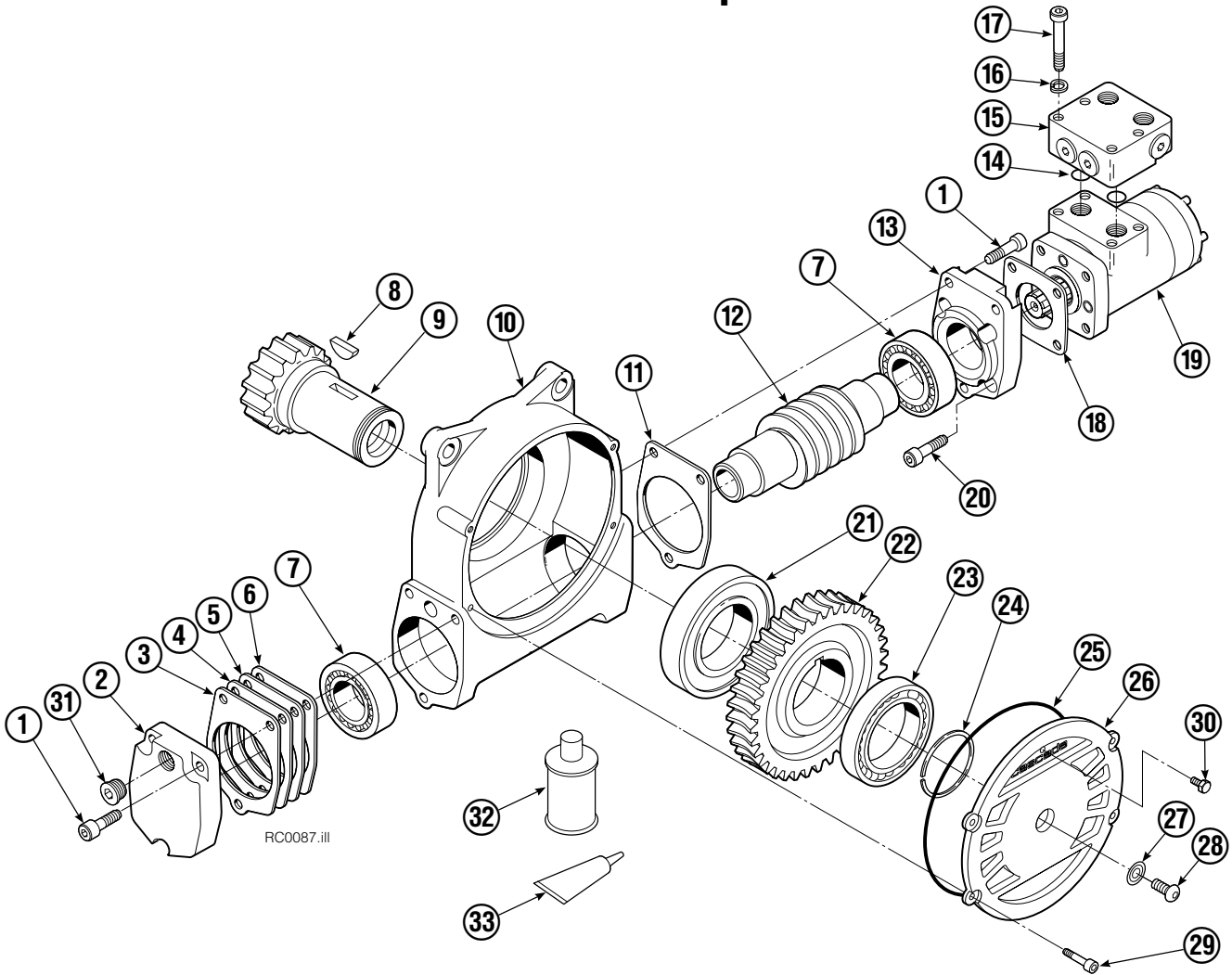


RR0163.ill

80D							
REF	QTY	PART NO.	DESCRIPTION	REF	QTY	PART NO.	DESCRIPTION
		6003188	Rotator Group	11	1	7401	Grease Fitting
1	1	6002414	Faceplate	12	1	204167	Plug
2	1	6001818	Baseplate	13	1	670681	Drive Pin
3	1	213983	Bearing Assembly	14	1	605761	Fitting, 8-8 SAE
4	1	212308	Drive Group – 2.2 c.i. Motor ●	15	1	601250	Fitting, 8-8 SAE
5	24	213902	Capscrew, M12 x 45	16	1	601377	Fitting, 8-8 SAE
6	4	211689	Capscrew, M12 x 30		2	765492	Fitting, 8 SAE – M10 L-Series
7	28	683822	Lockwasher, M12	17	2	765493	Fitting, 8 SAE – M12 L-Series
8	18	213900	Capscrew, M12 x 60		2	756920	Fitting, 8 SAE – M12 S-Series
9	1	6605	Fitting, 3/4 in.	18	1	669344	Stop Block Kit
10	6	209684	Capscrew, M12 x 50				

● See Drive Group page for parts breakdown.  
 Reference: Rotator Baseplate Group 6001867.  
 Fitting Groups 212367, 212505, 212506, 212507.

# Drive Group



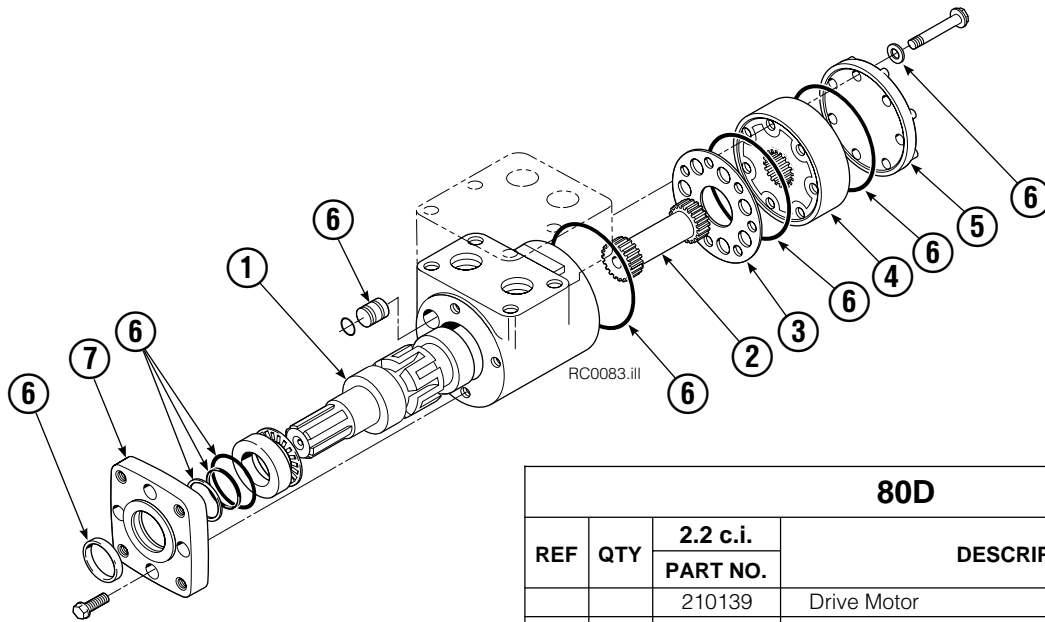
80D							
REF	QTY	PART NO.	DESCRIPTION	REF	QTY	PART NO.	DESCRIPTION
		212308	Drive Group with 2.2 c.i. Motor	19	1	210139	Drive Motor – 2.2 c.i. ▲
1	6	768826	Capscrew, M12 x 25	20	4	4468	Capscrew, 3/8 NC x .75 GR8
2	1	795258	Cover	21	1	670580	Bearing
3	●	674513	Shim – .005" (blue)	22	1	675609	Worm Gear
4	●	670574	Shim – .010" (brown)	23	1	670581	Bearing
5	●	671757	Shim – .015" (pink)	24	1	7214	Snap Ring
6	●	671758	Shim – .020" (yellow)	25	1	204970	Gasket
7	2	670579	Bearing	26	1	775552	Cover
8	1	670582	Key	27	1	783609	Seal
9	1	670506	Pinion	28	1	783608	Capscrew, M12 x 16
10	1	775551	Housing	29	4	775639	Capscrew, M8 x 20
11	1	686465	Gasket	30	1	644010	Relief Fitting
12	1	675608	Worm	31	1	602580	Fitting, 8
13	1	775553	Adapter	32	1	656300	Gear Box Lube – 48 oz.
14	2	2705	O-Ring	33	1	668184	Sealant
15	1	670549	Check Valve ▼			670578	Shim Service Kit (items 3-6,11,25,33)
16	4	6444	Lockwasher			675637	Bearing Service Kit (items 21 & 33)
17	4	607059	Capscrew, 5/16 NC x 1.75 GR8			675638	Bearing Service Kit (items 3-7,11,25)
18	1	670575	Gasket			212919	Motor Kit-2.2 (items 11,14,18,19,20,33)

● Quantity as required.

▲ See Drive Motor page for parts breakdown.

▼ See Check Valve page for parts breakdown.

# Drive Motor

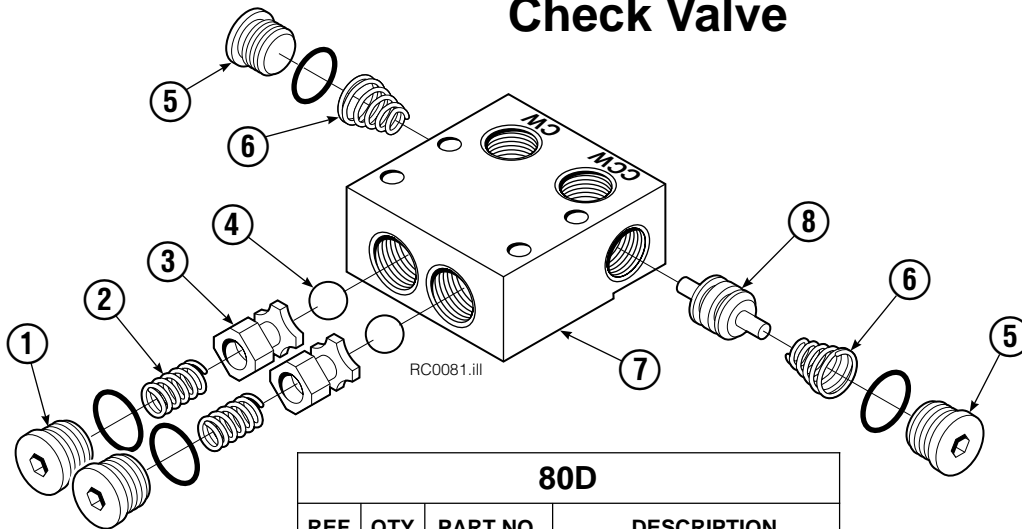


80D			
REF	QTY	2.2 c.i. PART NO.	DESCRIPTION
		210139	Drive Motor
1	1	675478	Shaft
2	1	675477	Drive Link
3	1	211528	Spacer Plate
4	1	210137	Geroler/Gerotor Set
5	1	211527	End Cap
6	1	206405	Service Kit ●
7	1	685090	Flange

Cascade provides service replacement parts for the listed parts only. Due to cost, if others parts need replacement, the complete Drive Motor should be replaced.

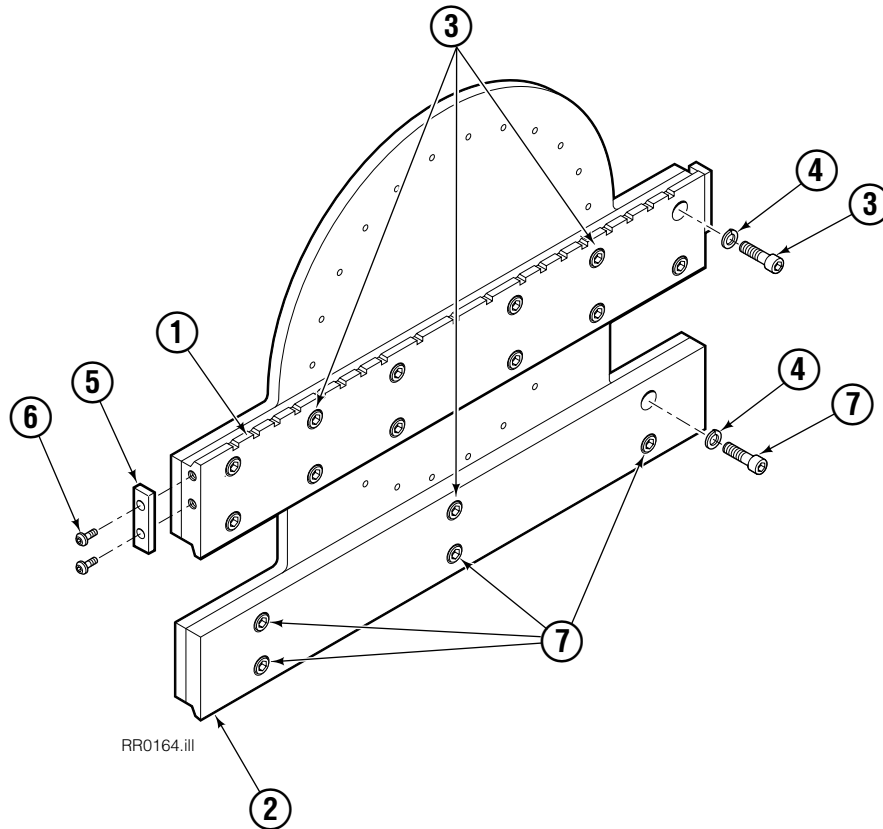
● Compatible with water glycol based hydraulic fluids.

# Check Valve



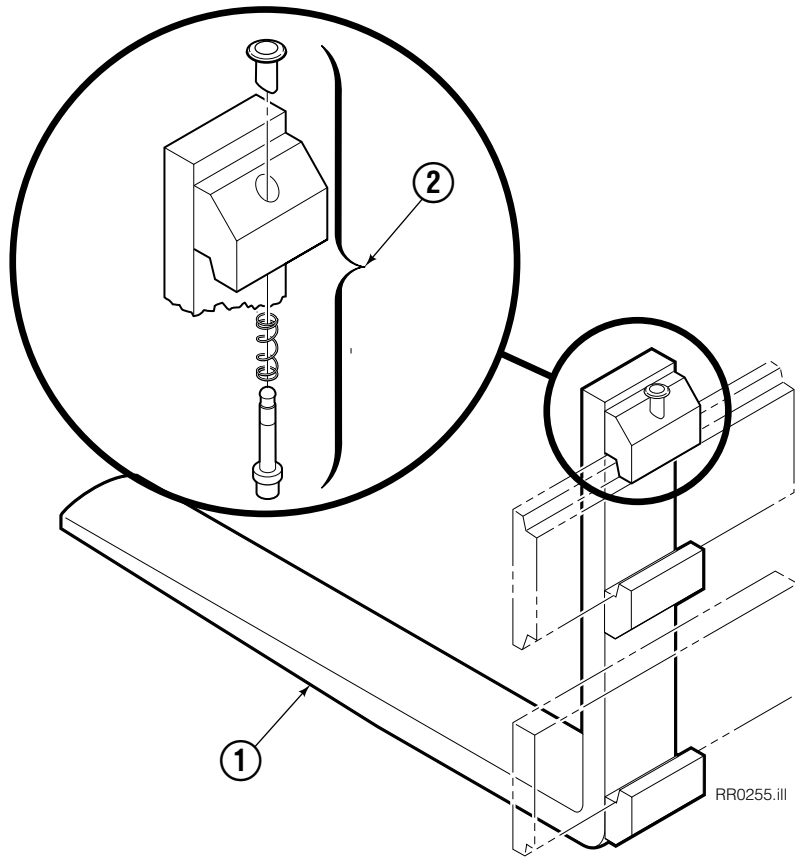
80D			
REF	QTY	PART NO.	DESCRIPTION
		670549	Check Valve Assembly
1	2	609453	Fitting, 10
2	2	670552	Spring
3	2	670551	Guide
4	2	7020	Ball
5	2	602580	Fitting, 8
6	2	673989	Spring
7	1	670550	Body
8	1	670553	Spool

# Fork Bar Group



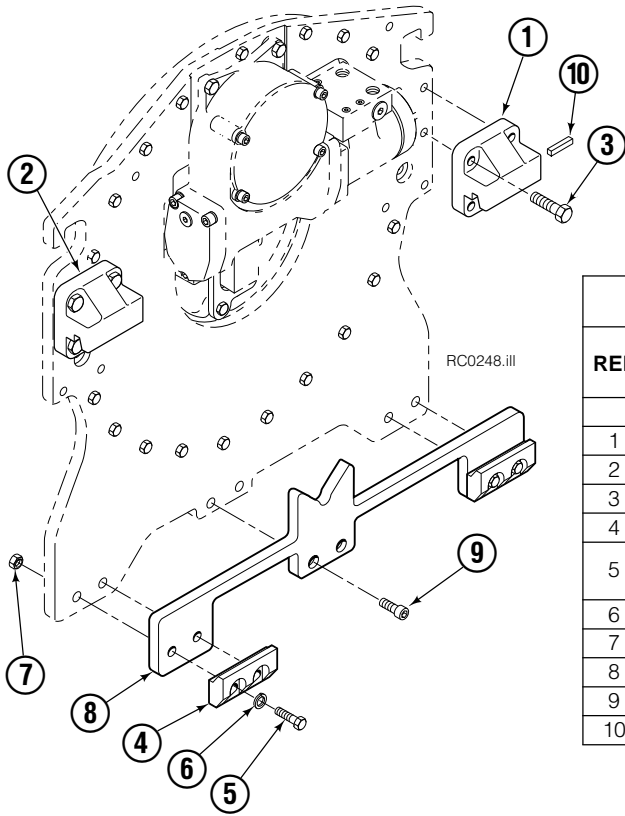
80D					
REF	QTY	42 in. PART NO.	48 in. PART NO.	60 in. PART NO.	DESCRIPTION
		6003185	<b>6003186</b>	6003187	Fork Bar Group
1	1	625525	677211	625527	Upper Bar
2	1	625526	677212	625528	Lower Bar
3	13	769579	769579	769579	Capscrew, M20 x 40
4	18	779506	779506	779506	Lockwasher, M20
5	2	606988	606988	606988	Keeper
6	4	4880	4880	4880	Capscrew, 1/2 NC x 1.0 GR8
7	5	775559	775559	775559	Capscrew, M20 x 30

# Forks



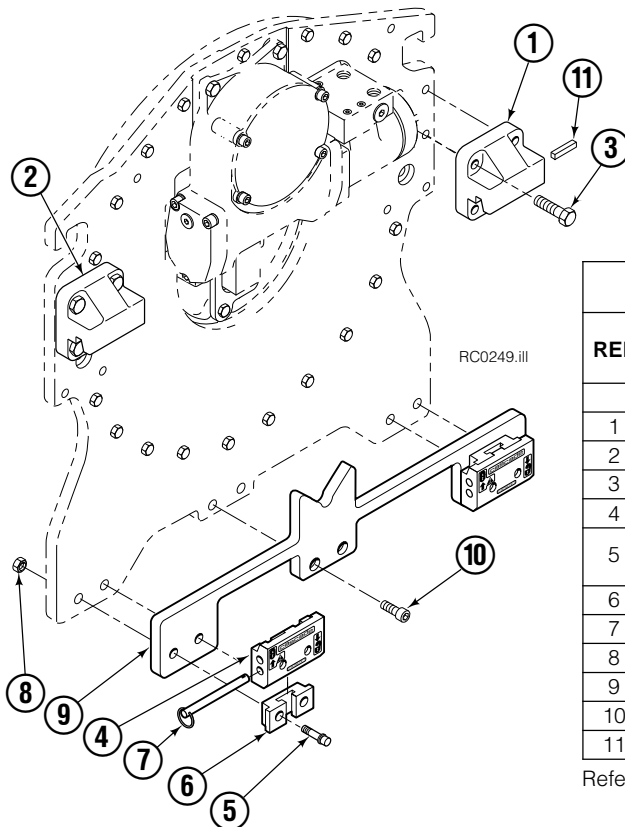
REF	QTY	PART NO.	DESCRIPTION
1	2	229818	Forks
2	2	K3PKR	Handle Kit

# Mounting Groups – 0°



## 80D Bolt-On Mounting

REF	QTY	ITA II	ITA III	DESCRIPTION
		PART NO.	PART NO.	
		209929	209927	Mounting Group
1	1	209934	209932	Upper Hook - R.H.
2	1	209935	209933	Upper Hook - L.H.
3	4	779010	779010	Cap screw, M16x2x35-8.8
4	2	675968	675969	Lower Hook
5	4	765612	—	Cap screw, M16x2x100-8.8
	4	—	210005	Cap screw, M16x2x90-8.8
6	4	667225	667225	Lockwasher, .625 in. I.D.
7	4	781534	781534	Nut, M16x2
8	1	209939	209937	Spacer
9	2	682918	682918	Cap screw, M12x1,75x45-8.8
10	1	669344	669344	Stop Kit

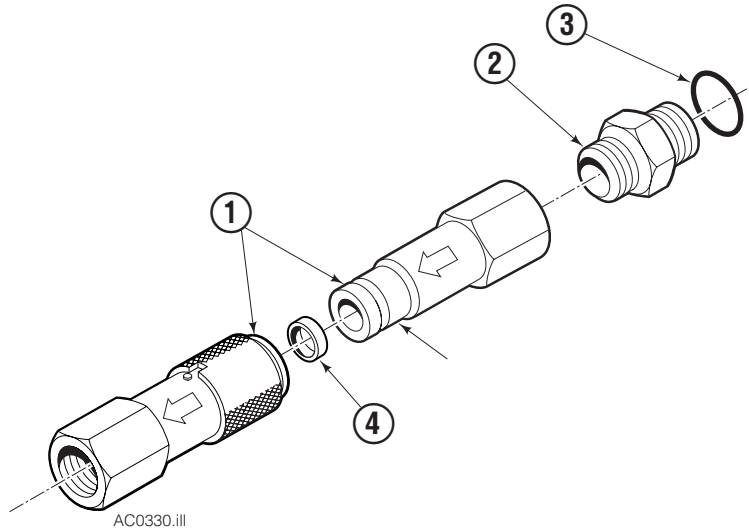


## 80D Quick-Change Mounting

REF	QTY	ITA II	ITA III	DESCRIPTION
		PART NO.	PART NO.	
		210009	<b>210007</b>	Mounting Group
1	1	209934	209932	Upper Hook - R.H.
2	1	209935	209933	Upper Hook - L.H.
3	4	779010	779010	Cap screw, M16x2x35-8.8
4	2	675514	675957	Lower Hook
5	4	212151	—	Cap screw, M16x2x90-8.8
	4	—	794978	Cap screw, M16x2x90-8.8
6	2	675515	675958	Guide
7	2	678832	678832	Pin
8	4	781534	781534	Nut, M16x2
9	1	209939	209937	Spacer
10	2	682918	682918	Cap screw, M12x1,75x45-8.8
11	1	669344	669344	Stop Kit

Reference: S-4186

# Quick Disconnect Coupling Kit



REF	QTY	PART NO.	DESCRIPTION
		671045	Q.D. Coupling Kit
1	2	671243	Q.D. Coupling, 8-8
2	2	601377	Fitting, 8-8
	2	611288	Fitting, 8-6
3	2	2841	O-Ring ■
4	1	689171	Nose Piece Seal Service Kit

■ Use with fitting 601377 only.

**Do you have questions you need answered right now?** Call your nearest Cascade Parts Department. Visit us online at [www.cascorp.com](http://www.cascorp.com)

**Cascade Corporation**  
2501 Sheridan Avenue  
Springfield, OH 45505  
Tel: 888-CASCADE (227-2233)  
FAX: 888-329-0234

**Cascade Canada Inc.**  
5570 Timberlea Blvd.  
Mississauga, Ontario  
Canada L4W-4M6  
Tel: 905-629-7777  
FAX: 905-629-7785

**Cascade GmbH**  
D-41199 Monchengladbach  
Klosterhofweg 52  
Germany  
Tel: 49-216-668230  
FAX: 49-216-6682323

**Cascade Finland**  
Albert Petreliuksenkatu 3  
01370 Vantaa  
Finland  
Tel: 358-9-836-1925  
FAX: 358-9-836-1935

**Cascade N.V.  
European Headquarters**  
P.O. Box 3009  
1300 El Almere  
Damsluisweg 56  
1332 ED Almere  
The Netherlands  
Tel: 31-36-5492911  
FAX: 31-36-5492964

**Cascade N.V.  
Benelux Sales and Service**  
P.O. Box 3009  
1300 El Almere  
Damsluisweg 56  
1332 ED Almere  
The Netherlands  
Tel: 31-36-5492950  
FAX: 31-36-5492974

**Cascade (UK) Ltd.**  
15, Orgreave Crescent  
Dore House Industrial Estate  
Handsworth  
Sheffield S13 9NQ  
England  
Tel: 742-697524  
FAX: 742-695121

**Cascade Scandinavia AB**  
Box 124  
Hammarvägen 10  
567 23 Vaggeryd  
Sweden  
Tel: 42-0-393-36950  
FAX: 46-0-393-36959

**Cascade Norway**  
Østerliveien 37A  
1153 Oslo  
Norway  
Tel: 47-22-743160  
FAX: 47-22-743157

**Cascade France S.A.R.L.**  
1D Rue De Charaintru  
BP 18, 91360 Epinay-Sur-Orge  
Morangis Cedex, France  
Tel: 33-1- 64547500  
FAX: 33-1-64547501

**Cascade Hispania S.A.**  
Carrer 5 Sector C  
Zona Franca Duanera  
Poligono de la Zon Franca  
08040 Barcelona, Spain  
Office No. 256  
Tel: 93-264-07-30  
FAX: 93-264-07-31

**Cascade Japan Ltd.**  
5-5-41,  
Torikai Kami  
Settsu, Osaka  
Japan, 566  
Tel: 81-726-53-3490  
FAX: 81-726-53-3497

**Cascade Korea**  
108B, Namdong Ind Complex  
658-3 Gojan-Dong  
Namdong-Gu  
Inchon, 405-310 Korea  
Tel: 82-32-821-2051  
FAX: 82-32-821-2055

**Cascade Australia**  
1445 Ipswich Road  
Rocklea, QLD 4106  
Australia  
Tel: 1-800227-223  
FAX: (07) 3373-7333

**Cascade New Zealand**  
15 Ra Ora Drive  
East Tamaki, Auckland  
New Zealand  
Tel: 9-273-9136  
FAX: 9-273-9137

**Cascade (Africa) Pty. Ltd.**  
P.O. Box 625, Isando 1600  
60A Steel Road  
Sparton, Kempton Park  
South Africa  
Tel: 27-11-975-9240  
FAX: 27-11-394-1147

**Cascade-Xiamen**  
No. 668 Yangguang Rd.  
Xinyang Industrial Zone  
Haicang, Xiamen City  
Fujian Province  
P.R. China 361026  
Tel: 86-592-651-2500  
FAX: 86-592-651-2571

**Cascade (Singapore)  
Trading Co.**  
Four Seasons Park  
Autumn Block - Apt. 1802  
12 Cuscaden Walk  
Singapore  
Tel: 65-834-1935  
FAX: 65-834-1936

