



Number 143

April 1984

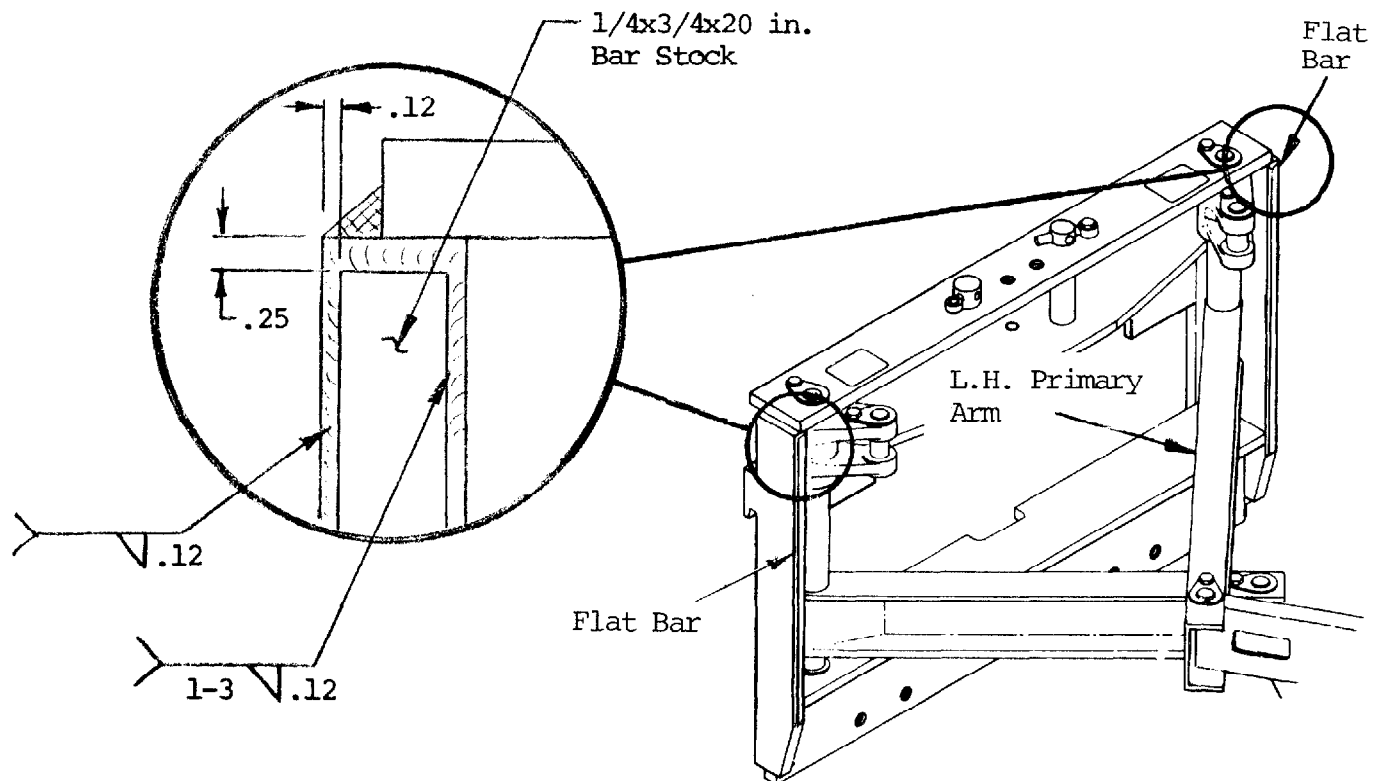
Technical Bulletin

Load Push/Pull Sideshift Cylinder Bracket Interference

MODELS: 30C and 45C Load Push/Pulls

PROBLEM: On sideshifting models, when the faceplate is fully retracted, the L.H. primary arm may interfere with the sideshift cylinder anchor bracket.

SOLUTION: Weld two pieces of 1/4x3/4x20 in. mild steel flat bar to the frame face at the locations shown below. The faceplate on retraction will then bottom on the flat bars and leave sufficient clearance between the sideshift cylinder bracket and the L.H. primary arm.



NOTE: This is only a potential problem on certain models and is not an authorization for warranty repair. For additional information, call a Cascade Service representative at 1-800-CASCADE.

Part No. 674536

cascade[®] corporation

For Technical Assistance . . .

Call: 1-800-CASCADE or 503-666-1518

OR

Write: Cascade Corporation, P.O. Box 20187, Portland, OR 97220

To Order Parts . . .

Call: 513-322-1199

OR

Write: Cascade Corporation, P.O. Box 360 Springfield, OH 45505