



# Parts Manual

---

Model Single-Double Pallet Handler

Serial Number 55E-FD-656

---

**cascade**<sup>®</sup>

For Technical Assistance call: 800-227-2233, Fax: 888-329-8207

To Order Parts call: 888-227-2233, Fax: 888-329-0234

OR

Write: Cascade Corporation, P.O. Box 20187, Portland, OR 97220

# Decals



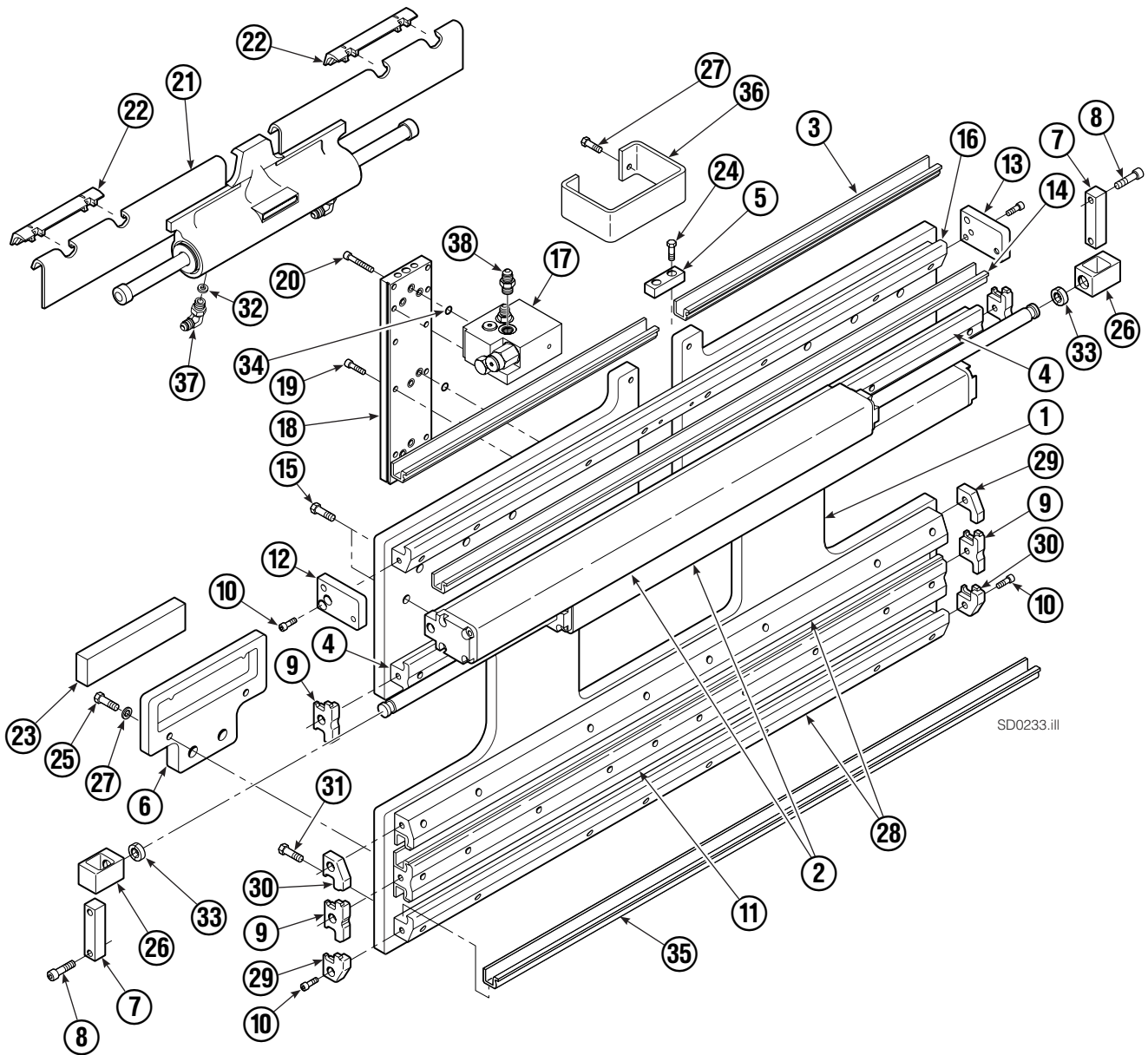
55E			
REF	QTY	PART NO.	DESCRIPTION
1	6	665595	No Hand Hold Decal
2	4	679150	No Step Decal

# Publications



55E	
PART NO.	DESCRIPTION
	Parts Manual
213580	Operator's Guide
213372	Installation Instructions
679929	Tool Catalog
673964	Literature Index Order Form

# Base Unit Group – ITA Class III



# Base Unit Group – ITA Class III

55E			
REF	QTY	PART NO.	DESCRIPTION
		3006341	Base Unit Group – Class III
1	1	3006343	Baseplate
2	2	394856	Frame Cylinder ★
3	2	4730-0413	Bearing Segment
4	2	214628	T-Bar – Upper
5	1	212722	Fork Stop

REF	QTY	PART NO.	DESCRIPTION	REF	QTY	PART NO.	DESCRIPTION
6	2	215226	Hanger	23	2	208350	Lower Bearing
7	2	210489	Rod End Anchor ■	24	2	684649	Capscrew, M10 x 25
8	4	768303	Capscrew, M10 x 35 ■	25	6	767615	Capscrew, M10 x 25
9	4	210140	Bearing Retainer	26	2	209741	Rod End ■
10	12	787375	Capscrew, M8 x 20 GR 8.8	27	4	787383	Lockwasher, M10
11	1	394857	T-Bar – Lower	28	2	394858	T-Bar – Lower
12	1	220009	Retainer/Stop – RH	29	2	212585	Bearing Retainer
13	1	220008	Retainer/Stop – LH	30	2	212586	Bearing Retainer
14	4	4730-1040	Bearing Segment	31	24	214487	Capscrew, M12 x 40
15	20	211689	Capscrew, M12 x 30 GR 10.9	32	1	205369	Washer
16	1	394859	T-Bar – Upper	33	4	210490	Retainer Half Ring ■
17	1	216838	Valve Assembly ▲	34	7	214053	O-Ring
18	1	211456	Manifold	35	4	4730-0885	Bearing Segment
19	6	768208	Capscrew, M8 x 25	36	1	212741	Valve Guard
20	2	768800	Capscrew, M8 x 60	37	2	601676	Fitting, 6-6 ◆
21	1	3001381	Sideshift Cylinder ●	38	2	604511	Fitting, 6-6 ◆
22	2	672018	Upper Bearing				

★ See Frame Cylinder page for parts breakdown.

▲ See Valve Assembly page for parts breakdown.

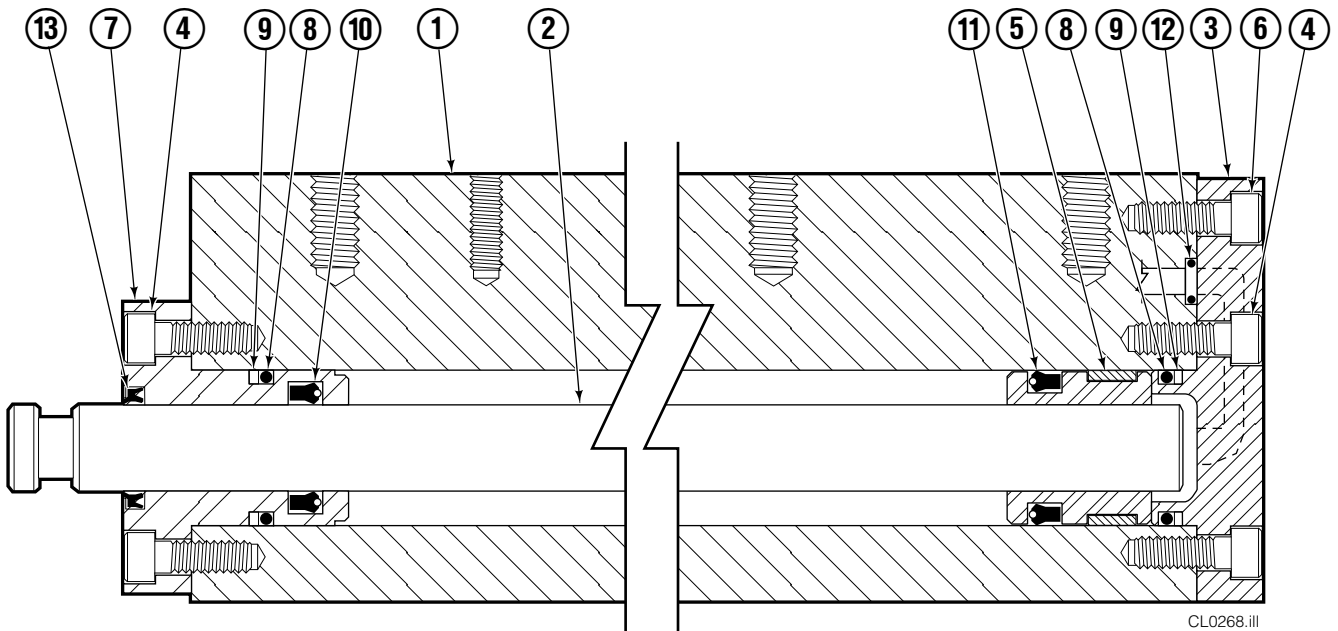
■ Included in Cylinder Rod Anchor Kit 213856.

● See Sideshift Cylinder page for parts breakdown.

◆ Included in Fitting Group 213099.

Reference: SK-6373.

# Cylinder



REF	QTY	PART NO.	DESCRIPTION	REF	QTY	PART NO.	DESCRIPTION
		394856	Cylinder Assembly	8	2	210053	O-Ring ▲
1	1	394855	Cylinder/Shell	9	2	210050	Back-Up Ring ▲
2	1	4157-727	Rod	10	1	212477	Seal ▲
3	1	213783	Cap	11	1	209808	Seal ▲
4	8	768208	Capscrew, M8 x 25	12	2	214053	O-Ring ▲
5	1	209809	Bearing ▲	13	1	562131	Wiper ▲
6	1	787375	Capscrew, M8 x 20			210090	Service Kit
7	1	212452	Retainer				

▲ Included in Service Kit 210090.

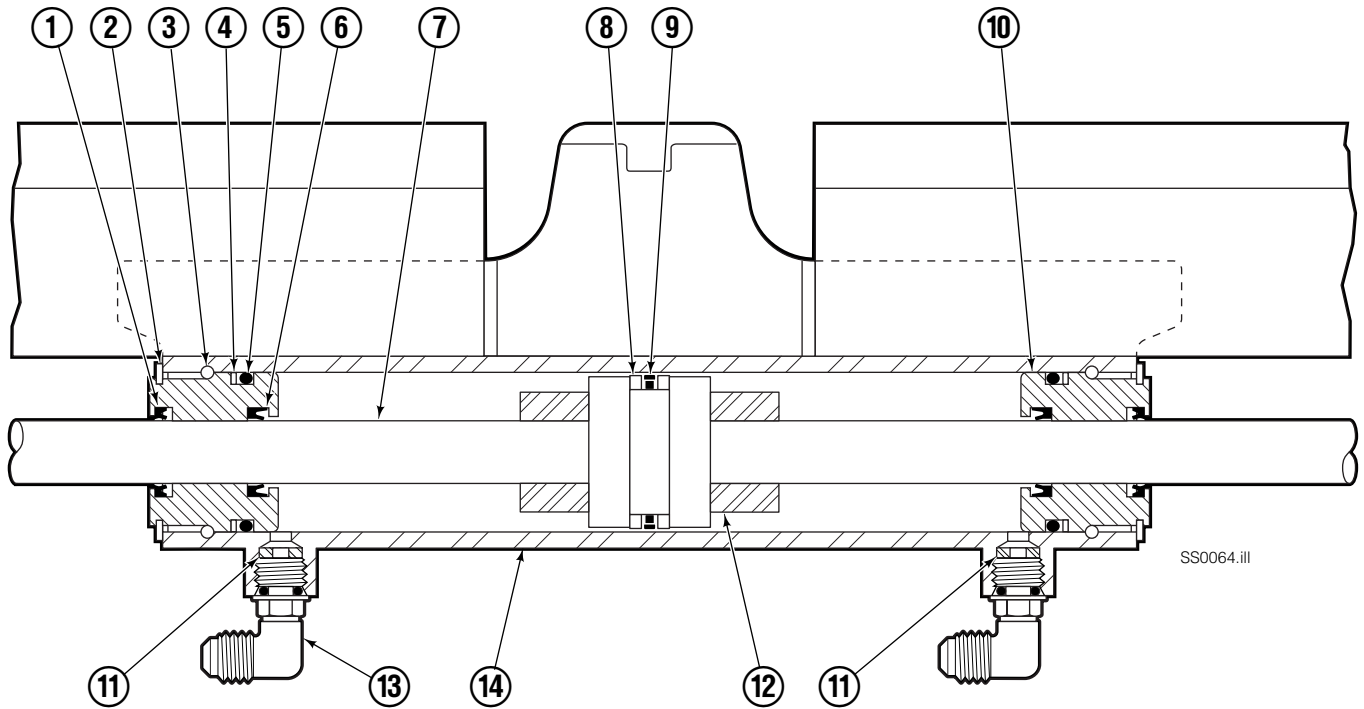
Reference: S-4644, S-4643.

# Valve ITA Class III



55E			
REF	QTY	PART NO.	DESCRIPTION
		216838	Valve Assembly
1	1	219039	Check Valve
2	1	—	Service Kit
3	1	609234	Plug
4	1	216839	Valve Body
5	1	213535	Crossover Relief Valve
6	1	682170	Service Kit
7	1	219040	Flow Divider/Combiner
8	1	—	Service Kit

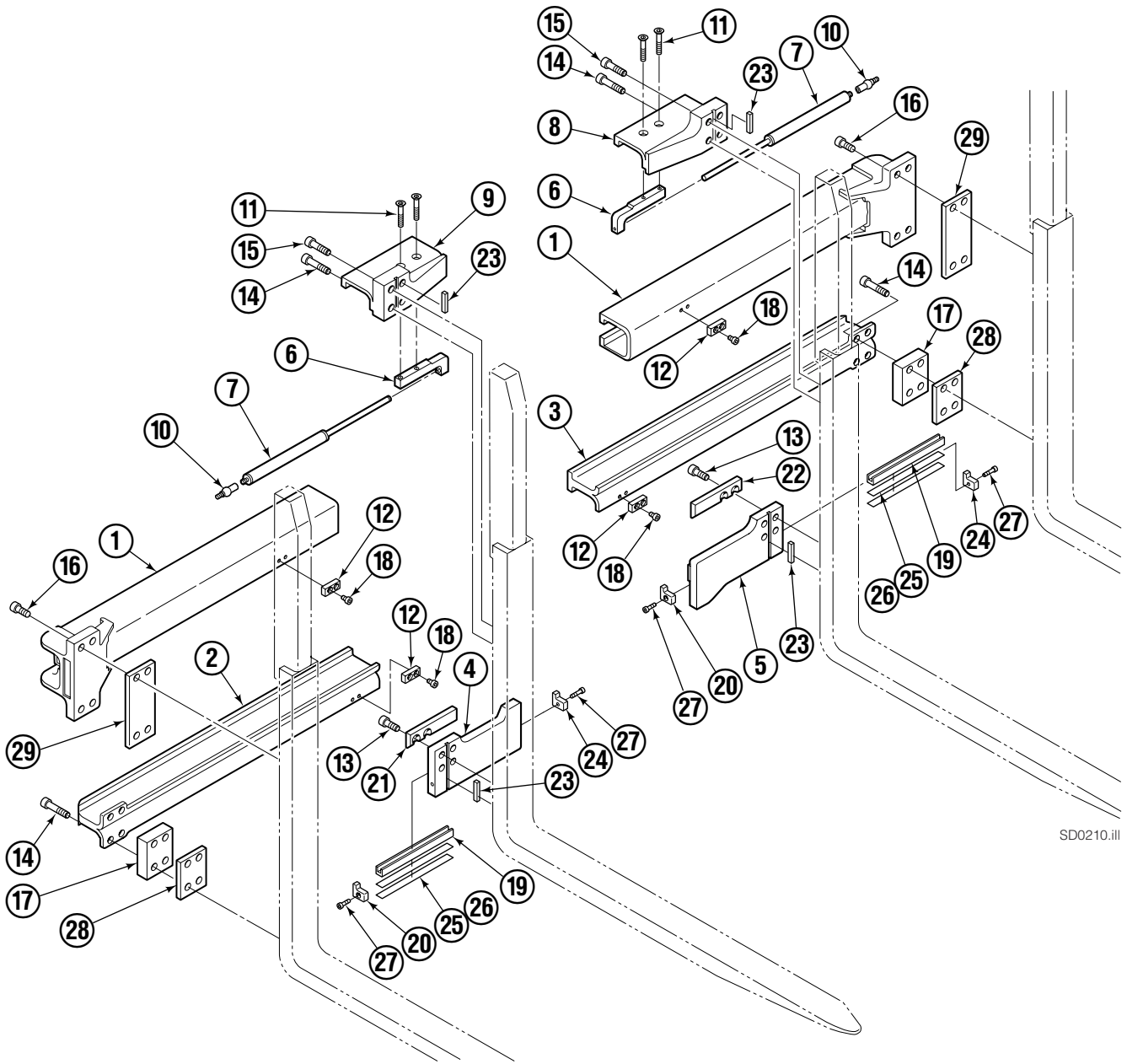
# Sideshift Cylinder ITA Class III



55E			
REF	QTY	PART NO.	DESCRIPTION
		3001381	Cylinder Assembly
● 1	2	562131	Wiper Seal
2	2	562951	Snap Ring
3	2	562942	Retaining Ring
● 4	2	563388	Back-Up Ring
● 5	2	562127	O-Ring
● 6	2	562132	Rod Seal
7	1	562055	Rod
● 8	2	563278	Bearing Ring
● 9	1	564141	Piston Seal
10	2	562792	Retainer
11	2	205369	Speed Control Washer
12	2	-	Spacer
13	2	601676	Fitting, JIC 6-6
13	2	666984	Fitting, JIC 6-4
14	-	■	Cylinder Shell
		563487	Service Kit

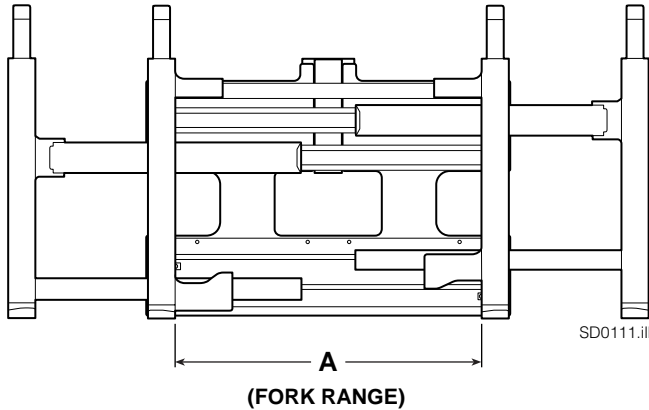
- Included in Service Kit 563487.
- Not serviceable, order new cylinder assembly.

# Arm Group



SD0210.iii

# Arm Group



**NOTE:** Position the inner forks to maximum width and measure **A** to determine maximum inner fork inside to inside (ITI) range.

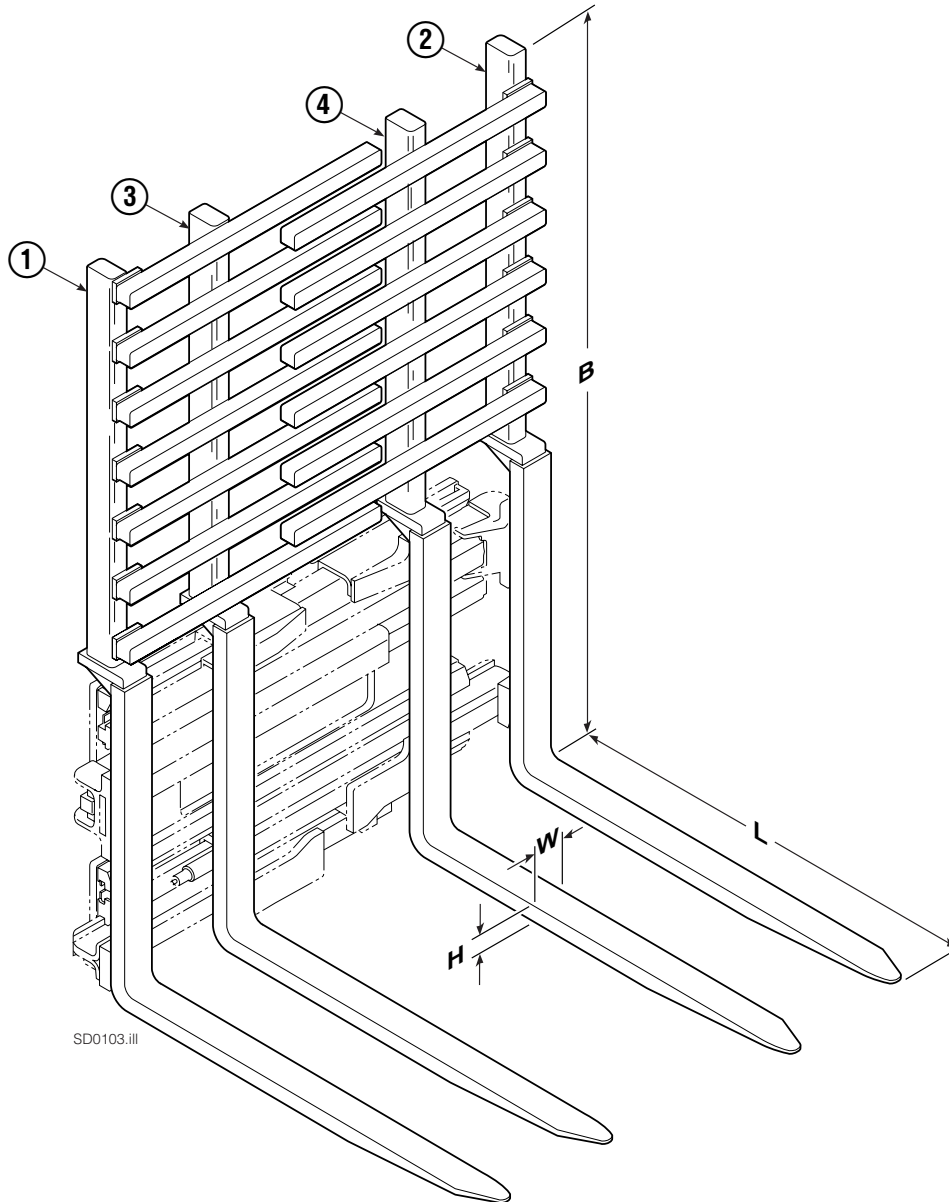
55E			
REF	QTY	PART NO.	DESCRIPTION
		3006342	Arm Group
1	2	3006344	Upper Arm Bar
2	1	3002980	Lower Arm Bar – RH
3	1	3002962	Lower Arm Bar – LH
4	1	220135	Lower Hook – RH
5	1	220138	Lower Hook – LH
6	2	10273-0133	Bracket
7	2	219979	Gas Spring

## Common Parts

REF	QTY	PART NO.	DESCRIPTION	REF	QTY	PART NO.	DESCRIPTION
8	1	220096	Upper Hook – LH	19	2	4501-0222	Bearing Segment
9	1	220095	Upper Hook – RH	20	2	212979	Bearing Retainer
10	2	213011	Ball Joint	21	1	212682	Bearing – RH
11	4	766646	Capscrew, M10 x 20	22	1	213899	Bearing – LH
12	4	212687	Fork Stop	23	4	213364	Key
13	8	769574	Capscrew, M16 x 35	24	2	213360	Bearing Retainer
14	12	769578	Capscrew, M16 x 60	25	4	212559	Shim, .04 in. (1 mm)
15	4	769577	Capscrew, M16 x 50	26	4	213913	Shim, .02 in. (.5 mm)
16	8	769573	Capscrew, M16 x 30	27	4	787375	Capscrew, M8 x 20
17	2	210587	Spacer	28	4	797611	Spacer
18	4	214414	Capscrew, M10 x 12	29	4	797610	Spacer

Reference: SK-6373 and 6374. Common Parts Group 220285.

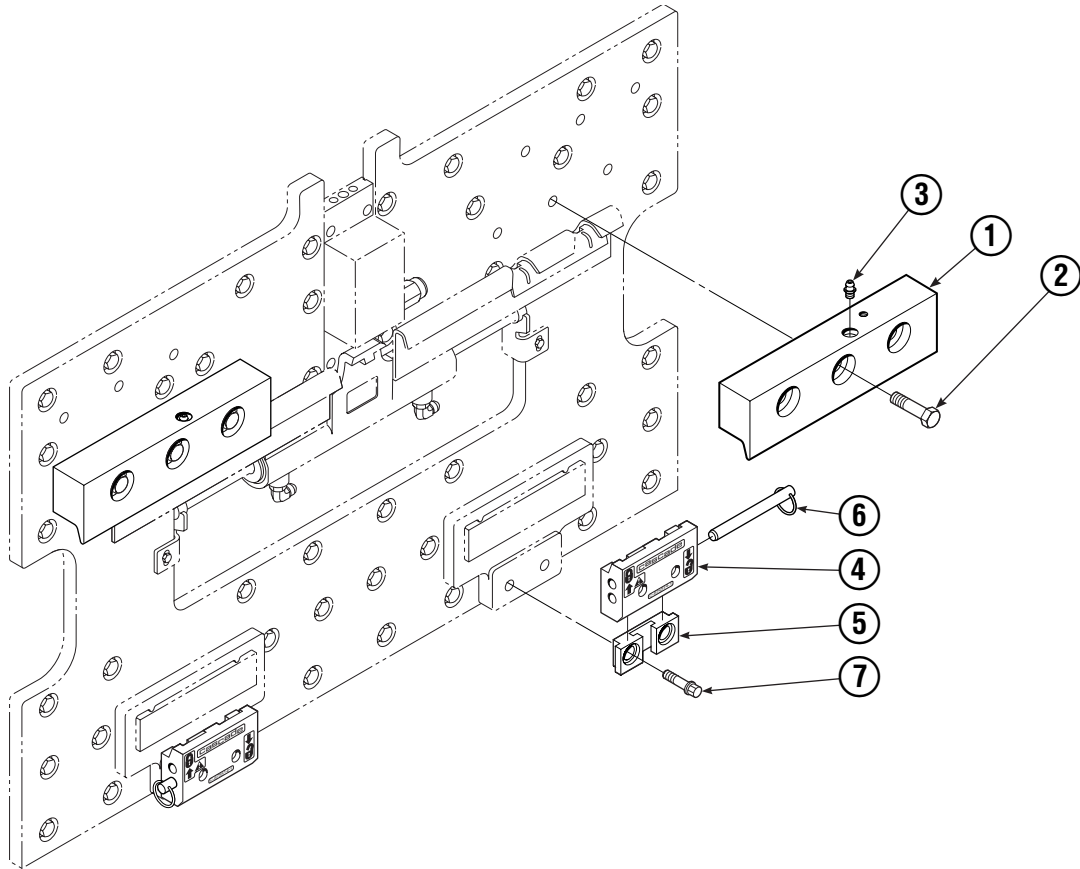
# Interlocking Backrest/Fork Group



SD0103.iii

55E								
SIZE (in.)				FORK GROUP PART NO.	REF ①	REF ②	REF ③	REF ④
B	W	H	L		Outer Fork–RH (Finger Qty)	Outer Fork–LH (Finger Qty)	Inner Fork–RH	Inner Fork–LH
60	3.2	1.8	35.8	212592	213382 (5)	213380 (4)	213430	213428
60	3.2	1.8	42.1	212593	213386 (5)	213384 (4)	213434	213432
60	3.2	2.0	45.3	212594	213390 (5)	213388 (4)	213438	213436
60	3.2	2.0	53.9	212595	213394 (5)	213392 (4)	213442	213440
65	3.2	1.8	35.8	212596	213398 (6)	213396 (5)	213446	213444
65	3.2	1.8	42.1	212597	213402 (6)	213400 (5)	213450	213448
65	3.2	2.0	45.3	212598	213406 (6)	213404 (5)	213454	213452
65	3.2	2.0	53.9	212599	213410 (6)	213408 (5)	213458	213456
70	3.2	1.8	35.8	<b>212600</b>	213414 (7)	213412 (6)	213462	213460
70	3.2	1.8	42.1	212601	213418 (7)	213416 (6)	213466	213464
70	3.2	2.0	45.3	212602	213422 (7)	213420 (6)	213470	213468
70	3.2	2.0	53.9	212603	213426 (7)	213424 (6)	213474	213472

# Mounting Group ITA Class III



SD0104.iii

55E			
REF	QTY	ITA III PART NO.	DESCRIPTION
		3001382	Upper Hook Group ▲
		683181	Lower Hook Group ★
1	2	219379	Upper Hook
2	6	678997	Capscrew, M16x70
3	2	7403	Grease Fitting
4	2	675957	Lower Hook
5	2	675958	Guide
6	2	678832	Pin
7	4	779019	Capscrew

▲ Includes items 1 & 2.

★ Includes items 4, 5, 6 & 7.

Reference: SK-6116.

**Do you have questions you need answered right now?** Call your nearest Cascade Parts Department.

**Cascade Corporation**  
2501 Sheridan Avenue  
Springfield, OH 45505  
Tel: 888-CASCADE (227-2233)  
FAX: 888-329-0234

**Cascade Canada Inc.**  
5570 Timberlea Blvd.  
Mississauga, Ontario  
Canada L4W-4M6  
Tel: 905-629-7777  
FAX: 905-629-7785

**Cascade GmbH**  
D-41199 Monchengladbach  
Klosterhofweg 52  
Germany  
Tel: 21-66-602091  
FAX: 21-66-680947

**Cascade Finland**  
01370 Vantas  
Finland  
Tel: 358-0-836-1925  
FAX: 358-0-836-1935

**Cascade N.V.  
European Headquarters**  
P.O. Box 3009  
1300 El Almere  
Damsluisweg 56  
1332 ED Almere  
The Netherlands  
Tel: 31-36-5492911  
FAX: 31-36-5492964

**Cascade N.V.  
Benelux Sales and Service**  
P.O. Box 3009  
1300 El Almere  
Damsluisweg 56  
1332 ED Almere  
The Netherlands  
Tel: 31-36-5492950  
FAX: 31-36-5492974

**Cascade (UK) Ltd.**  
15, Orgreave Crescent  
Dore House Industrial Estate  
Handsworth  
Sheffield S13 9NQ  
England  
Tel: 742-697524  
FAX: 742-695121

**Cascade Scandinavia  
Hydraulik A.B.**  
Muskötgatan 19, E8-9  
S25466 Helsingborg  
Sweden  
Tel: 42-151135  
FAX: 42-152997

**Cascade Norway**  
Østerliveien 37A  
1153 Oslo  
Norway  
Tel: 47-22-743160  
FAX: 47-22-743157

**Cascade France S.A.R.L.**  
11, Rue Jean Charcot  
Zone Industrielle Sud or  
B.P. 22  
91421 Morangis Cedex  
France  
Tel: 1- 64547501  
FAX: 1-9790584

**Cascade Hispania S.A.**  
Avenida De La Fabregada, 7  
Hospitalet De Llobregat  
Barcelona  
Spain  
Tel: 3-335-5158  
FAX: 3-335-4756

**Cascade Japan Ltd.**  
5-5-41,  
Torikai Kami  
Settsu, Osaka  
Japan, 566  
Tel: 81-726-53-3490  
FAX: 81-726-53-3497

**Cascade Korea**  
Room 508, Pum Yang Bldg.  
750-14, Bang Bac-Dong  
Se-Cho Ku, Seoul  
Korea  
Tel: 2599-7131 ext. 512  
FAX: 2533-8089

**HYCO-Cascade Pty. Ltd.**  
87 Antimony Street  
Carole Park,  
Brisbane 4300  
Australia  
Tel: 7-271-1966  
FAX: 7-271-3830

**HYCO-Cascade (NZ) Ltd.**  
15 Ra Ora Drive, East Tamaki  
P.O. Box 38-440  
Howick, Auckland  
New Zealand  
Tel: 9-273-9136  
FAX: 9-273-9137

**Cascade (Africa) Pty. Ltd.**  
P.O. Box 625, Isando 1600  
60A Steel Road  
Sparton, Kempton Park  
South Africa  
Tel: 975-9240  
FAX: 394-1147

**Cascade-Xiamen**  
Wanshan No. 1 Workshop  
Huli Road  
Xiamen 361006  
Fujian, PRC  
Tel: 592-562-4600  
FAX: 592-562-4671

**Cascade (Singapore)  
Trading Co.**  
Four Seasons Park  
Autumn Block - Apt. 1802  
12 Cascaden Walk  
Singapore  
Tel: 65-834-1935  
FAX: 65-834-1936

