



# Parts Manual

---

Model 45E Push-Pull

Serial Number 45E-PLS-181

---

**cascade**<sup>®</sup>

**For Technical Assistance call:** 800-227-2233, Fax: 888-329-8207

**To Order Parts call:** 888-227-2233, Fax: 888-329-0234

**OR**

**Write:** Cascade Corporation, P.O. Box 20187, Portland, OR 97220

**Internet:** [www.cascorp.com](http://www.cascorp.com)

# Publications



GA0006.eps

PART NO.	DESCRIPTION
	Parts Manual
686455	Service Manual
684945	Operators Guide
685531	Operators Pocket Guide
684944	Installation Instructions
680664	Servicing Cascade Cylinders-VHS
679929	Tool Catalog
673964	Literature Index Order Form

# Decals



Optional Faceplate Extension



Part No. 679150  
(1 Place & 1 optional)



Part No. 665595  
(2 Place & 2 optional)



Part No. 656038  
(6 Places)



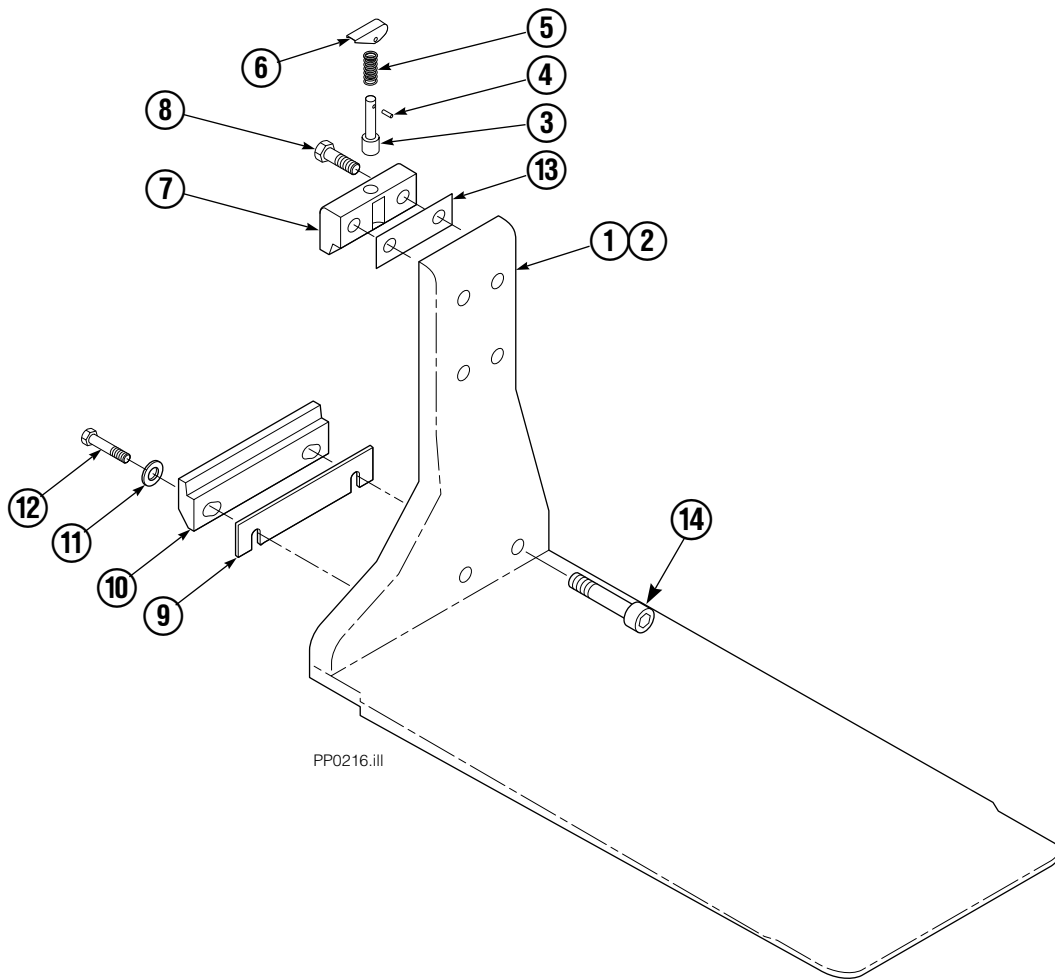
Part No. 679059  
(1 Place if equipped with Quick Change Hooks)



Nameplate

PP0060.iii

# Platens



PP0216.ill

REF	QTY	PART NO.	DESCRIPTION
		6015246	Platen Group
1	1	6015247	Platen L. H.
2	1	6015248	Platen R. H.
3	2	622907	■ Pin
4	2	8007	■ Rivet
5	2	622908	■ Spring
6	2	622897	■ Handle
7	2	685533	■ Upper Hook
8	4	685534	Capscrew
9	★	206969	Shim (.030)
10	2	682851	Lower Hook
11	4	667225	Washer
12	4	209016	Capscrew
13	●	688379	Shim (.060)
14	8	768840	Capscrew

★ As required.

● As required (2 maximum)

■ Included in Upper Hook Assembly 688386.

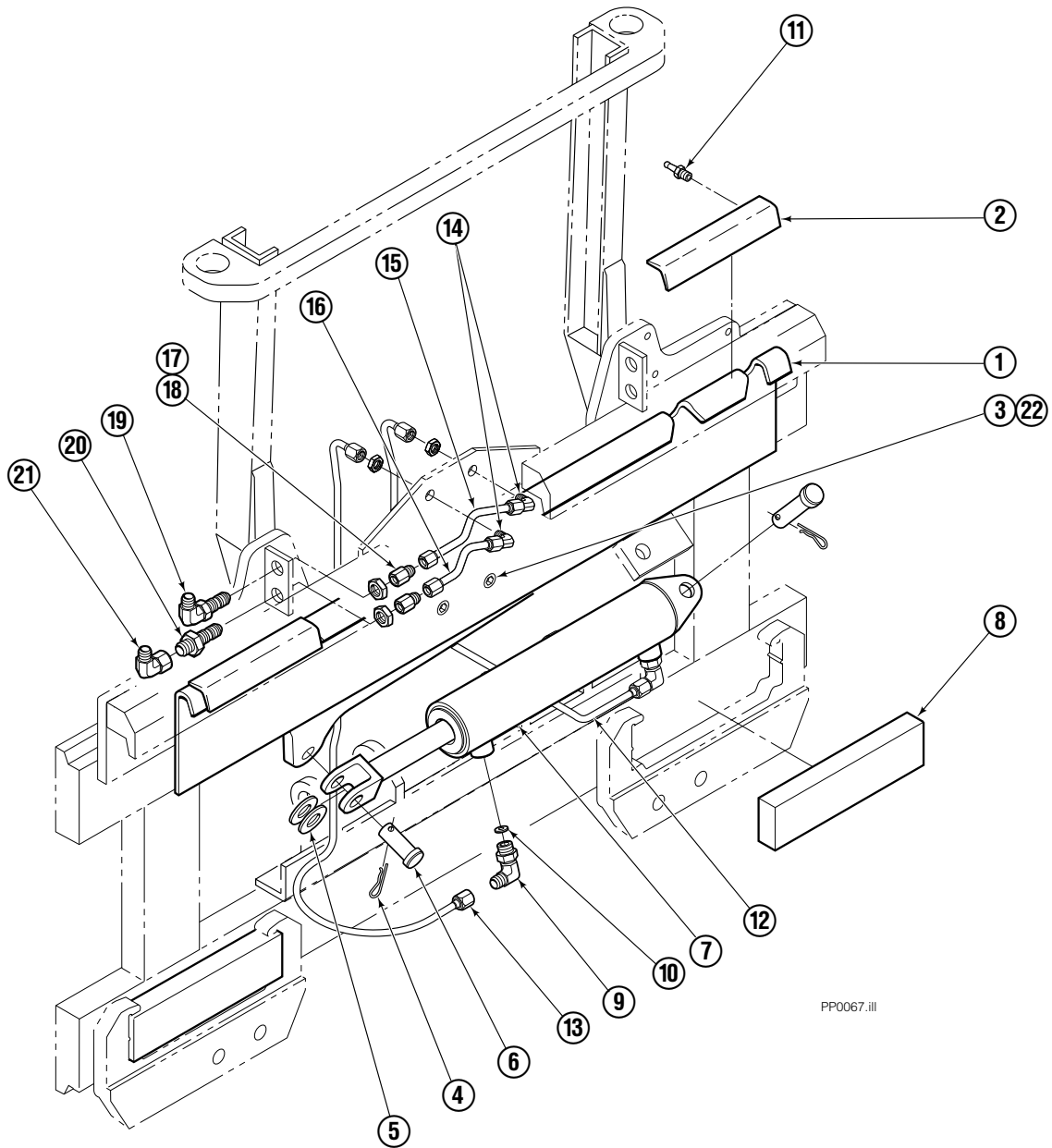
Ref: S-8869, S-8870

# Frame Group ITA II



35E/45E			
REF	QTY	PART NO.	DESCRIPTION
		390351	Frame Group
1	1	390352	Frame
2	3	2453	Fitting, 6-6
3	1	686509	Tube
4	1	686510	Tube
5	1	2680	Fitting, 6-6
6	1	2375	Fitting, 6-6
7	2	683001	Washer
8	2	683142	Capscrew
9	2	7401	Grease Fitting

# S/S Mounting Group ITA II



PP0067.iii

## 35E/45E

REF	QTY	PART NO.	DESCRIPTION	REF	QTY	PART NO.	DESCRIPTION
		682833	Mounting Group	12	1	686511	Tube
1	1	682554	Anchor Bracket	13	1	686512	Tube
2	2	671165	■ Bearing Segment	14	2	2451	Fitting, 4-4
3	2	768759	Setscrew	15	1	686515	Tube
4	2	6517	Cotter Pin	16	1	686516	Tube
5	2	6234	Washer	17	2	2669	Fitting, 4-6
6	2	678525	Clevis Pin	18	2	2617	Fitting, 6-6
7	1	675548	● Cylinder	19	1	2453	Fitting, 6-6
8	2	682814	Bearing	20	1	2375	Fitting, 6-6
9	2	666984	Fitting, 4-6	21	1	2680	Fitting, 6-6
10	2	675550	Washer	22	2	688387	Jam Nut
11	4	7403	■ Grease Fitting				

- Included in Bearing Service Kit 671423.
- See Cylinder page for parts breakdown.

# Sideshift Cylinder

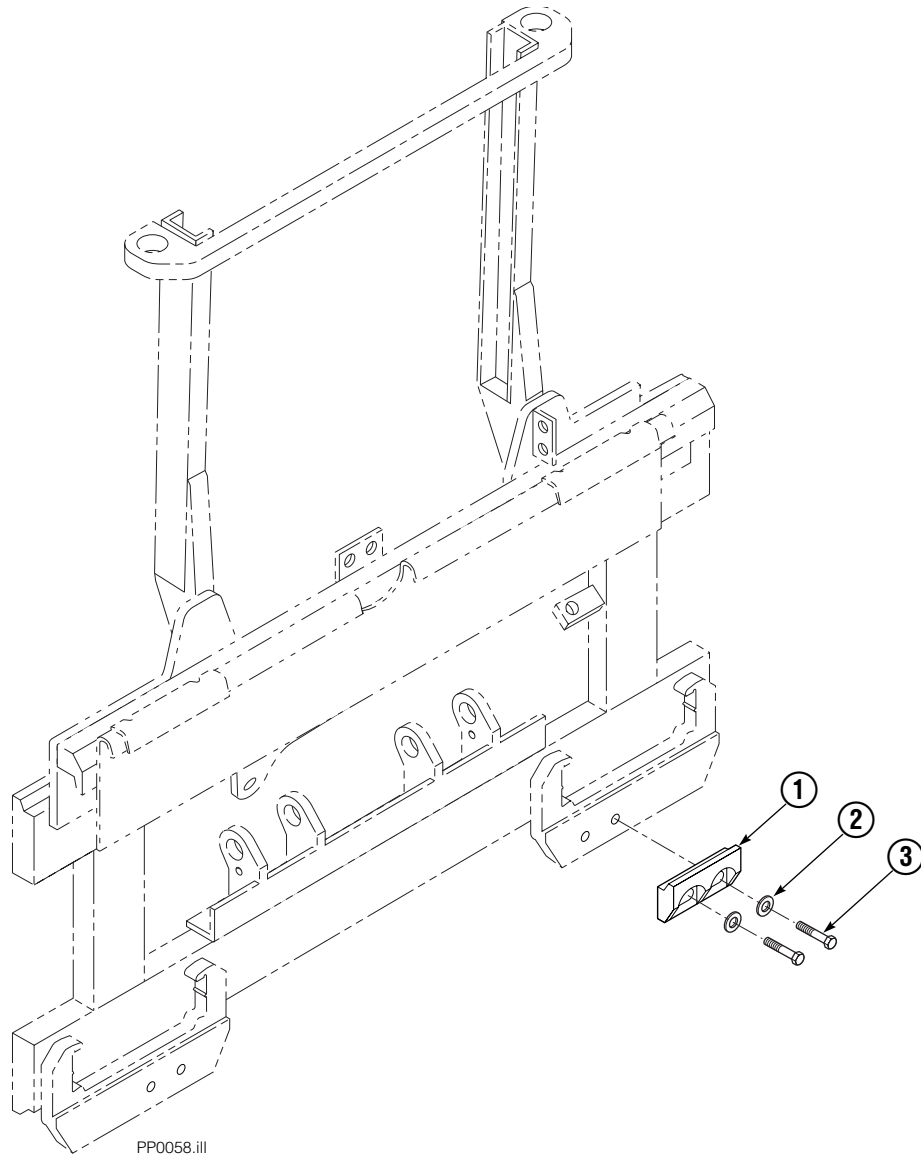


FP0079.ill

REF	QTY	PART NO.	DESCRIPTION
		675548	Cylinder Assembly
1	1	553857	Nut
■ 2	1	662452	Seal
3	1	553501	Piston
■ 4	1	636851	Wiper
■ 5	1	638247	Back-up Ring
6	1	675550	Washer (orifice .085)
7	1	675549	Shell
8	1	553449	Rod
■ 9	1	2785	O-Ring
■ 10	1	615128	Back-up Ring
11	1	553500	Retainer
12	1	553856	Retaining Ring
13	1	7202	Snap Ring
■ 14	1	641835	Seal
15	1	---	Spacer
		553861	Service Kit

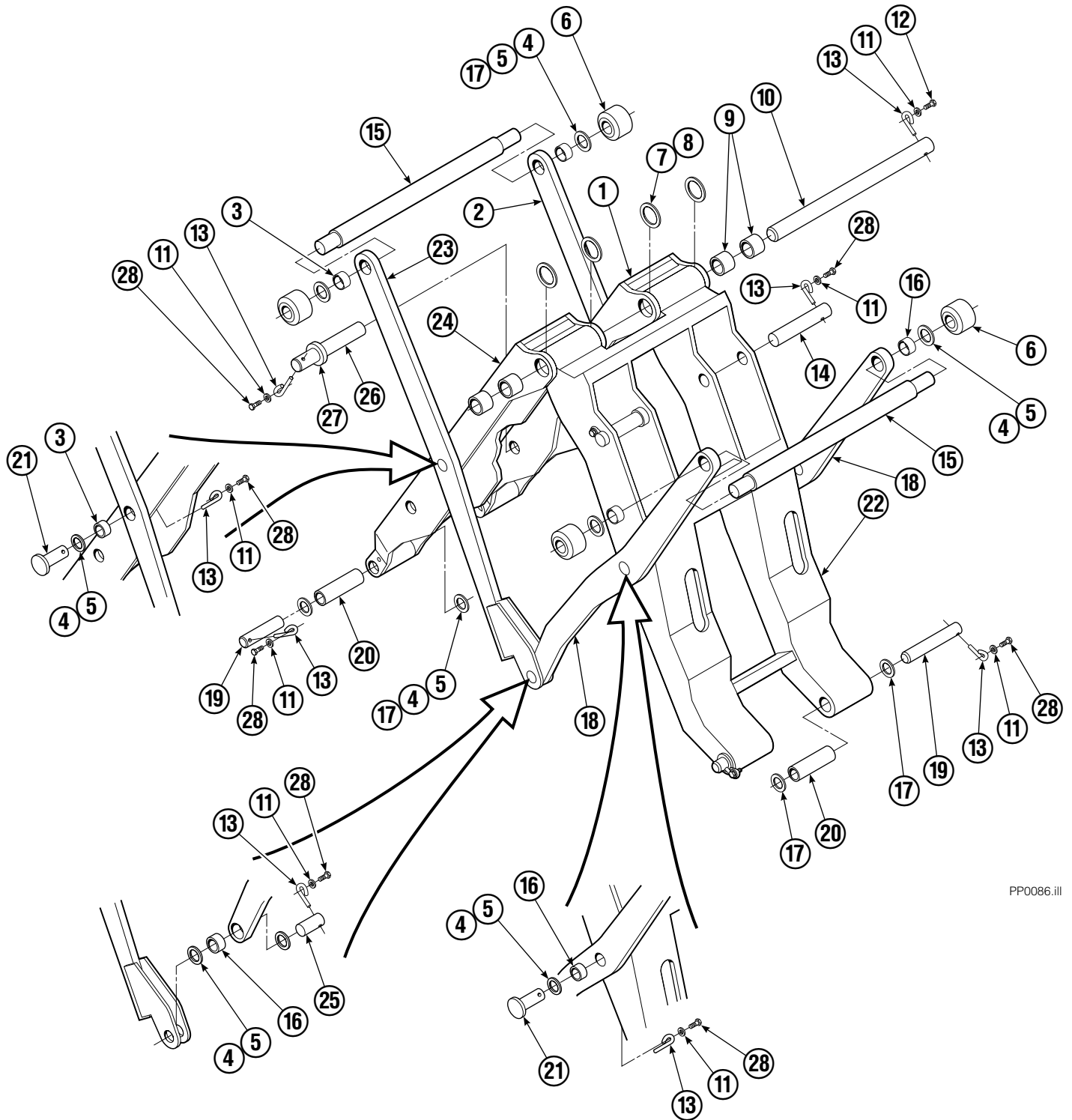
■ Included in Service Kit 553861.

# Bolt-On Lower Hook Group – ITA II



35E/45E			
REF	QTY	PART NO.	DESCRIPTION
		683178	Lower Hook Group ITA II
1	2	679360	Hook
2	4	667225	Washer
3	4	779010	Capscrew

# Mechanism Group



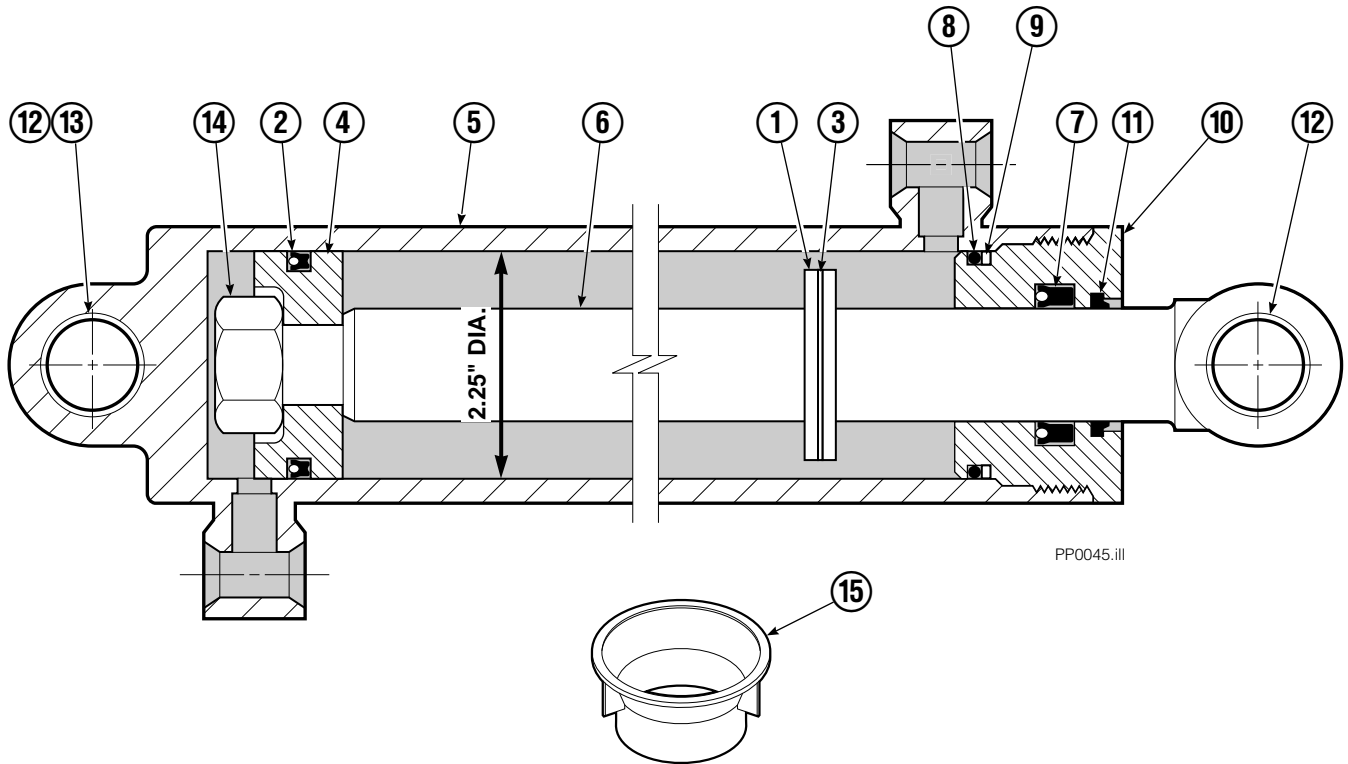
PP0086.iii

# Mechanism Group

35E/45E			
REF	QTY	PART NO.	DESCRIPTION
		204644	Mechanism Group
1	1	204691	Arm-Inner Secondary R. H.
2	1	204692	Arm-Secondary Outer R. H.
3	4	683154	■ Bushing
4	●	683161	Shim (.030)
5	●	683162	Shim (.060)
6	4	205070	Roller
7	●	683163	Shim (.030)
8	●	683164	Shim (.060)
9	4	683155	■ Bushing
10	1	682821	Pin
11	15	6229	Washer
12	2	685661	Capscrew
13	15	682999	Eye-Pin
14	2	682822	Pin-Head
15	2	205065	Pin
16	6	683153	■ Bushing
17	●	204532	Shim (.12)
18	2	204694	Arm-Outer Primary
19	4	204533	Pin-Frame
20	4	204535	■ Bushing
21	4	204695	Pin
22	1	204604	Arm-Inner Primary
23	1	204693	Arm-Secondary Outer L. H.
24	1	204690	Arm-Inner Secondary L. H.
25	2	204696	Pin-Outer
26	2	682823	Pin-Rod
27	2	683165	Spacer
28	13	767961	Capscrew

- Quantity as required.
- Included in Bushing Service Kit 205075.

# Cylinder

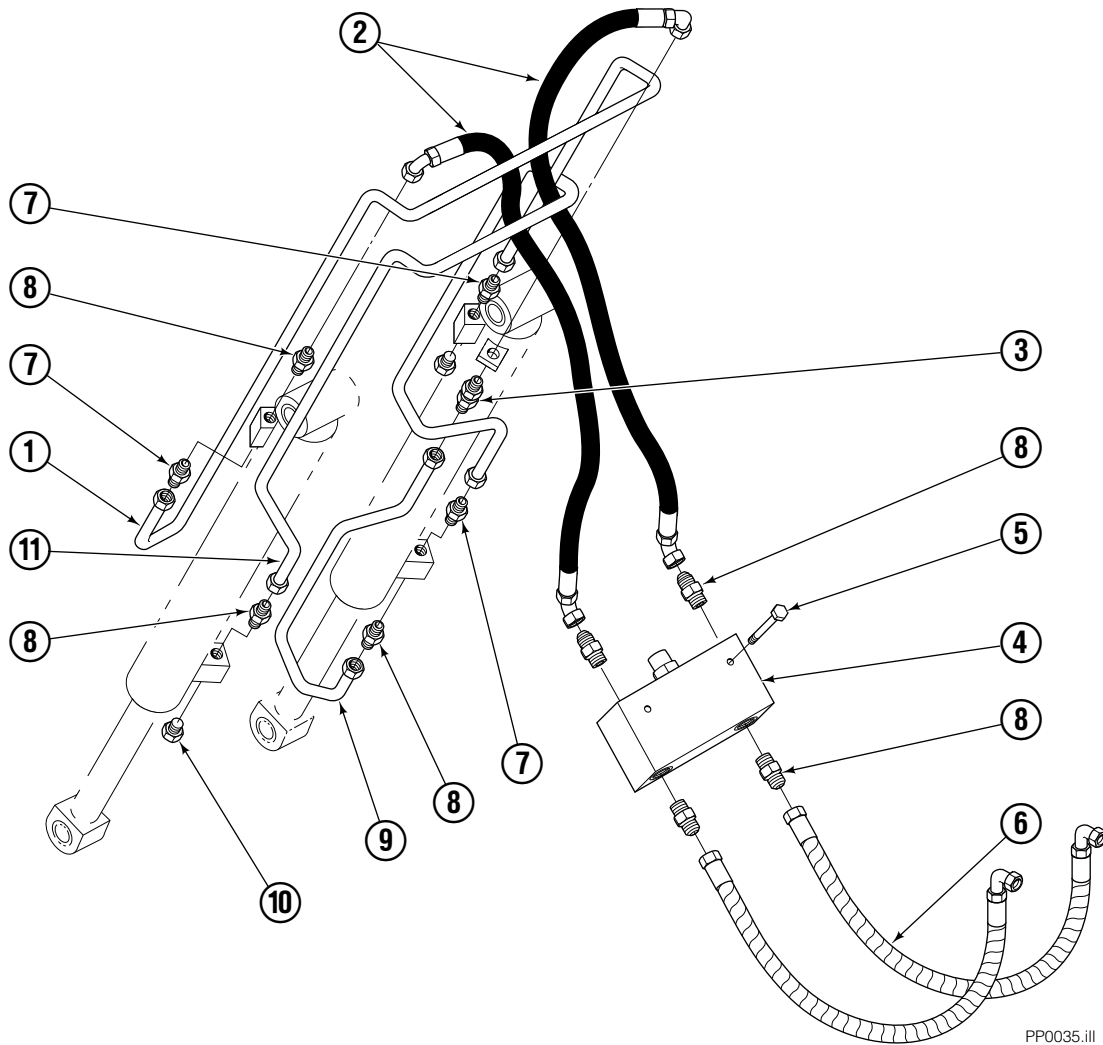


35E/45E			
REF	QTY	PART NO.	DESCRIPTION
		200989	Cylinder Assembly
1	1	685382	Spacer
2	1	562553	Seal ■
3	1	7348	Snap Ring
4	1	562333	Piston
5	1	562717	Shell
6	1	558626	Rod
7	1	559705	Seal ■
8	1	2787	O-Ring ■
9	1	615130	Back-up Ring ■
10	1	558628	Retainer
11	1	636853	Wiper ■
12	4	559697	Bearing
13	1	559698	Spacer
14	1	678019	Nut
15	1	671048	Seal Loader Kit ■

■ Included in Service Kit 562339.

Ref: S-3424

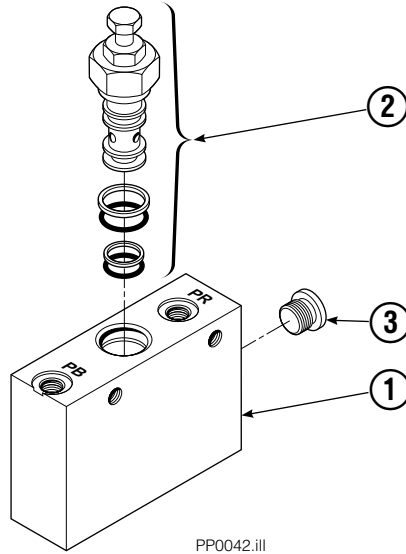
# Hydraulic Group



35E/45E			
REF	QTY	PART NO.	DESCRIPTION
		688382	Hydraulic Group ITA II
1	1	200649	Tube
2	2	683173	Hose
3	1	2375	Fitting, 6-6
4	1	688384	■ Valve
5	2	765329	Capscrew, M8x1.25x20-8.8
6	2	685980	Hose ITA II
7	4	605235	Fitting 5-6
8	6	604511	Fitting, 6-6
9	1	200647	Tube
10	2	604510	Plug, 6
11	1	200648	Tube

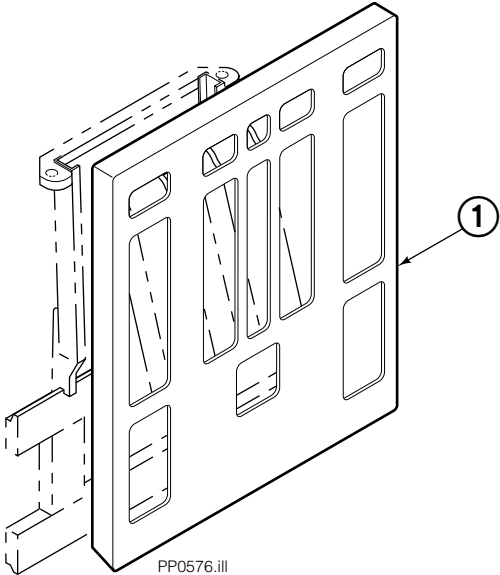
■ See Valve page for parts breakdown.

# Valve Load Push



35E/45E			
REF	QTY	PART NO.	DESCRIPTION
		688384	Valve Assembly
1	1	688385	Body
2	1	687224	Relief Valve
3	2	663694	Fitting, 3

# Faceplate Group



45E			
REF	QTY	PART NO.	DESCRIPTION
		3013599	Faceplate Group
1	1	3014059	Faceplate

Reference: S-20085.

**Do you have questions you need answered right now?** Call your nearest Cascade Parts Department.

**Cascade Corporation**  
2501 Sheridan Avenue  
Springfield, OH 45505  
Tel: 888-CASCADE (227-2233)  
FAX: 888-329-0234  
www.cascorp.com

**Cascade Canada Inc.**  
5570 Timberlea Blvd.  
Mississauga, Ontario  
Canada L4W-4M6  
Tel: 905-629-7777  
FAX: 905-629-7785

**Cascade GmbH**  
D-41199 Monchengladbach  
Klosterhofweg 52  
Germany  
Tel: 21-66-602091  
FAX: 21-66-680947

**Cascade Finland**  
01370 Vantas  
Finland  
Tel: 358-0-836-1925  
FAX: 358-0-836-1935

**Cascade N.V.  
European Headquarters**  
P.O. Box 3009  
1300 El Almere  
Damsluisweg 56  
1332 ED Almere  
The Netherlands  
Tel: 31-36-5492911  
FAX: 31-36-5492964

**Cascade N.V.  
Benelux Sales and Service**  
P.O. Box 3009  
1300 El Almere  
Damsluisweg 56  
1332 ED Almere  
The Netherlands  
Tel: 31-36-5492950  
FAX: 31-36-5492974

**Cascade (UK) Ltd.**  
15, Orgreave Crescent  
Dore House Industrial Estate  
Handsworth  
Sheffield S13 9NQ  
England  
Tel: 742-697524  
FAX: 742-695121

**Cascade Scandinavia  
Hydraulik A.B.**  
Muskötgatan 19, E8-9  
S25466 Helsingborg  
Sweden  
Tel: 42-151135  
FAX: 42-152997

**Cascade Norway**  
Østerliveien 37A  
1153 Oslo  
Norway  
Tel: 47-22-743160  
FAX: 47-22-743157

**Cascade France S.A.R.L.**  
11, Rue Jean Charcot  
Zone Industrielle Sud or  
B.P. 22  
91421 Morangis Cedex  
France  
Tel: 1- 64547501  
FAX: 1-9790584

**Cascade Hispania S.A.**  
Avenida De La Fabregada, 7  
Hospitalet De Llobregat  
Barcelona  
Spain  
Tel: 3-335-5158  
FAX: 3-335-4756

**Cascade Japan Ltd.**  
5-5-41,  
Torikai Kami  
Settsu, Osaka  
Japan, 566  
Tel: 81-726-53-3490  
FAX: 81-726-53-3497

**Cascade Korea**  
Room 508, Pum Yang Bldg.  
750-14, Bang Bac-Dong  
Se-Cho Ku, Seoul  
Korea  
Tel: 2599-7131 ext. 512  
FAX: 2533-8089

**HYCO-Cascade Pty. Ltd.**  
1445 Ipswich Road  
Rocklea,  
Queensland 4107  
Australia  
Tel: 3-274-2722  
FAX: 3-274-3456

**HYCO-Cascade (NZ) Ltd.**  
15 Ra Ora Drive, East Tamaki  
P.O. Box 38-440  
Howick, Auckland  
New Zealand  
Tel: 9-273-9136  
FAX: 9-273-9137

**Cascade (Africa) Pty. Ltd.**  
P.O. Box 625, Isando 1600  
60A Steel Road  
Sparton, Kempton Park  
South Africa  
Tel: 975-9240  
FAX: 394-1147

**Cascade-Xiamen**  
Wanshan No. 1 Workshop  
Huli Road  
Xiamen 361006  
Fujian, PRC  
Tel: 592-562-4600  
FAX: 592-562-4671

**Cascade (Singapore)  
Trading Co.**  
Four Seasons Park  
Autumn Block - Apt. 1802  
12 Cascaden Walk  
Singapore  
Tel: 65-834-1935  
FAX: 65-834-1936

