



Parts Manual

Model Single-Double Pallet Handler

Serial Number 55E-FD-762

cascade®

For Technical Assistance call: 800-227-2233, Fax: 888-329-8207

To Order Parts call: 888-227-2233, Fax: 888-329-0234

OR

Write: Cascade Corporation, P.O. Box 20187, Portland, OR 97220

Decals



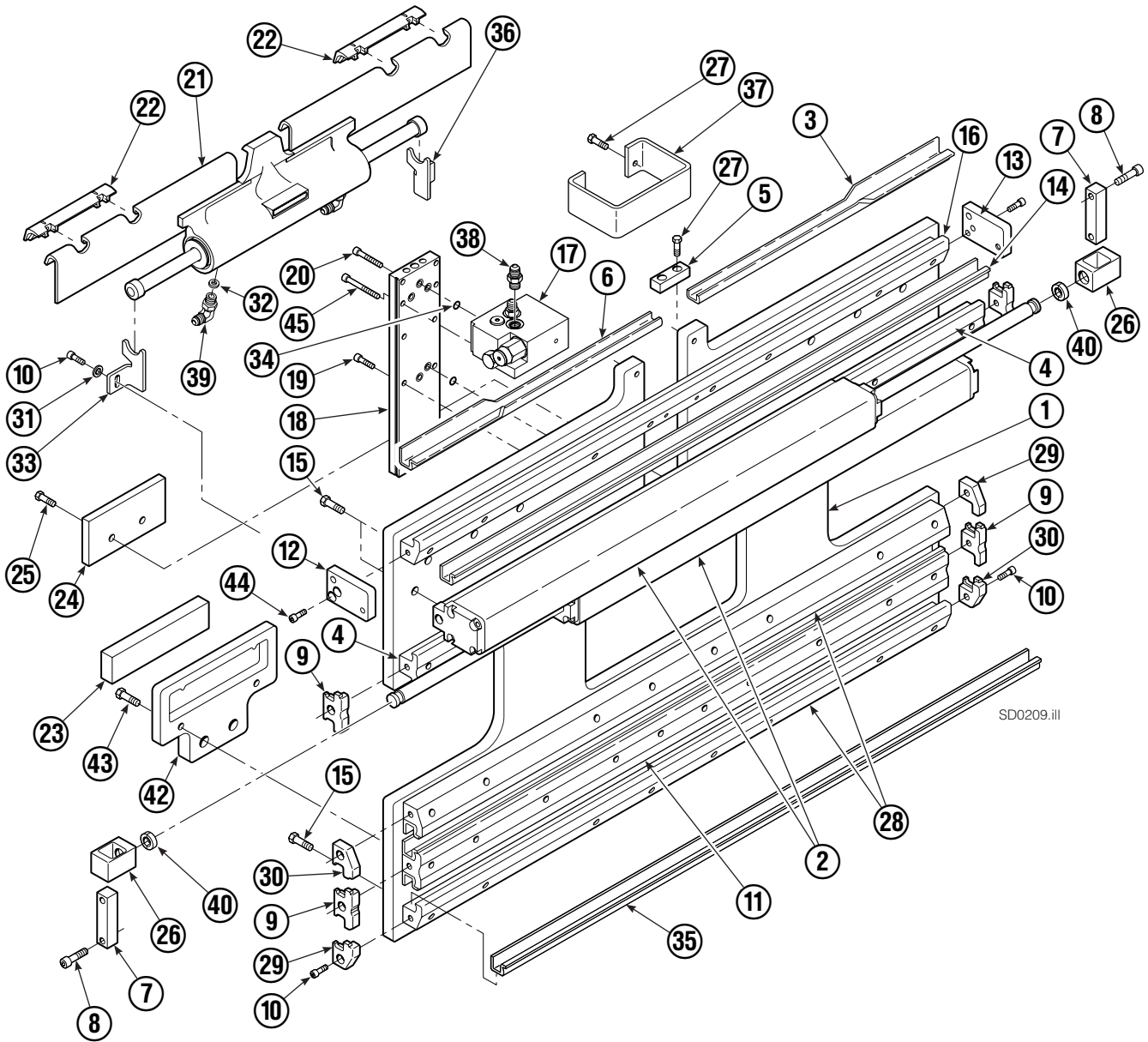
55E			
REF	QTY	PART NO.	DESCRIPTION
1	6	665595	No Hand Hold Decal
2	4	679150	No Step Decal

Publications



55E	
PART NO.	DESCRIPTION
	Parts Manual
213580	Operator's Guide
213372	Installation Instructions
679929	Tool Catalog
673964	Literature Index Order Form

Base Unit Group – ITA Class II

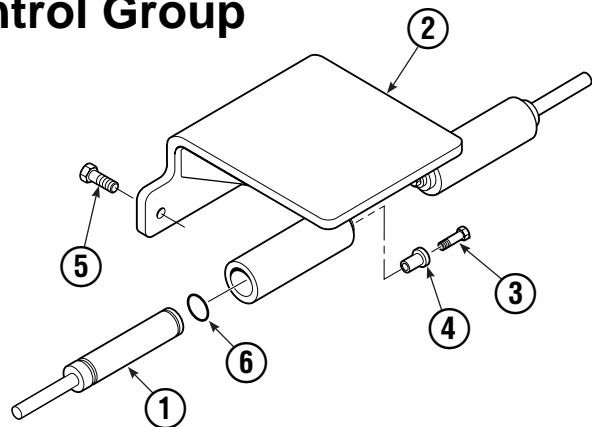


SD0209.iii

Inner Fork Control Group

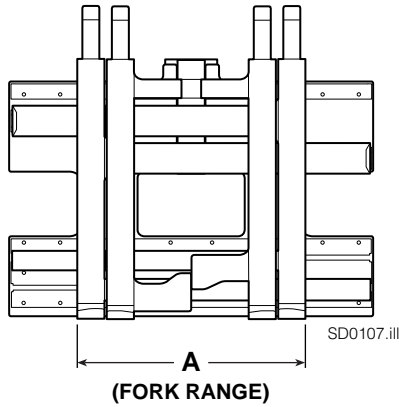
55E			
REF	QTY	PART NO.	DESCRIPTION
		220287	Inner Fork Control Group ▼
1	2	219703	Gas Spring
2	1	220273	Actuator Bracket
3	2	762900	Capscrew, M6 x 25
4	2	220286	Adapter
5	3	683821	Capscrew, M12 x 20
6	2	2843	O-Ring

▼ Included in Base Unit Group 220186.



SD0208.iii

Base Unit Group – ITA Class II



NOTE: Position the outer forks to minimum width and measure **A** to determine minimum outer fork outside to outside (OTO) range.

55E			
REF	QTY	PART NO.	DESCRIPTION
		220185▼	Base Unit Group – Class II
1	1	220017	Baseplate
2	2	214622	Frame Cylinder ★
3	1	4786-0468	Bearing Segment – LH
4	2	214629	T-Bar – Upper
5	1	212723	Fork Stop
6	1	4787-0468	Bearing Segment – RH

▼ Includes Inner Fork Control Group 220287.

Common Parts

REF	QTY	PART NO.	DESCRIPTION	REF	QTY	PART NO.	DESCRIPTION
7	2	210489	Rod End Anchor ■	27	4	684649	Capscrew, M10 x 25
8	4	768303	Capscrew, M10 x 35 ■	28	2	214633	T-Bar – Lower
9	4	210140	Bearing Retainer	29	2	212585	Bearing Retainer
10	14	787375	Capscrew, M8 x 20 GR 8.8	30	2	212586	Bearing Retainer
11	1	214631	T-Bar – Lower	31	2	787398	Washer
12	1	220009	Retainer/Stop – RH	32	1	205369	Washer
13	1	220008	Retainer/Stop – LH	33	1	213737	Bracket – RH
14	4	4730-1050	Bearing Segment	34	7	214053	O-Ring
15	24	211689	Capscrew, M12 x 30 GR 10.9	35	4	4730-1040	Bearing Segment
16	1	220143	T-Bar – Upper	36	1	213736	Bracket – LH
17	1	216838	Valve Assembly ▲	37	1	212741	Valve Guard
18	1	211456	Manifold	38	2	604511	Fitting, 6-6 ◆
19	6	768208	Capscrew, M8 x 25	39	2	601676	Fitting, 6-6 ◆
20	2	768800	Capscrew, M8 x 60	40	4	210490	Retainer Half Ring ■
21	1	205842	Sideshift Cylinder ●	41	26	214487	Capscrew, M12 x 40
22	2	204187	Upper Bearing	42	2	215226	Hanger
23	2	208350	Lower Bearing	43	4	787383	Lockwasher, M10
24	2	212709	Spacer Block	44	2	762900	Capscrew, M6 x 25
25	8	767615	Capscrew, M10 x 25	45	2	768802	Capscrew, M8 x 70
26	2	209741	Rod End ■				

★ See Frame Cylinder page for parts breakdown.

▲ See Valve Assembly page for parts breakdown.

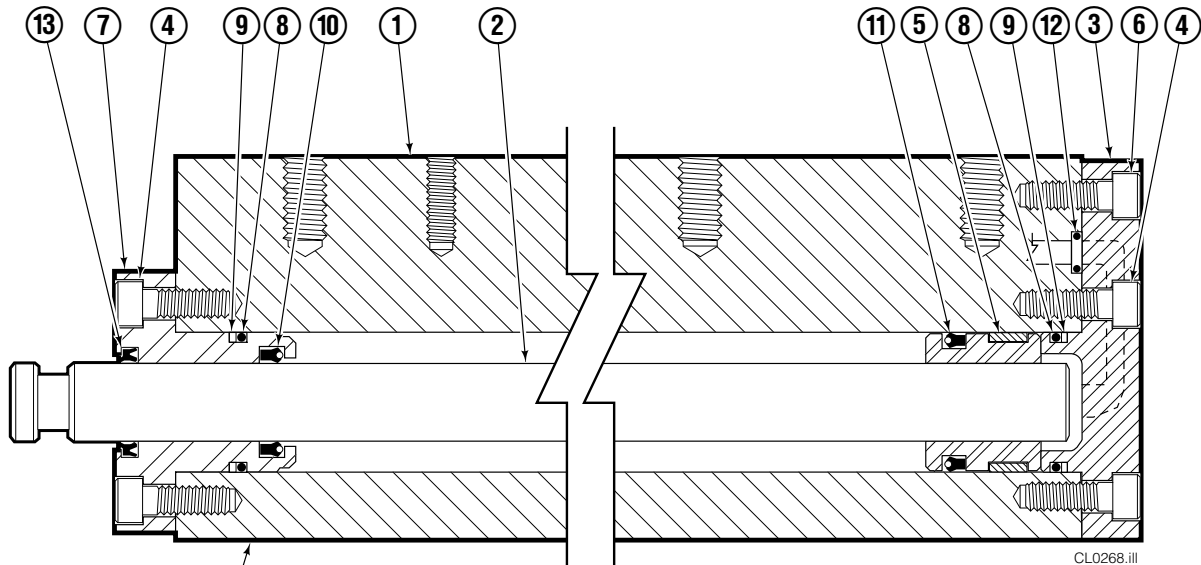
■ Included in Cylinder Rod Anchor Kit 213856.

● See Sideshift Cylinder page for parts breakdown.

◆ Included in Fitting Group 213099.

Reference: SK-6374.

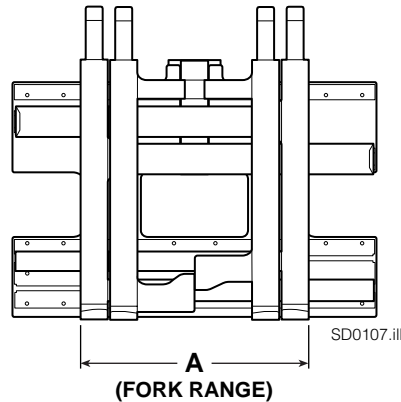
Frame Cylinder



CL0268.ill

STAMPED
CYLINDER
ASSEMBLY
PART NUMBER

NOTE: Position the outer forks to minimum width and measure **A** to determine minimum outer fork outside to outside (OTO) range.



SD0107.ill

55E					
		DIMENSION - A MINIMUM OTO FORK RANGE			
		26 in. (660 mm)	27.5 in. (700 mm)	31.9 in. (810 mm)	
REF	QTY	PART NO.	PART NO.	PART NO.	DESCRIPTION
		214620	214622	214624	Cylinder Assembly
1	1	214621	214623	214625	Cylinder/Shell
2	1	4157-805	4157-825	4157-880	Rod

Common Parts

REF	QTY	PART NO.	DESCRIPTION	REF	QTY	PART NO.	DESCRIPTION
3	1	213783	End Cap	9	2	210050	Back-Up Ring ▲
4	8	768208	Capscrew, M8 x 25	10	1	212477	Seal ▲
5	1	209809	Bearing ▲	11	1	209808	Seal ▲
6	1	787375	Capscrew, M8 x 20	12	2	214053	O-Ring ▲
7	1	212452	Retainer	13	1	562131	Wiper ▲
8	3	643379	O-Ring ▲			210090	Service Kit

▲ Included in Service Kit 210090.

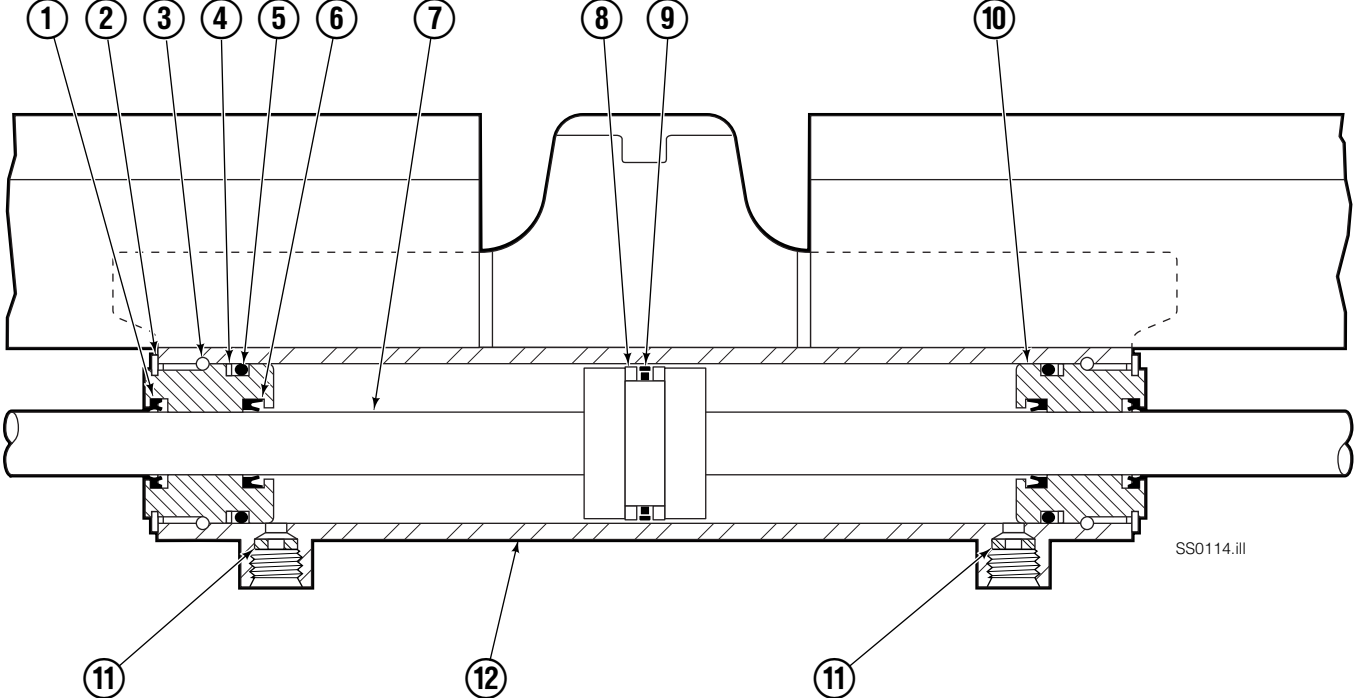
Reference: S-4643, S-4644.

Valve ITA Class III



55E			
REF	QTY	PART NO.	DESCRIPTION
		216838	Valve Assembly
1	1	219039	Check Valve
2	1	—	Service Kit
3	1	609234	Plug
4	1	216839	Valve Body
5	1	213535	Crossover Relief Valve
6	1	682170	Service Kit
7	1	219040	Flow Divider/Combiner
8	1	—	Service Kit

Sideshift Cylinder ITA Class II



55E			
REF	QTY	PART NO.	DESCRIPTION
		205842	Cylinder Assembly
● 1	2	562131	Wiper Seal
2	2	562951	Snap Ring
3	2	562942	Retaining Ring
● 4	2	563388	Back-Up Ring
● 5	2	562127	O-Ring
● 6	2	562132	Rod Seal
7	1	562055	Rod
● 8	2	563278	Bearing Ring
● 9	1	564141	Piston Seal
10	2	562792	Retainer
11	2	205369	Speed Control Washer
12	-	■	Cylinder Shell
		563487	Service Kit

- Included in Service Kit 563487.
- Not serviceable, order new cylinder assembly.

Arm Group



SD0210.III

Arm Group



NOTE: Position the inner forks to maximum width and measure **A** to determine maximum inner fork inside to inside (ITI) range.

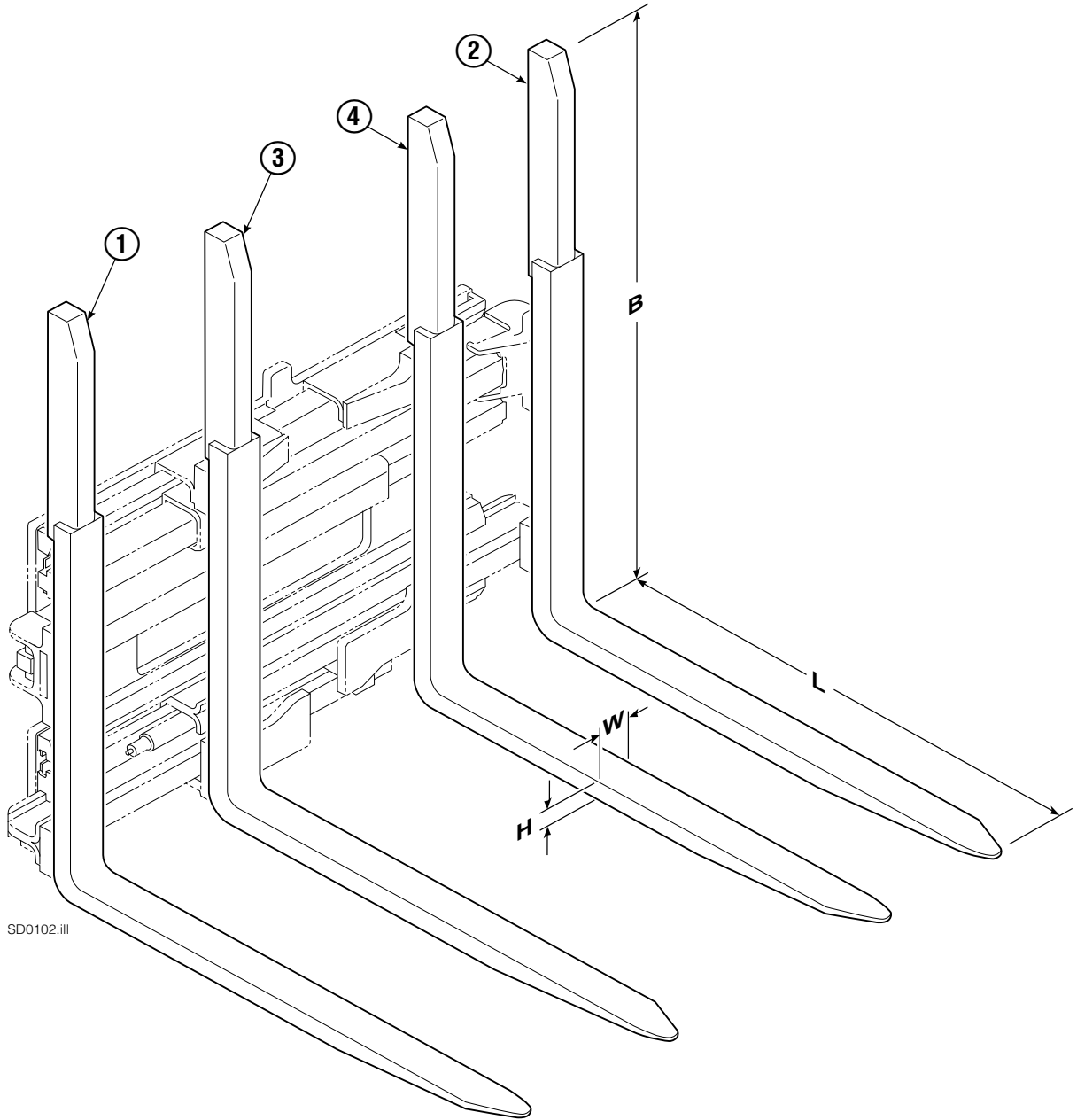
55E						
		DIMENSION – A MAXIMUM ITI FORK RANGE				
		28 in. (720 mm)	28.5 in. (730 mm)	31 in. (790 mm)	32 in. (820 mm)	
REF	QTY	PART NO.	PART NO.	PART NO.	PART NO.	DESCRIPTION
		220119	220122	220123	220120	Arm Group
1	2	220175	220176	220177	220174	Upper Arm Bar
2	1	220214	220216	220217	220213	Lower Arm Bar – RH
3	1	220204	220206	220207	220203	Lower Arm Bar – LH
4	1	220135	220136	220137	220135	Lower Hook – RH
5	1	220138	220139	220140	220138	Lower Hook – LH
6	2	10273-0243	10273-0133	10273-0178	10273-0243	Bracket
7	2	218895	219979	219979	218895	Gas Spring

Common Parts

REF	QTY	PART NO.	DESCRIPTION	REF	QTY	PART NO.	DESCRIPTION
8	1	220096	Upper Hook – LH	19	2	4501-0222	Bearing Segment
9	1	220095	Upper Hook – RH	20	2	212979	Bearing Retainer
10	2	213011	Ball Joint	21	1	212682	Bearing – RH
11	4	766646	Capscrew, M10 x 20	22	1	213899	Bearing – LH
12	4	212687	Fork Stop	23	4	213364	Key
13	8	769574	Capscrew, M16 x 35	24	2	213360	Bearing Retainer
14	12	769578	Capscrew, M16 x 60	25	4	212559	Shim, .04 in. (.1 mm)
15	4	769577	Capscrew, M16 x 50	26	4	213913	Shim, .02 in. (.5 mm)
16	8	769573	Capscrew, M16 x 30	27	4	787375	Capscrew, M8 x 20
17	2	210587	Spacer	28	4	797611	Spacer
18	4	214414	Capscrew, M10 x 12	29	4	797610	Spacer

Reference: SK-6373 and 6374. Common Parts Group 220285.

Tube Backrest/Fork Group



SD0102.iii

55E								
SIZE (IN.)				FORK GROUP PART NO.	REF 1	REF 2	REF 3	REF 4
L	W	H	B		Outer Fork-RH	Outer Fork-LH	Inner Fork-RH	Inner Fork-LH
42.1	3.2	1.8	48	212605	212761	212760	212801	212800

Mounting Group ITA Class II



55E			
REF	QTY	PART NO.	DESCRIPTION
		212569	Upper Hook Group ▲
		6012786	Lower Hook Group ★
1	2	210591	Upper Hook
2	6	751511	Capscrew, M16 x 55
3	2	7403	Grease Fitting
4	2	675514	Lower Hook
5	2	675515	Guide
6	2	678832	Pin
7	4	221304	Capscrew, M16 x 55

▲ Includes items 1 & 2.

★ Includes items 4-7.

Reference: SK-6116.

Do you have questions you need answered right now? Call your nearest Cascade Parts Department.

Cascade Corporation
2501 Sheridan Avenue
Springfield, OH 45505
Tel: 888-CASCADE (227-2233)
FAX: 888-329-0234
www.cascorp.com

Cascade Canada Inc.
5570 Timberlea Blvd.
Mississauga, Ontario
Canada L4W-4M6
Tel: 905-629-7777
FAX: 905-629-7785

Cascade GmbH
D-41199 Monchengladbach
Klosterhofweg 52
Germany
Tel: 21-66-602091
FAX: 21-66-680947

Cascade Finland
01370 Vantas
Finland
Tel: 358-0-836-1925
FAX: 358-0-836-1935

**Cascade N.V.
European Headquarters**
P.O. Box 3009
1300 El Almere
Damsluisweg 56
1332 ED Almere
The Netherlands
Tel: 31-36-5492911
FAX: 31-36-5492964

**Cascade N.V.
Benelux Sales and Service**
P.O. Box 3009
1300 El Almere
Damsluisweg 56
1332 ED Almere
The Netherlands
Tel: 31-36-5492950
FAX: 31-36-5492974

Cascade (UK) Ltd.
15, Orgreave Crescent
Dore House Industrial Estate
Handsworth
Sheffield S13 9NQ
England
Tel: 742-697524
FAX: 742-695121

**Cascade Scandinavia
Hydraulik A.B.**
Muskötgatan 19, E8-9
S25466 Helsingborg
Sweden
Tel: 42-151135
FAX: 42-152997

Cascade Norway
Østerliveien 37A
1153 Oslo
Norway
Tel: 47-22-743160
FAX: 47-22-743157

Cascade France S.A.R.L.
11, Rue Jean Charcot
Zone Industrielle Sud or
B.P. 22
91421 Morangis Cedex
France
Tel: 1- 64547501
FAX: 1-9790584

Cascade Hispania S.A.
Avenida De La Fabregada, 7
Hospitalet De Llobregat
Barcelona
Spain
Tel: 3-335-5158
FAX: 3-335-4756

Cascade Japan Ltd.
5-5-41,
Torikai Kami
Settsu, Osaka
Japan, 566
Tel: 81-726-53-3490
FAX: 81-726-53-3497

Cascade Korea
Room 508, Pum Yang Bldg.
750-14, Bang Bac-Dong
Se-Cho Ku, Seoul
Korea
Tel: 2599-7131 ext. 512
FAX: 2533-8089

HYCO-Cascade Pty. Ltd.
1445 Ipswich Road
Rocklea,
Queensland 4107
Australia
Tel: 3-274-2722
FAX: 3-274-3456

HYCO-Cascade (NZ) Ltd.
15 Ra Ora Drive, East Tamaki
P.O. Box 38-440
Howick, Auckland
New Zealand
Tel: 9-273-9136
FAX: 9-273-9137

Cascade (Africa) Pty. Ltd.
P.O. Box 625, Isando 1600
60A Steel Road
Sparton, Kempton Park
South Africa
Tel: 975-9240
FAX: 394-1147

Cascade-Xiamen
Wanshan No. 1 Workshop
Huli Road
Xiamen 361006
Fujian, PRC
Tel: 592-562-4600
FAX: 592-562-4671

**Cascade (Singapore)
Trading Co.**
Four Seasons Park
Autumn Block - Apt. 1802
12 Cascaden Walk
Singapore
Tel: 65-834-1935
FAX: 65-834-1936

