



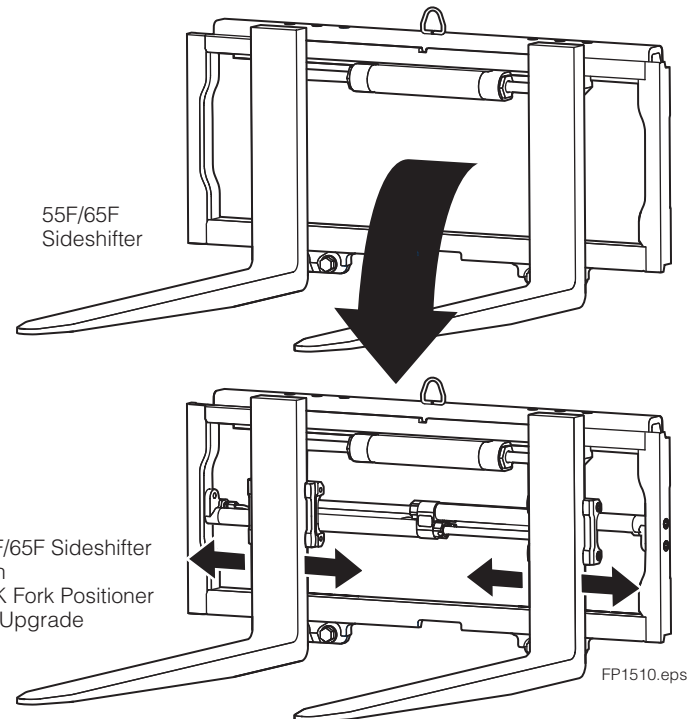
Technical Bulletin

Converting 55F & 65F Sideshifter Frames for FPK Fork Positioner Kit Upgrade

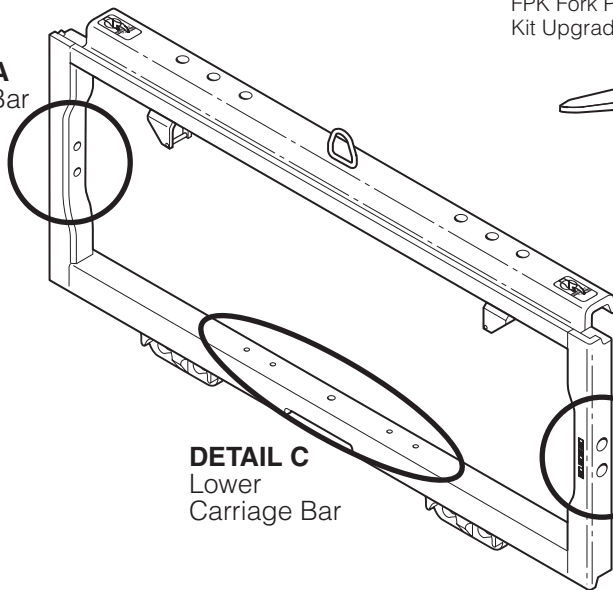
This sheet describes how to convert a 55F or 65F Sideshifter frame for an FPK Fork Positioner upgrade. Additional mounting holes are required in the end bars and lower bar to mount the FPK Fork Positioner in the Sideshifter frame.

NOTE: All F-Series sideshifter frames produced after 11-2008 are pre-drilled to accept the FPK Fork Positioner Kit upgrade.

- 1 Remove the sideshifter from the lift truck.
- 2 Disassemble the sideshifter as described in Service Manual 220526.
- 3 Drill/counterbore and drill/tap holes in the frame. See the hole location details on the next page.
- 4 Reassemble the sideshifter and mount on the truck as described in Service Manual 220526.
- 5 Install the K-Series Fork Positioner Kit as described in User Manual 6054167.



DETAIL A
RH End Bar



DETAIL C
Lower
Carriage Bar

DETAIL B
LH End Bar

SS0942.eps

NOTE: This information should not be interpreted as the basis for warranty claims unless so designated.

cascade[®]
corporation

For Technical Support . . .

Call: 1-800-CASCADE (227-2233)

OR

Write: Cascade Corporation, PO Box 20187, Portland, OR 97294-0187

To Order Parts . . .

Call: 1-888-CASCADE (227-2233)

OR

Write: Cascade Corporation, 2501 Sheridan Ave., Springfield, OH 45505

