



# Parts Manual

---

Model 65G Rotator

Serial Number 65G-RRB-10BR1

---

**cascade**®  
**corporation**

**For Technical Assistance call:** 800-227-2233, Fax: 888-329-8207

**To Order Parts call:** 888-227-2233, Fax: 888-329-0234

**OR**

**Write:** Cascade Corporation, P.O. Box 20187, Portland, OR 97220

**Internet:** [www.cascorp.com](http://www.cascorp.com)

# Safety Decals



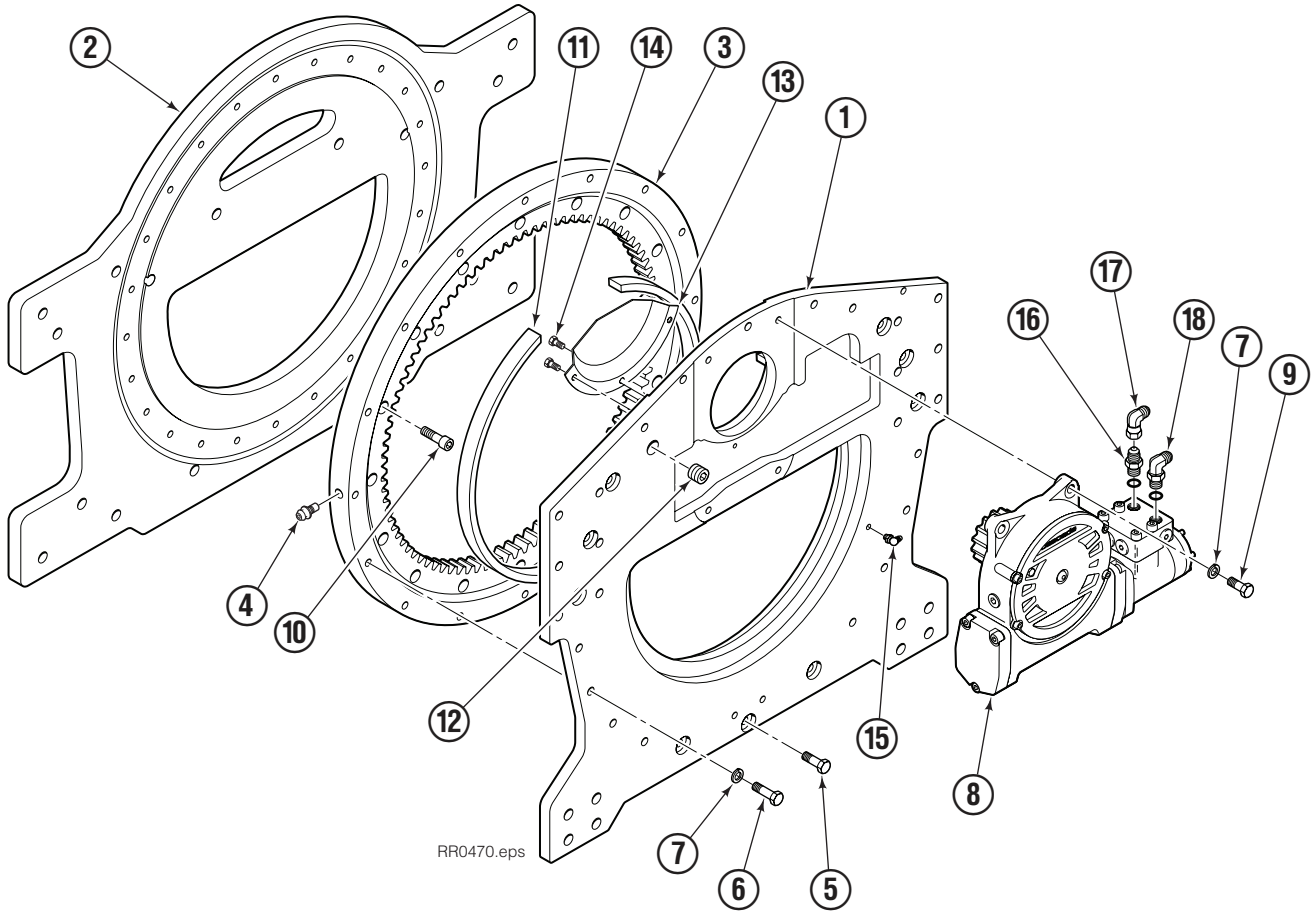
REF	QTY	PART NO.	DESCRIPTION
1	1	679150	No Step Decal

# Publications



PART NO.	DESCRIPTION
672946	Service Manual
672714	Operators Guide
672327	Installation Instructions
679929	Tool Catalog
673964	Literature Index Order Form

# Rotator Group



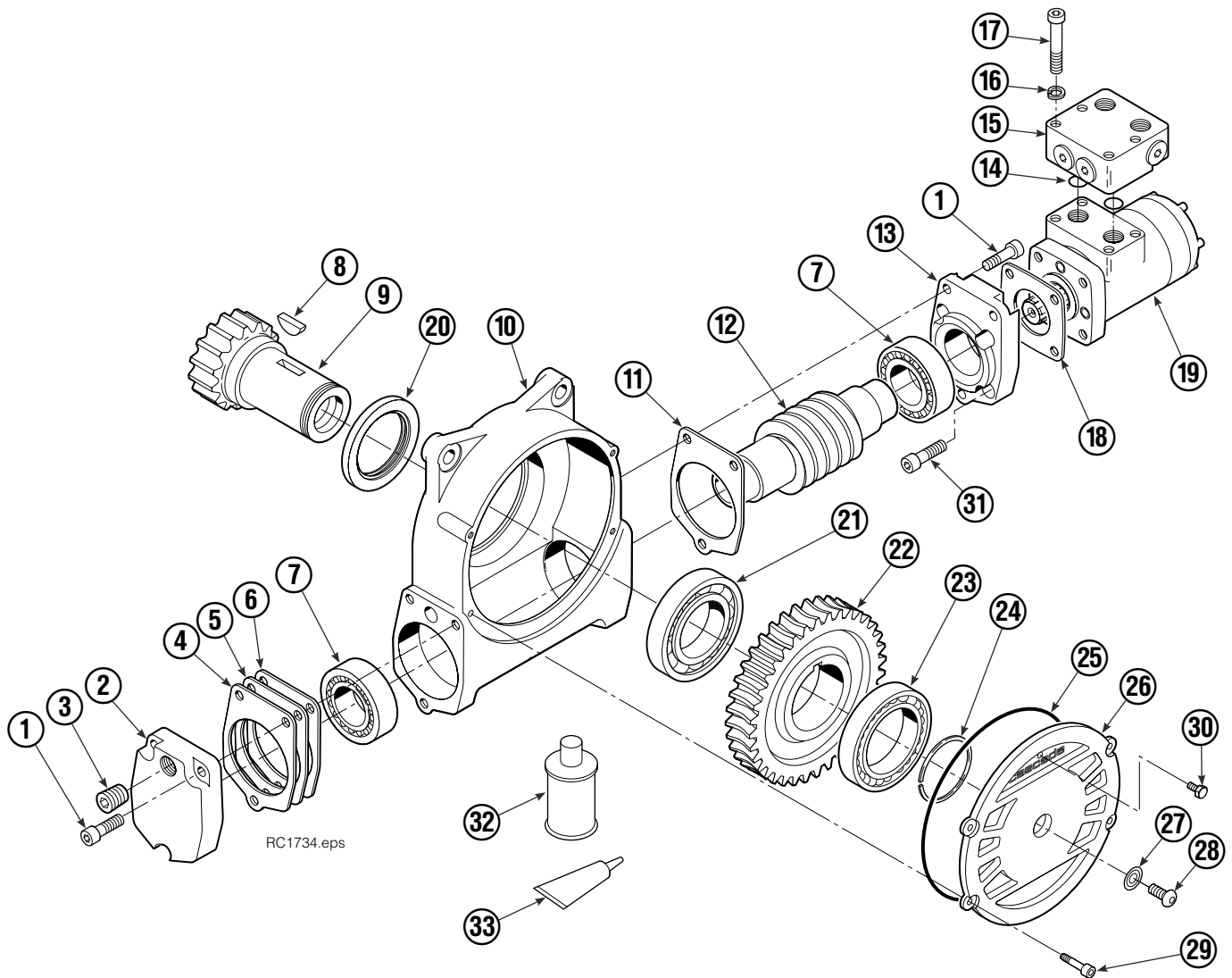
65G			
REF	QTY	PART NO.	DESCRIPTION
		6051997	Rotator Group
1	1	6059682	Baseplate
2	1	6050786	Faceplate
3	1	213761	Bearing Assembly
4	1	7401	Grease Fitting
5	9	6057357	Capscrew, M12 x 45
6	13	213633	Capscrew, M12 x 55
7	17	683822	Lockwasher, M12
8	1	795491	Drive Group ♦
9	4	763021	Capscrew, M12 x 30
10	24	767596	Capscrew, M12 x 40
11	1	6036248	Seal
12	1	6605	Plug
13	1	6036287	Cover Plate
14	3	767961	Capscrew, M8 x 16
15	1	7406	Grease Fitting
16	1	601377	Fitting, 8-8 ■
17	1	605761	Fitting, 8-8 ■
18	1	601250	Fitting, 8-8 ■

♦ See Drive Group page for parts breakdown.

■ Included in Fitting Group 212367.

Reference: Common Parts 6051998.

# Drive Group



REF	QTY	PART NO.	DESCRIPTION	REF	QTY	PART NO.	DESCRIPTION
		795491	Drive Group with 2.8 C.I. Motor	18	1	670575	Gasket
1	6	769570	Capscrew, M12 x 25	19	1	206392	Drive Motor – 2.8 C.I. ▼
2	1	676855	Cover	20	1	3014870	Seal
3	1	604510	Fitting, 6	21	1	6033892	Bearing ■
4	●	670574	Shim – .010" (brown)	22	1	675609	Worm Gear
5	●	671757	Shim – .015" (pink)	23	1	670581	Bearing
6	●	671758	Shim – .020" (yellow)	24	1	7214	Snap Ring
7	2	670579	Bearing	25	1	643423	O-Ring
8	1	670582	Key	26	1	775552	Cover
9	1	670506	Pinion	27	1	783609	Seal
10	1	775551	Housing	28	1	783608	Capscrew, M12 x 16
11	1	686465	Gasket	29	4	200882	Capscrew, M8 x 20
12	1	675608	Worm	30	1	644010	Relief Fitting
13	1	775553	Adapter	31	4	4468	Capscrew, 3/8 NC x .75 GR8
14	2	2705	O-Ring	32	1	656300	Gear Box Lube – 48 oz.
15	1	670549	Check Valve ▲	33	1	668184	Sealant
16	4	6444	Lockwasher			670578	Shim Service Kit (items 4-6,11,25,33)
17	4	607059	Capscrew, 5/16 NC x 1.75 GR8			206394	Motor Kit-2.8 (items 11,14,18,19,33)

● Quantity as required.

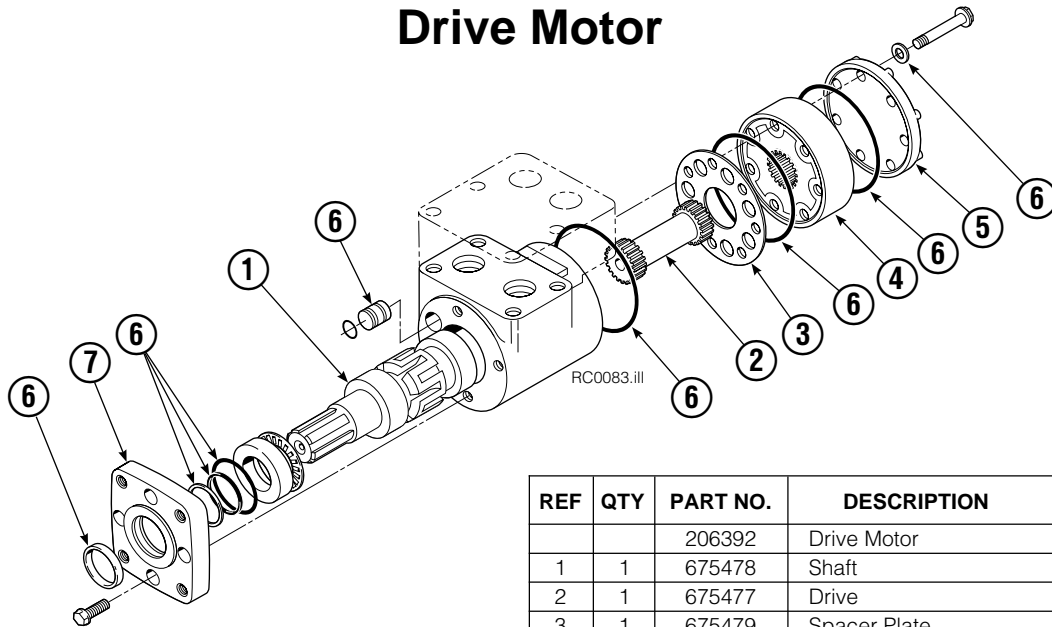
▲ See Check Valve page for parts breakdown.

■ For service replacement use Bearing 670580.

▼ See Drive Motor page for parts breakdown.

Reference: Common Parts 795490, SKN-5527.

## Drive Motor



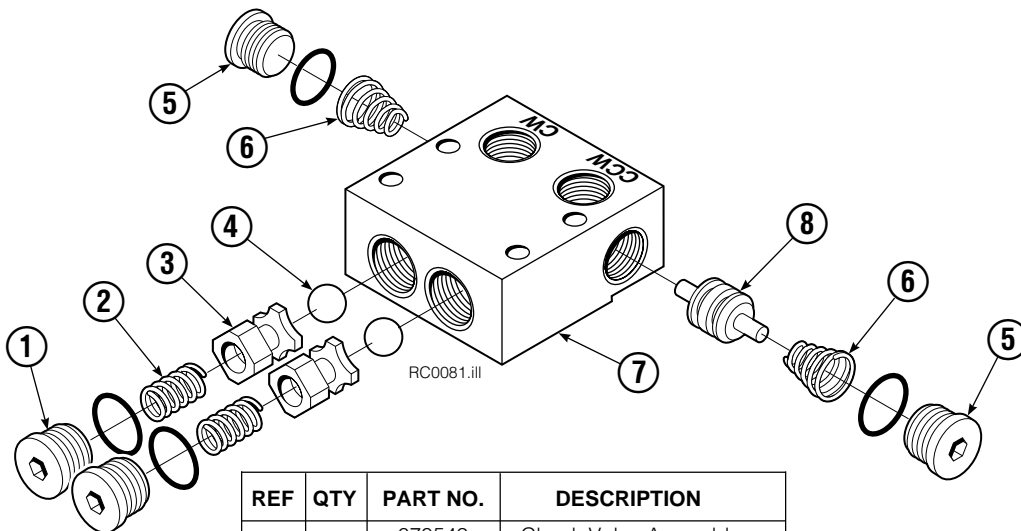
REF	QTY	PART NO.	DESCRIPTION
		206392	Drive Motor
1	1	675478	Shaft
2	1	675477	Drive
3	1	675479	Spacer Plate
4	1	675480	■ Gerotor Set (101-1768-007)
4	1	685075	■ Gerotor Set (101-1768-009)
5	1	675482	End Cap
6	1	206405	● Service Kit
7	1	685089	■ Flange (101-1768-007)
7	1	685090	■ Flange (101-1768-009)

Cascade provides service replacement parts for the listed parts only. Due to cost, if others parts need replacement, the complete drive motor should be replaced.

■ See Nameplate under valve for correct part number of Gerotor Set and Flange.

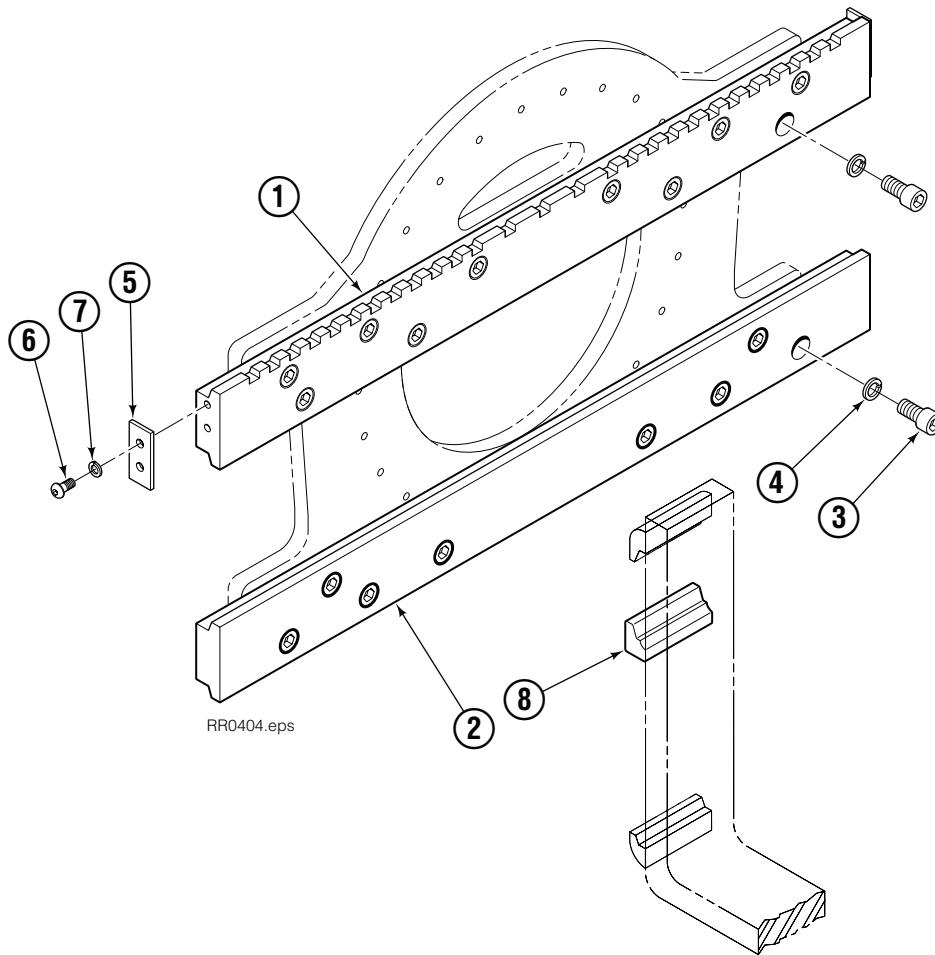
● Compatible with water glycol based hydraulic fluids.

## Check Valve



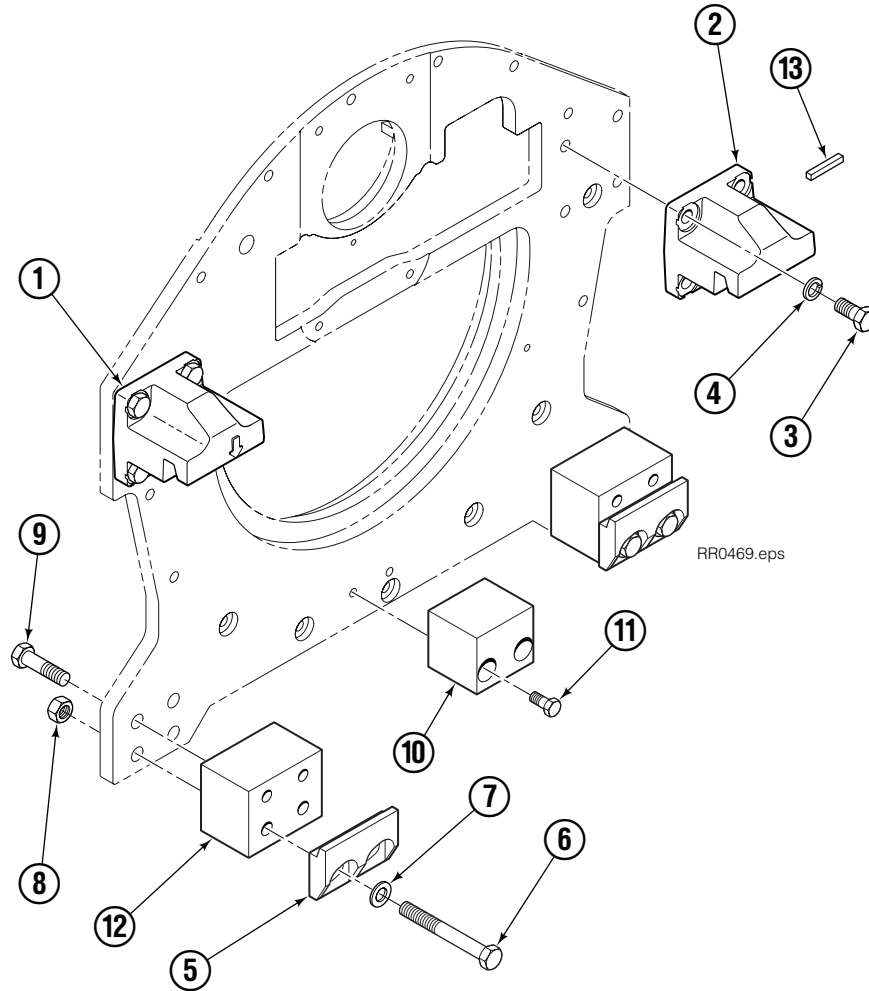
REF	QTY	PART NO.	DESCRIPTION
		670549	Check Valve Assembly
1	2	609453	Fitting, 10
2	2	670552	Spring
3	2	670551	Guide
4	2	7020	Ball
5	2	602580	Fitting, 8
6	2	673989	Spring
7	1	670550	Body
8	1	670553	Spool

# Fork Bar Group



65G			
REF	QTY	PART NO.	DESCRIPTION
		6052181	Fork Bar Group
1	1	6052171	Upper Bar
2	1	6052172	Lower Bar
3	18	769581	Capscrew, M20 x 45
4	18	779506	Lockwasher, M20
5	2	606988	Keeper
6	4	680084	Capscrew, M12 x 25
7	4	683822	Lockwasher, M12
8	2	689281	Middle Hook

# Bolt-On Mounting Group



Class III, 0°			
REF	QTY	PART NO.	DESCRIPTION
		6051625	Mounting Group
1	1	670527	Upper Hook – LH
2	1	670528	Upper Hook – RH
3	8	684295	Capscrew, M16 x 35
4	8	684586	Lockwasher, M16
5	2	675969	Lower Hook
6	4	768572	Capscrew, M16 x 130
7	4	217637	Washer, M16
8	4	781534	Nut, M16
9	4	689997	Capscrew, M16 x 60
10	1	682067	Center Spacer
11	2	767810	Capscrew, M12 x 25
12	2	6051804	Spacer
13	1	669344	Stop Block Kit

**Do you have questions you need answered right now?** Call your nearest Cascade Parts Department. Visit us online at [www.cascorp.com](http://www.cascorp.com)

**Cascade Corporation**  
2501 Sheridan Avenue  
Springfield, OH 45505  
Tel: 888-CASCADE (227-2233)  
FAX: 888-329-0234

**Cascade Canada Inc.**  
5570 Timberlea Blvd.  
Mississauga, Ontario  
Canada L4W-4M6  
Tel: 905-629-7777  
FAX: 905-629-7785

**Cascade GmbH**  
Dahlener Strasse 570  
41239 Mönchengladbach  
Germany  
Tel: 02166-68230  
FAX: 02166-682323

**Cascade Finland**  
A. Petreliuksenkatu 3  
01370 Vantaa  
Finland  
Tel: 09-8361925  
FAX: 09-8361935

**Cascade N.V.  
Benelux Sales and Service**  
Damsluisweg 56  
PO Box 3009  
1300 El Almere  
The Netherlands  
Tel: 036-5492950  
FAX: 036-5492974

**Cascade (UK) Ltd.**  
Unit 4, 12 O'Clock Court  
Attercliffe Road  
Sheffield, S4 7WW  
England  
Tel: 0870-850-8756  
FAX: 0870-850-8757

**Sales Scotland  
Macade Systems Ltd.**  
18 Melford Road  
Righead Ind. Estate  
Bellshill ML4 3LR  
Scotland  
Tel: 01698-845777  
FAX: 01698-845888

**Cascade (Africa) Pty. Ltd.**  
PO Box 625, Isando 1600  
60A Steel Road  
Sparton, Kempton Park  
South Africa  
Tel: 27-11-975-9240  
FAX: 27-11-394-1147

**Cascade Scandinavia AB**  
Hammarvägen 10  
PO Box 124  
S-56723 Vaggeryd  
Sweden  
Tel: 039-336950  
FAX: 039-336959

**Cascade France  
S.A.R.L. MHP**  
1D Rue De Charaintru BP 18,  
91360 Epinay-Sur-Orge  
France  
Tel: 01-6454-7500  
FAX: 01-6454-7501

**Cascade Hispania S.A.**  
Carrer 5, Sector C  
Zona Franca Duanera  
Poligono de la Zona Franca  
08040 Barcelona, Spain  
Tel: 93-264-07-30  
FAX: 93-264-07-31

**Cascade Roncari S.R.L.**  
Via Dell'Artigianato 1  
37050 Vago di Lavagno (VR)  
Italy  
Tel: 39-045-8989111  
FAX: 39-0458989160

**Sales Portugal FAG  
Santos Lda**  
Rua do Mercado  
Lte 6, Loja 2-Tires 2785-630  
S. Domingos De Rana  
Portugal  
Tel: 214-448-083  
FAX: 214-458-098

**Sales Switzerland  
Fahrzeugbedarf**  
8810, Horgen  
Switzerland  
Tel: 01-7279797  
FAX: 01-7279798

**Sales Poland**  
Targowa 35/61  
03-728 Warszawa  
Tel: 022-619 00 49  
FAX: 022-619 00 49  
Mobile Phone: 0501-27 29 55

**Sales Russia**  
EMCG Material Handling  
Equipment  
Moscow  
Tel: 095-795-2400  
FAX: 095-795-2475  
Email: [emcg@sovintel.ru](mailto:emcg@sovintel.ru)

**Cascade Japan Ltd.**  
5-5-41,  
Torikai Kami  
Settsu, Osaka  
Japan, 566  
Tel: 81-726-53-3490  
FAX: 81-726-53-3497

**Cascade Korea**  
121B 9L Namdong Ind.  
Complex, 691-8 Gojan-Dong  
Namdong-Ku  
Inchon, 405-310 Korea  
Tel: 82-32-821-2051  
FAX: 82-32-821-2055

**Cascade Australia**  
1445 Ipswich Road  
Rocklea, QLD 4107  
Australia  
Tel: 1-800-227-223  
FAX: 617-3373-7333

**Cascade New Zealand**  
15 Ra Ora Drive  
East Tamaki, Auckland  
New Zealand  
Tel: 64-9-273-9136  
FAX: 64-9-273-9137

**Cascade-Xiamen**  
No. 668 Yangguang Rd.  
Xinyang Industrial Zone  
Haicang, Xiamen City  
Fujian Province  
P.R. China 361026  
Tel: 86-592-651-2500  
FAX: 86-592-651-2571

**Sunstream Industries  
Pte Ltd.**  
No. 3 Tuas Link 1  
2263  
Singapore  
Tel: 65-6863-3488  
FAX: 65-6863-1368

