



A Cascade clamp for every application.





Pulp Bale Clamps

For high-volume, secure handling of pulp bales and unitized pulp in stevedoring, mill, warehousing, shipboard and transporting operations. Pulp Bale Clamps handle loads ranging from single bales to eight-unit packs. Available with rigid or articulating arms.



Drum Dumpers

For forward rotation (dumping) of both steel and plastic drums. Used in the petrochemical industry as well as in the food processing and manufacturing industries. Removable slip-on arms allow the unit to be used as a fork clamp/fork positioner when not used for drum handling



Telescopic Fork Clamp

Enhances fork positions with the ability to extend or retract the load. Enables trailers and railcars to be loaded from one side. Also used for deep stacking of racking systems and for placing loads in difficult-to-reach places.



Boom Arm Clamps

Designed primarily for the textile and paper industries for products handled "on-the-roll". Arms can either cradle single or multiple rolls between the arms or can enter the core. Also used for handling carpets and steel coils.



Bale Clamps

Handle nearly all baled products safely, efficiently and economically. Suitable for single or multiple baled product including cotton, flax, wool, tobacco, synthetic textiles, rag and baled paper.



Recycling Clamps

These rugged bale clamps handle waste materials and baled scrap metals in the recycling industry. Bumper protects cylinders while full-length wear strips under the frame and arms provide durability in sweeping operations.



Multi-Purpose Clamps

Used to handle a wide variety of steel or wooden containers as well as boxed and cased goods. Rubber covered arms ensure a secure grip without damage. Thin arm profile plus the hydraulic sideshift enables close stacking. Available with 360° rotation for dumping.



There's a Cascade clamp for any application.

Whether you're handling baled paper, textile, cotton, tyres, recycling waste, or anything in between, Cascade clamps offer a solution. Cascade clamps are durable enough for the toughest conditions. They're versatile and easy to service. Each Cascade clamp is designed to do a particular job, and do it well, so you can always find the right clamp for any load. With these features and a variety of options, the result is faster, safer and more efficient handling, leading to improved productivity, less damage and satisfied customers.





Fork Clamps & Fork Positioners

Handle all palletized loads including difficult loads such as wide crates, boxes and cages. The fork clamp can clamp loads between the forks or work with a variety of slip-on arms.



Harbour Clamps

Rugged and versatile clamps with profiled, tapered forks for close stacking and knifing between loads. Originally designed for general cargo handling in the stevedoring industry it has now found wide usage for container stuffing and unstuffing and in the recycling industry.



Turnaforks

Used in a variety of manufacturing, warehousing, processing and shipping environments that require both clamp and pallet handling. Ideal for order picking or layer picking operations where the arm position must be changed frequently. Manual and automatic versions available.

Key benefits

Hydraulic Compatibility

Designed to fit to both old and new generation fork lift trucks, Cascade clamps are pressure protected on all hydraulic functions. Available for both High or Low pressure truck systems.

Visibility

Designed with the operator in mind. Maximum visibility through and around the frame. Profiled arms allow good functionality and visibility without sacrificing strength.

Durability

Cascade clamps feature all steel frame sections, extruded alloy steel arm bars, cast arm bases, full length one-piece thick-wall UHMW replaceable arm bearings, bolt-on pallet fork arms, protected hydraulic valves, bolt-on lower frame wear strips, and floating cylinder rod end fixings. These, coupled with Cascade's 60 years of experience, are your guarantee for outstanding durability and reliability.

Easy to Service

Modular design coupled with accessible components and high quality materials make service easy. Full supporting service parts and documentation are available.

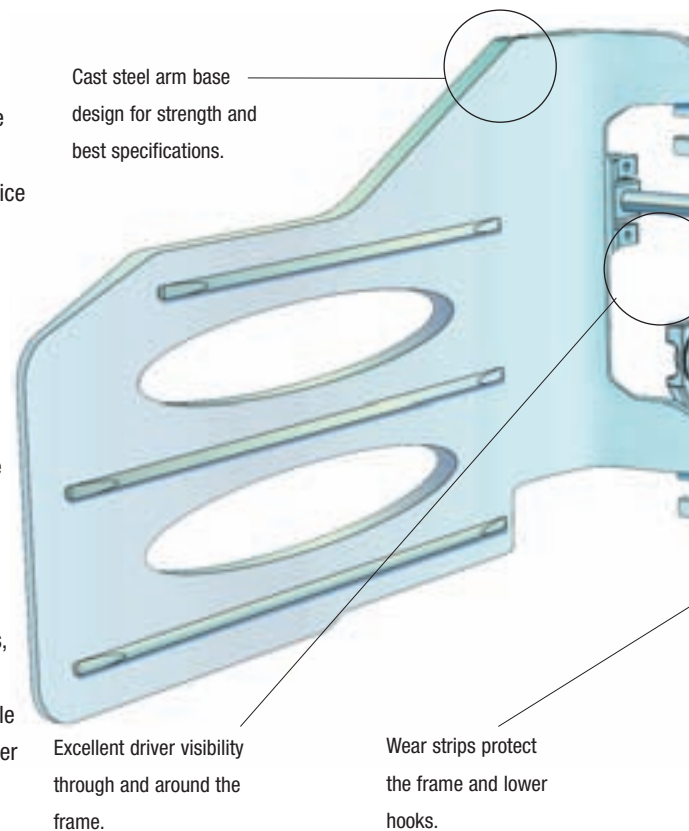
Fast, Uniform Motion

Low friction bearings, extruded frame and arm profiles, double acting piston seals. Built-in hydraulic flow dividers and bi-directional relief valve guarantee fast and uniform arm movement.

Gentle Handling

Full pressure protected hydraulic valves, application designed arms and pads all provide you with a clamp that will handle your product gently but securely, whether it be paper or building blocks, soap powder or washing machines.

A wide range of valves matched to your truck requirements



Whatever the application, we can handle it.



Foam Rubber Clamps

For handling large blocks of foam rubber or other light weight volume products like insulation materials. The high visibility tubular arms are strong but smooth to avoid product damage.



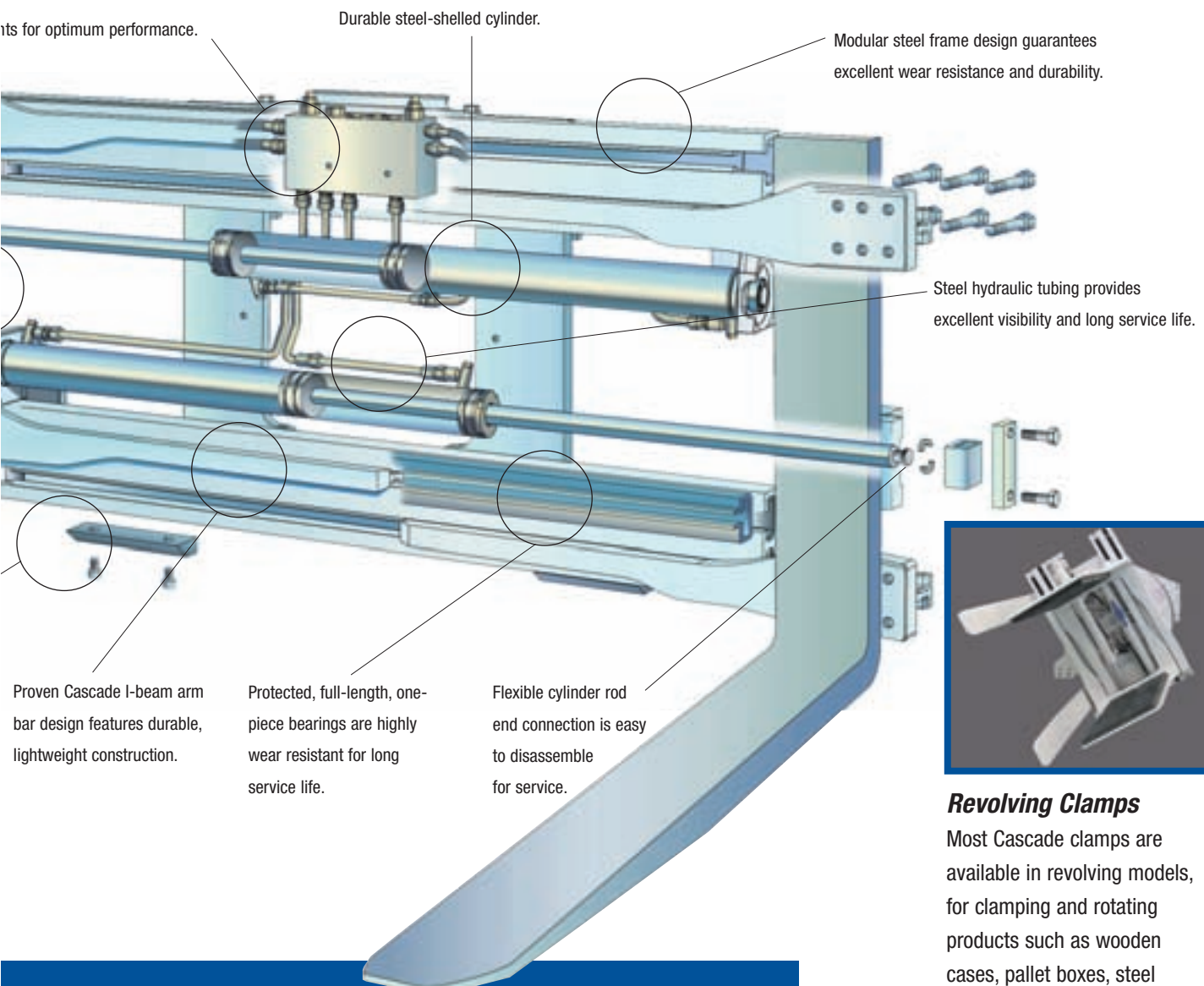
Turnloads

Versatile clamps used for pallet transfer from expensive in-house pallets to less expensive shipping or chep pallets. Also used for product rotation in food processing and the waste recycling industry.



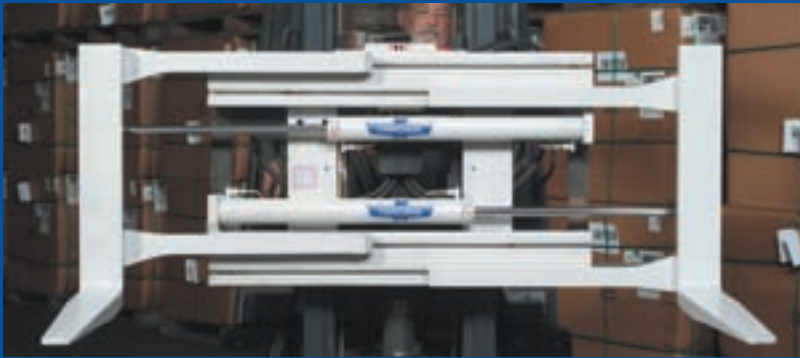
Drum Clamps

Used wherever product is stored in drums, including the petroleum, chemical and food processing industries. Improve productivity by handling single drums or up to four drums per load. Rotating drum clamps are designed for inverting and dumping.



Revolving Clamps

Most Cascade clamps are available in revolving models, for clamping and rotating products such as wooden cases, pallet boxes, steel containers, cages and a range of manufactured products



Designed to be flexible.

In addition to our standard clamp line, Cascade offers custom designed attachments built to handle products ranging from eggs to tyres, mattresses to steel coil. If you have a product that's difficult to handle, our special products department has a solution.

Cascade clamps come in a variety of standard configurations to choose from to meet your specific load requirements. Should your application demand it you can further customise with these options:

- Special frame widths and opening ranges
- Hi or Lo pressure operating system
- Regeneration valve (faster opening speed for low flow electric trucks)
- Independent arm control
- External sideshifting mounting
- Hydraulic valve with clamp function on left or right hand side



Options

All Clamps

Integral Hydraulic Sideshifting
 External Sideshifting Mounting
 Hose and Valve Protection Guard
 Load Backrests

Revolving Clamps

180° Rotation Stop Group

Bale Clamps/Pulp Bale Clamps

Special Arm Lengths
 Wear Strips under Arms
 Wear Strips under Frame
 Independent Arm Control

Fork Clamps/Harbour Clamps

Triangular or Tubular Forks
 Drop Shank Forks
 Slip-On 2-Drum Arms
 Slip-On Container Handling Pads
 Slip-On Rubber Faced Multi-Purpose Pads

For carton clamps, white goods clamps and appliance clamps, see separate brochure.

Cascade Europe • Damsluisweg 56 • PO Box 3009 • 1300 EL, Almere, Netherlands • Tel. : +31 (0)36 54 92 911 • Fax. : +31 (0)36 54 92 964
 Cascade (UK) Ltd. • Unit 4, 12 O'Clock Court • Attercliffe Road • Sheffield S4 7WW, England • Tel +44 (0) 870 850 8756 • Fax +44 (0) 870 850 8757

cascade
EUROPE
 www.cascorp.com

Cascade is a registered trademark of Cascade Corporation.
 © Cascade Corporation 2005. All rights reserved.

Form 6057777 GB 5M PP 9/05