



Minimize down
time with
ultra long life
UHMW bearings



Extremely Durable Bale Clamp Minimizes Down Time, Provides Excellent Visibility

APPLICATIONS

The Cascade Pulp Bale Clamp efficiently handles up to 5000 kg.

MODELS

Articulated Left Arm:

- Articulating left arm self-aligns the arms to the load to evenly distribute clamp force on entire load

Fixed Arms:

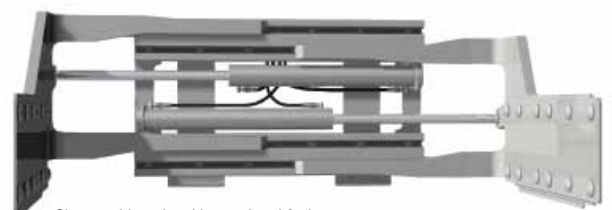
- Thin profile on both arms for pulp handling

FEATURES

- Thin arm profile enables damage-free “knifing” between tightly stacked bales
- Full width lip over UHMW bearings provide maximum strength and bearing support, greatly reducing wear on bearing surface-lowers replacement cost of bearings
- Hydraulic circuit provides the following:
 - Overclamping protection
 - Sideshift pressure relief
 - Backhand pressure relief
- Arm bar corner casting designed to prevent interference with the load.
- Smooth rib bar arm facing reduces potential for bale damage
- Dual hardened wear bars protects frame from wear when dragged on the ground

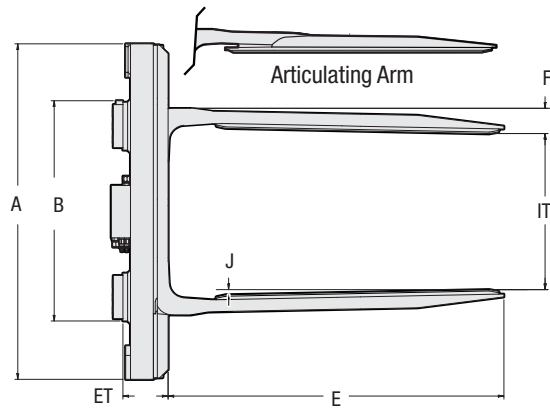
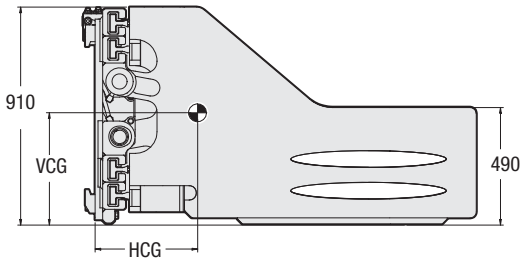
OPTIONS

- Optional arm facing available for special applications:
 - Button head facing is an option which minimizes the potential for damaging the wire wrapped around the unitized load.
 - Higher friction re-bar arm facing
- A variety of arm sizes, configurations and opening ranges available
- Frame easily adapts to different mountings.
- Full width wear bar under frame
- Frame bumper to protect cylinders
- Left hand or right hand hydraulic clamp connection. Right hand is standard.



Shown with optional button head facing.

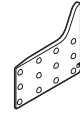
120G PULP BALE CLAMP



Arm Facing Options



Re-bar Rib



Button Head

Sideshifting

Model	Capacity @ Load Centre kg@mm	Overall Width A	Opening Range (mm) ITI	Arm Length E	Arm Thickness F	Arm Toe-in J	Min. Truck Carriage Width B	Weight kg	Horizontal Ctr. of Gravity HCG	Vertical Ctr. of Gravity VCG	Effective Thickness ET	Mounting Class ISO-2328
Fixed Arms												
120G-PBS-C011	4000@800	1350	610-2175	1200	95	15	1000	1176	302	304	189	4A
120G-PBS-C012	4000@800	1350	590-2155	1400	105	25	1000	1285	367	297	189	4A
120G-PBS-C013	4000@800	1350	570-2135	1600	115	35	1000	1370	427	292	189	4A
120G-PBS-C031	4000@800	1400	710-2375	1200	95	15	1000	1206	297	305	189	4A
120G-PBS-C032	4000@800	1400	690-2355	1400	105	25	1000	1315	361	299	189	4A
120G-PBS-C033	4000@800	1400	670-2335	1600	115	35	1000	1399	421	293	189	4A
120G-PBS-C041	4000@800	1450	625-2380	1200	95	15	1000	1210	296	306	189	4A
120G-PBS-C042	4000@800	1450	605-2360	1400	105	25	1000	1319	360	299	189	4A
120G-PBS-C043	4000@800	1450	585-2340	1600	115	35	1000	1402	420	293	189	4A
120G-PBS-C051	4000@800	1550	710-2575	1200	95	15	1000	1253	289	307	189	4A
120G-PBS-C052	4000@800	1550	690-2555	1400	105	25	1000	1363	352	301	189	4A
120G-PBS-C053	4000@800	1550	670-2535	1600	115	35	1000	1447	410	295	189	4A
120G-PBS-C061	4000@800	1600	625-2530	1200	95	15	1000	1256	289	307	189	4A
120G-PBS-C062	4000@800	1600	605-2510	1400	105	25	1000	1366	351	301	189	4A
120G-PBS-C063	4000@800	1600	585-2490	1600	115	35	1000	1450	409	295	189	4A
120G-PBS-C071	4000@800	1650	725-2780	1200	95	15	1000	1287	285	309	189	4A
120G-PBS-C072	4000@800	1650	705-2760	1400	105	25	1000	1396	346	302	189	4A
120G-PBS-C073	4000@800	1650	685-2740	1600	115	35	1000	1480	403	297	189	4A
Articulating Left Arm												
120G-PBS-C111	4000@800	1350	590-2155	1200	105	15	1000	1209	298	301	189	4A
120G-PBS-C112	4000@800	1350	580-2145	1400	110	25	1000	1307	352	295	189	4A
120G-PBS-C113	4000@800	1350	570-2135	1600	115	35	1000	1369	409	288	189	4A
120G-PBS-C131	4000@800	1400	690-2355	1200	105	15	1000	1238	294	302	189	4A
120G-PBS-C132	4000@800	1400	680-2345	1400	110	25	1000	1326	349	296	189	4A
120G-PBS-C133	4000@800	1400	670-2335	1600	115	35	1000	1399	402	289	189	4A
120G-PBS-C141	4000@800	1450	605-2360	1200	105	15	1000	1243	293	302	189	4A
120G-PBS-C142	4000@800	1450	595-2350	1400	110	25	1000	1330	348	296	189	4A
120G-PBS-C143	4000@800	1450	585-2340	1600	115	35	1000	1403	401	289	189	4A
120G-PBS-C151	4000@800	1550	690-2555	1200	105	15	1000	1284	287	304	189	4A
120G-PBS-C152	4000@800	1550	680-2545	1400	110	25	1000	1374	340	298	189	4A
120G-PBS-C153	4000@800	1550	670-2535	1600	115	35	1000	1447	392	291	189	4A
120G-PBS-C161	4000@800	1600	605-2510	1200	105	15	1000	1287	286	304	189	4A
120G-PBS-C162	4000@800	1600	595-2500	1400	110	25	1000	1377	339	298	189	4A
120G-PBS-C163	4000@800	1600	585-2490	1600	115	35	1000	1450	391	292	189	4A
120G-PBS-C171	4000@800	1650	705-2760	1200	105	15	1000	1320	282	305	189	4A
120G-PBS-C172	4000@800	1650	695-2750	1400	110	25	1000	1408	334	300	189	4A
120G-PBS-C173	4000@800	1650	685-2740	1600	115	35	1000	1481	386	293	189	4A

► See Notes for 140G

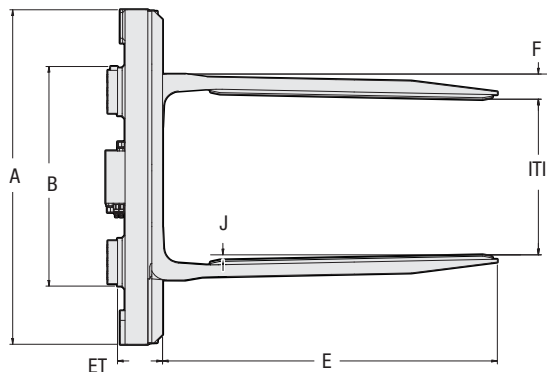
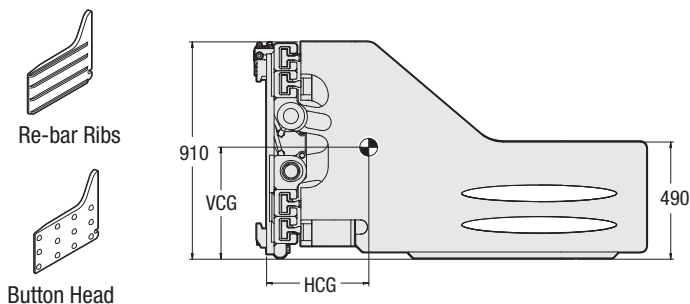
HYDRAULIC FLOW & PRESSURE

Min. Flow	Recommended Flow	Max. Flow	Max. Pressure
38 LPM	57 LPM	90 LPM	190 Bar

HYDRAULIC FUNCTIONS

Hydraulic Functions	Truck Aux. Valves Required
2	2
* For optional Non-Sideshifting models	
1	1

Arm Facing Options



Sideshifting

Model	Capacity @ Load Centre kg@mm	Overall Width A	Opening Range (mm) ITI	Arm Length E	Arm Thickness F	Arm Toe-in J	Min. Truck Carriage Width B	Weight kg	Horizontal Ctr. of Gravity HCG	Vertical Ctr. of Gravity VCG	Effective Thickness ET	Mounting Class ISO-2328
Fixed Arms												
140G-PBS-C011	5000@800	1550	610-2375	1200	95	20	1100	1273	289	308	194	4A
140G-PBS-C012	5000@800	1550	590-2355	1400	105	30	1100	1383	351	301	194	4A
140G-PBS-C013	5000@800	1550	560-2325	1600	120	40	1100	1467	408	296	194	4A
140G-PBS-C031	5000@800	1650	710-2575	1200	95	20	1100	1323	282	310	194	4A
140G-PBS-C032	5000@800	1650	690-2555	1400	105	30	1100	1433	343	304	194	4A
140G-PBS-C033	5000@800	1650	660-2525	1600	120	40	1100	1517	399	298	194	4A
140G-PBS-C041	5000@800	1700	610-2575	1200	95	20	1100	1323	282	310	194	4A
140G-PBS-C042	5000@800	1700	590-2555	1400	105	30	1100	1432	342	303	194	4A
140G-PBS-C043	5000@800	1700	560-2525	1600	120	40	1100	1516	398	298	194	4A
140G-PBS-C051	5000@800	1750	710-2775	1200	95	20	1100	1358	277	311	194	4A
140G-PBS-C052	5000@800	1750	690-2755	1400	105	30	1100	1468	337	305	194	4A
140G-PBS-C053	5000@800	1750	660-2725	1600	120	40	1100	1552	393	299	194	4A
140G-PBS-C061	5000@800	1800	610-2705	1200	95	20	1100	1355	277	311	194	4A
140G-PBS-C062	5000@800	1800	590-2685	1400	105	30	1100	1465	337	304	194	4A
140G-PBS-C063	5000@800	1800	560-2655	1600	120	40	1100	1549	392	299	194	4A
140G-PBS-C071	5000@800	1850	710-2955	1200	95	20	1200	1392	273	312	194	4A
140G-PBS-C072	5000@800	1850	690-2935	1400	105	30	1200	1503	331	306	194	4A
140G-PBS-C073	5000@800	1850	660-2905	1600	120	40	1200	1586	386	301	194	4A
140G-PBS-C081	5000@800	2050	710-3155	1200	95	20	1400	1456	265	314	194	4A
140G-PBS-C082	5000@800	2050	690-3135	1400	105	30	1400	1565	322	308	194	4A
140G-PBS-C083	5000@800	2050	660-3105	1600	120	40	1400	1649	375	303	194	4A
140G-PBS-C091	5000@800	2250	725-3370	1200	95	20	1600	1519	258	316	194	4A
140G-PBS-C092	5000@800	2250	705-3350	1400	105	30	1600	1629	313	310	194	4A
140G-PBS-C093	5000@800	2250	675-3320	1600	120	40	1600	1713	364	305	194	4A

- ▶ Standard arm facing is smooth round bar which reduces potential for tearing the bale wrapper.
- ▶ Optional higher friction re-bar arm facing is available upon request.
- ▶ Button head facing is an option which minimizes the potential for damaging the wire wrapped around the unitized load.

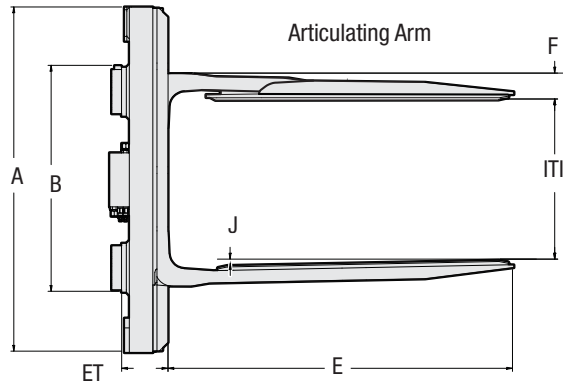
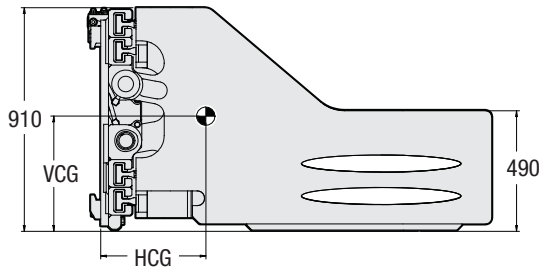
HYDRAULIC FLOW & PRESSURE

Min. Flow	Recommended Flow	Max. Flow	Max. Pressure
38 LPM	57 LPM	90 LPM	190 Bar

HYDRAULIC FUNCTIONS

Hydraulic Functions	Truck Aux. Valves Required
2	2
* For optional Non-Sideshifting models	
1	1

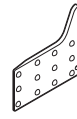
140G PULP BALE CLAMP



Arm Facing Options



Re-bar Ribs



Button Head

Sideshifting

Model	Capacity @ Load Centre kg@mm	Overall Width A	Opening Range (mm) ITI	Arm Length E	Arm Thickness F	Arm Toe-in J	Min. Truck Carriage Width B	Weight kg	Horizontal Ctr. of Gravity HCG	Vertical Ctr. of Gravity VCG	Effective Thickness ET	Mounting Class ISO-2328
Articulating Left Arm												
140G-PBS-C111	5000@800	1550	590-2355	1200	105	20	1100	1316	286	305	194	4A
140G-PBS-C112	5000@800	1550	580-2345	1400	110	30	1100	1402	338	298	194	4A
140G-PBS-C113	5000@800	1550	560-2325	1600	120	40	1100	1472	390	292	194	4A
140G-PBS-C131	5000@800	1650	690-2555	1200	105	20	1100	1365	280	307	194	4A
140G-PBS-C132	5000@800	1650	680-2545	1400	110	30	1100	1453	331	300	194	4A
140G-PBS-C133	5000@800	1650	660-2525	1600	120	40	1100	1523	381	294	194	4A
140G-PBS-C141	5000@800	1700	590-2555	1200	105	20	1100	1366	279	307	194	4A
140G-PBS-C142	5000@800	1700	580-2545	1400	110	30	1100	1453	330	300	194	4A
140G-PBS-C143	5000@800	1700	560-2525	1600	120	40	1100	1508	383	294	194	4A
140G-PBS-C151	5000@800	1750	690-2755	1200	105	20	1100	1402	275	308	194	4A
140G-PBS-C152	5000@800	1750	680-2745	1400	110	30	1100	1490	325	302	194	4A
140G-PBS-C153	5000@800	1750	660-2725	1600	120	40	1100	1560	375	296	194	4A
140G-PBS-C161	5000@800	1800	605-2700	1200	105	20	1100	1399	275	308	194	4A
140G-PBS-C162	5000@800	1800	595-2690	1400	110	30	1100	1487	325	302	194	4A
140G-PBS-C163	5000@800	1800	575-2670	1600	120	40	1100	1557	375	296	194	4A
140G-PBS-C171	5000@800	1850	705-2950	1200	105	20	1200	1438	271	309	194	4A
140G-PBS-C172	5000@800	1850	695-2940	1400	110	30	1200	1525	320	303	194	4A
140G-PBS-C173	5000@800	1850	675-2920	1600	120	40	1200	1595	369	297	194	4A
140G-PBS-C181	5000@800	2050	715-3150	1200	105	20	1400	1503	263	311	194	4A
140G-PBS-C182	5000@800	2050	695-3140	1400	110	30	1400	1547	317	303	194	4A
140G-PBS-C183	5000@800	2050	675-3120	1600	120	40	1400	1617	364	298	194	4A
140G-PBS-C191	5000@800	2250	705-3350	1200	105	20	1600	1568	256	313	194	4A
140G-PBS-C192	5000@800	2250	695-3340	1400	110	30	1600	1655	302	307	194	4A
140G-PBS-C193	5000@800	2250	675-3320	1600	120	40	1600	1725	348	301	194	4A

- ▶ Standard arm facing is smooth round bar which reduces potential for tearing the bale wrapper.
- ▶ Optional higher friction re-bar arm facing is available upon request.
- ▶ Button head facing is an option which minimizes the potential for damaging the wire wrapped around the unitized load.

HYDRAULIC FLOW & PRESSURE

Min. Flow	Recommended Flow	Max. Flow	Max. Pressure
38 LPM	57 LPM	90 LPM	190 Bar

HYDRAULIC FUNCTIONS

Hydraulic Functions	Truck Aux. Valves Required
2	2
* For optional Non-Sideshifting models	
1	1