



*Can clamp loads  
between the  
forks or work  
with a variety of  
slip-on arms.*

## Provides the Fork Handling versatility you need.

### APPLICATIONS

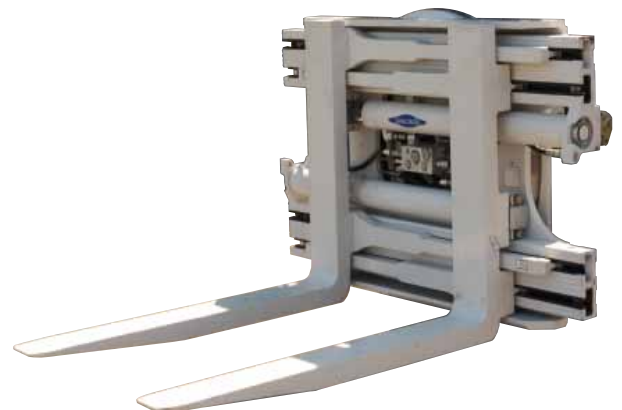
The Cascade G-Series Fork Clamp is ideal for handling a wide variety of loads. Awkward loads such as crates, bales, and tyres can be clamped between the forks. The fork clamp also functions as a fork positioner, allowing the truck operator to quickly reposition the forks to fit varying pallet or container configurations. Forks can be opened wider than the frame width—something a normal fork positioner cannot do—which makes handling wide loads easier and safer.

### FEATURES

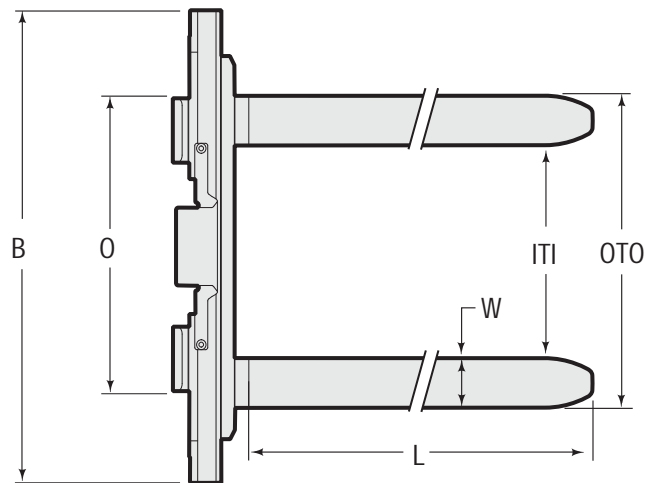
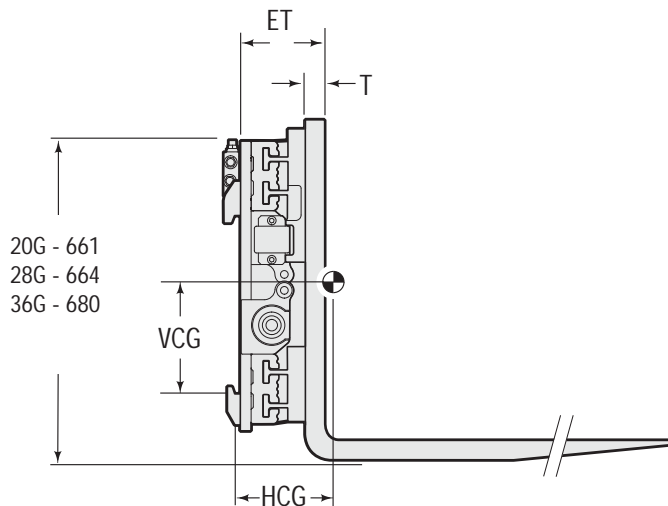
- Designed to fit both old and new generation fork lift trucks.
- Profiled arms provide maximum visibility through and around the frame without sacrificing strength.
- Steel frame sections, extruded alloy steel arm bars, cast arm bases guarantee outstanding durability and reliability.
- Built in hydraulic flow dividers and bi-directional relief valve guarantee fast and uniform arm movement.
- All hydraulic functions are pressure protected. Available for both High and Low pressure truck systems.
- Bolt-on pallet fork arms and lower frame wear strips.

### OPTIONS

- Triangular or Tubular Forks
- Drop Shank Forks
- Slip-On 2-Drum Arms
- Slip-On Container Handling Pads
- Slip-On Rubber Faced Multi-Purpose Pads

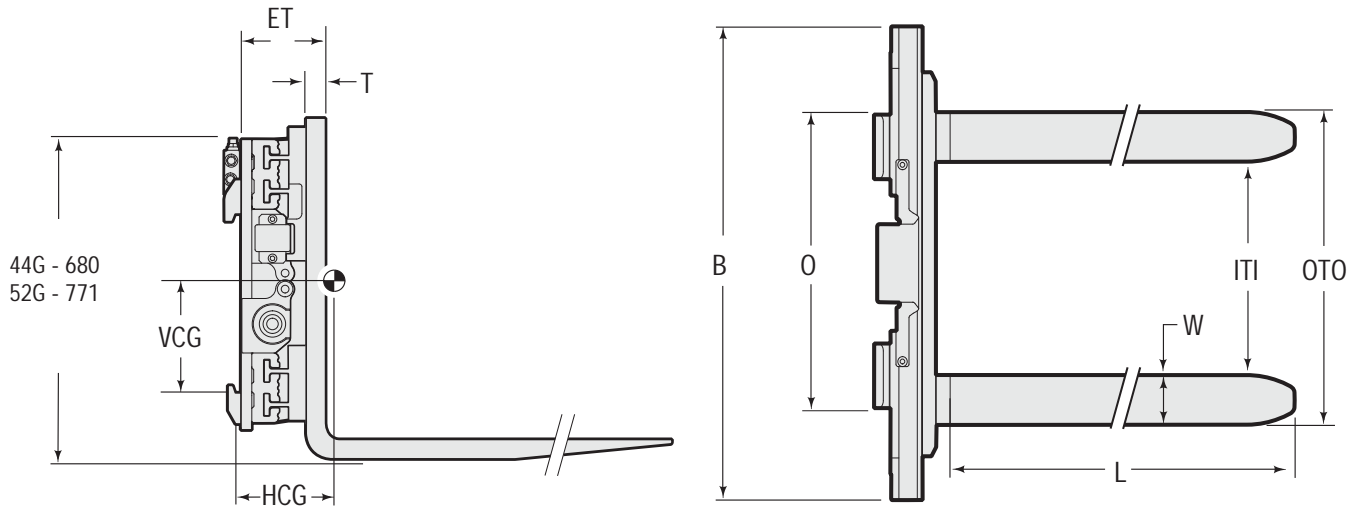


# G-SERIES FORK CLAMP



Catalogue Order No.	Capacity @ Load Centre on forks	Capacity @ Load Centre as clamp	Frame width (mm)	Opening Range (mm)	Opening range over the forks (mm)	Fork Size (mm)	Minimum Truck Carriage Width (mm)	Effective thickness (mm)	Horizontal Centre of Gravity (mm)	Vertical Centre of Gravity (mm)	Weight (kg)	Mounting Class
	kg @mm	kg@mm	B	ITI	OTO	LxWxT	O	ET	HCG	VCG		
20G-CFS-A113 ①②	1400@500	1000@500	850	135-945	335-1145	1200x100x35	835	233	198	154	233	2A
20G-CFS-A123 ①②	1400@500	1000@500	850	340-1350	540-1550	1200x100x35	835	233	240	194	233	2A
20G-CFS-A213 ①	1400@500	1000@500	950	245-1255	445-1455	1200x100x35	835	233	246	191	233	2A
20G-CFS-A223	1400@500	1000@500	950	440-1650	640-1850	1200x100x35	835	233	253	188	233	2A
20G-CFS-A323 ①	1400@500	1000@500	1050	340-1550	540-1750	1200x100x35	835	233	259	184	233	2A
20G-CFS-A333	1400@500	1000@500	1150	540-1920	740-2120	1200x100x35	835	233	275	177	233	2A
20G-CFS-A513 ①	1400@500	1000@500	1150	240-1450	440-1650	1200x100x35	835	233	265	181	233	2A
20G-CFS-A533 ①	1400@500	1000@500	1150	475-1925	675-2125	1200x100x35	835	233	274	178	233	2A
28G-CFS-A123 ①②	1900@500	1400@500	850	340-1360	540-1560	1200x100x40	835	175	200	182	284	2A
28G-CFS-A133	1900@500	1400@500	850	460-1430	660-1630	1200x100x40	835	175	220	173	315	2A
28G-CFS-A223 ①	1900@500	1400@500	950	360-1500	560-1700	1200x100x40	835	175	194	185	297	2A
28G-CFS-A313 ①	1900@500	1400@500	1050	260-1400	460-1600	1200x100x40	835	175	191	186	303	2A
28G-CFS-A323 ①	1900@500	1400@500	1050	340-1560	540-1760	1200x100x40	835	175	190	187	306	2A
28G-CFS-A333	1900@500	1400@500	1050	460-1800	660-2000	1200x100x40	835	175	188	188	313	2A
28G-CFS-A523 ①	1900@500	1400@500	1150	360-1700	560-1900	1200x100x40	835	175	220	173	315	2A
28G-CFS-A533	1900@500	1400@500	1150	560-2100	760-2300	1200x100x40	835	175	182	191	328	2A
28G-CFS-A713 ①	1900@500	1400@500	1250	260-1600	460-1800	1200x100x40	835	175	203	181	350	2A
36G-CFS-A113 ①②	2200@500	1800@500	850	190-1110	440-1360	1200x125x40	835	189	219	181	330	2A
36G-CFS-A213	2200@500	1800@500	950	210-1250	460-1500	1200x125x40	835	189	213	184	345	2A
36G-CFS-A223 ①	2200@500	1800@500	950	310-1450	560-1700	1200x125x40	835	189	211	185	350	2A
36G-CFS-A233	2200@500	1800@500	950	400-1625	650-1875	1200x125x40	835	189	210	186	353	2A
36G-CFS-A323 ①	2200@500	1800@500	1050	310-1550	560-1800	1200x125x40	835	189	206	188	363	2A
36G-CFS-A333	2200@500	1800@500	1050	440-1710	690-1960	1200x125x40	835	189	204	189	368	2A
36G-CFS-A513 ①	2200@500	1800@500	1150	210-1450	460-1700	1200x125x40	835	189	203	189	370	2A
36G-CFS-A533	2200@500	1800@500	1150	410-1850	660-2100	1200x125x40	835	189	199	191	381	2A
36G-CFS-A723 ①	2200@500	1800@500	1250	310-1750	560-2000	1200x125x40	835	189	197	192	388	2A
36G-CFS-A733	2200@500	1800@500	1250	510-2150	760-2400	1200x125x40	835	189	194	194	399	2A
36G-CFS-A933	2200@500	1800@500	1350	410-2050	660-2300	1200x125x40	835	189	191	195	406	2A
36G-CFS-A943	2200@500	1800@500	1350	610-2450	860-2700	1200x125x40	835	189	189	196	414	2A

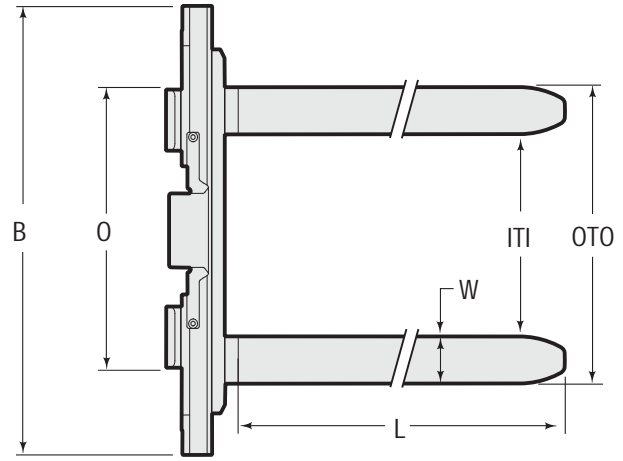
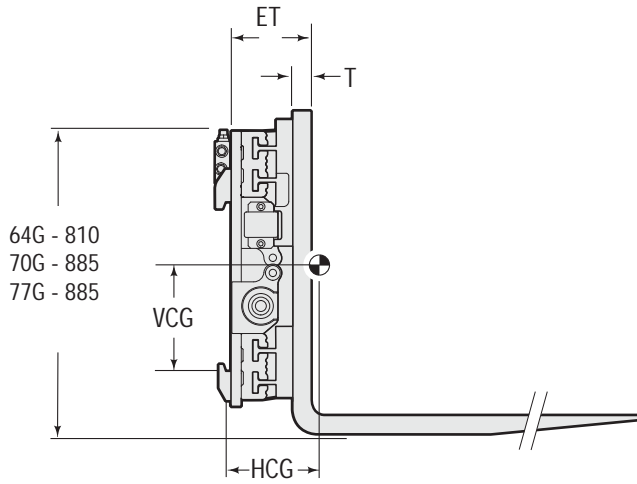
- ① Fork clamps suitable for EURO-pallets.
- ② Fork clamps suitable for reachtrucks. Consult Cascade.
- ▶ Standard open and close on RH, sideshift connection on LH of valve. Cascade can supply open and close on LH and SS on RH side of valve.
- ▶ Lift trucks with auxiliary pressures between 155 and 189 bar maximum require low pressure attachments. Lift trucks with auxiliary pressures between 190 and 250 bar maximum require high pressure attachments.
- ▶ Class B mounting in forks available.



Catalogue Order No.	Capacity @ Load Centre on forks	Capacity @ Load Centre as clamp	Frame width (mm)	Opening Range (mm)	Opening range over the forks (mm)	Fork Size (mm)	Minimum Truck Carriage Width (mm)	Effective thickness (mm)	Horizontal Centre of Gravity (mm)	Weight (kg)	Mounting Class ISO 2328
	kg@mm	kg@mm									
44G-CFS-A113 ①	2600@500	2200@500	850	190-1110	440-1360	1200x125x45	835	192	230	351	2A ②
44G-CFS-A213 ①	2600@500	2200@500	950	210-1250	460-1500	1200x125x45	835	224	366	351	2A ②
44G-CFS-A223 ①	2600@500	2200@500	950	310-1450	560-1700	1200x125x45	835	222	372	351	2A ②
44G-CFS-A233 ①	2600@500	2200@500	950	395-1620	645-1870	1200x125x45	835	227	358	351	2A ②
44G-CFS-A323 ①	2600@500	2200@500	1050	310-1550	560-1800	1200x125x45	835	216	385	351	2A ②
44G-CFS-A333 ①	2600@500	2200@500	1050	440-1710	690-1960	1200x125x45	835	215	390	351	2A ②
44G-CFS-A513 ①	2600@500	2200@500	1150	210-1450	460-1700	1200x125x45	835	213	392	351	2A ②
44G-CFS-A533 ①	2600@500	2200@500	1150	410-1850	660-2100	1200x125x45	835	210	404	351	2A ②
44G-CFS-A723 ①	2600@500	2200@500	1250	310-1750	560-2000	1200x125x45	835	207	411	351	2A ②
44G-CFS-A733 ①	2600@500	2200@500	1250	390-1905	640-2155	1200x125x45	835	206	414	351	2A ②
44G-CFS-A933 ①	2600@500	2200@500	1350	310-1850	560-2100	1200x125x45	835	203	424	351	2A ②
44G-CFS-A943 ①	2600@500	2200@500	1350	610-2100	860-2350	1200x125x45	835	204	420	351	2A ②
52G-CFS-B313 ①	3200@500	2600@500	1050	210-1320	460-1570	1200x125x50	924	216	215	472	3A
52G-CFS-B323 ①	3200@500	2600@500	1050	310-1520	560-1770	1200x125x50	924	213	480	472	3A
52G-CFS-B333 ①	3200@500	2600@500	1050	460-1670	710-1920	1200x125x50	924	214	470	472	3A
52G-CFS-B413 ①	3200@500	2600@500	1100	250-1450	500-1700	1200x125x50	924	212	484	472	3A
52G-CFS-B513 ①	3200@500	2600@500	1150	210-1420	460-1670	1200x125x50	924	210	489	472	3A
52G-CFS-B523 ①	3200@500	2600@500	1150	310-1620	560-1870	1200x125x50	924	208	496	472	3A
52G-CFS-B533 ①	3200@500	2600@500	1150	410-1820	660-2070	1200x125x50	924	207	504	472	3A
52G-CFS-B623 ①	3200@500	2600@500	1200	350-1750	600-2000	1200x125x50	924	206	508	472	3A
52G-CFS-B713 ①	3200@500	2600@500	1250	210-1520	460-1770	1200x125x50	924	205	505	472	3A
52G-CFS-B723 ①	3200@500	2600@500	1250	310-1720	560-1970	1200x125x50	924	204	513	472	3A
52G-CFS-B733 ①	3200@500	2600@500	1250	500-2100	750-2350	1200x125x50	924	201	527	472	3A
52G-CFS-B923 ①	3200@500	2600@500	1350	310-1820	560-2070	1200x125x50	924	200	529	472	3A

- ① Fork clamps suitable for EURO-pallets.
- ② Fork clamps suitable for reachtrucks. Consult Cascade.
- ▶ Standard open and close on RH, sideshift connection on LH of valve. Cascade can supply open and close on LH and SS on RH side of valve.
- ▶ Lift trucks with auxiliary pressures between 155 and 189 bar maximum require low pressure attachments. Lift trucks with auxiliary pressures between 190 and 250 bar maximum require high pressure attachments.
- ▶ Class B mounting in forks available.

# G-SERIES FORK CLAMP



Catalogue Order No.	Capacity @ Load Centre as Forks	Capacity @ Load Centre as Clamp	Frame width (mm)	Opening Range (mm)	Opening range over the forks (mm)	Fork Size (mm)	Minimum Truck Carriage Width (mm)	Effective Thickness (mm)	Horizontal Centre of Gravity (mm)	Vertical Centre of Gravity (mm)	Weight	Mounting Class
	kg@mm	kg@mm	B	ITI	OTO	LxWxT	O	ET	HCG	VCG	kg	ISO 2328
64G-CFS-B512	3600@500	3200@500	1150	250-1450	500-1700	1000x125x50	810	221	162	179	547	3A
64G-CFS-B513	3000@600	2700@600	1150	250-1450	500-1700	1200x125x50	810	221	193	268	567	3A
64G-CFS-B523	3000@600	2700@600	1150	320-1590	570-1840	1200x125x50	810	221	192	268	574	3A
64G-CFS-B533	3000@600	2700@600	1150	450-1850	700-2100	1200x125x50	810	221	190	270	587	3A
64G-CFS-B723	3000@600	2700@600	1250	350-1750	600-2000	1200x125x50	810	221	188	271	596	3A
64G-CFS-B913	3000@600	2700@600	1350	250-1650	500-1900	1200x125x50	810	221	186	272	605	3A
64G-CFS-B933	3000@600	2700@600	1350	450-2050	700-2300	1200x125x50	810	221	183	274	625	3A
64G-CFS-BA23	3000@600	2700@600	1450	350-1950	600-2200	1200x125x50	810	221	181	274	634	3A
64G-CFS-BA33	3000@600	2700@600	1450	550-2200	800-2450	1200x125x50	810	221	179	276	650	3A
70G-CFS-B512	4200@500	3500@500	1150	250-1470	550-1770	1000x150x50	810	234	182	273	601	3A
70G-CFS-B513	3500@600	3000@600	1150	250-1470	550-1770	1200x150x50	810	234	217	261	624	3A
70G-CFS-B523	3500@600	3000@600	1150	320-1590	620-1890	1200x150x50	810	234	216	262	632	3A
70G-CFS-B533	3500@600	3000@600	1150	450-1810	750-2110	1200x150x50	810	234	214	263	644	3A
70G-CFS-B623	3500@600	3000@600	1250	350-1770	650-2070	1200x150x50	810	234	211	265	655	3A
70G-CFS-B913	3500@600	3000@600	1350	250-1670	550-1970	1200x150x50	810	234	209	265	663	3A
70G-CFS-B933	3500@600	3000@600	1350	450-2070	750-2370	1200x150x50	810	234	206	267	685	3A
70G-CFS-BA13	3500@600	3000@600	1450	250-1770	550-2070	1200x150x50	810	234	205	267	684	3A
70G-CFS-BA23	3500@600	3000@600	1450	350-1970	650-2270	1200x150x50	810	234	204	268	694	3A
77G-CFS-B723	4500@600	3500@600	1250	260-1620	560-1920	1200x150x50	910	234	212	264	646	3A
77G-CFS-B733	4500@600	3500@600	1250	420-1920	720-2220	1200x150x50	910	234	210	265	662	3A
77G-CFS-BA23	4500@600	3500@600	1450	260-1800	560-2100	1200x150x50	910	234	205	267	684	3A
77G-CFS-BA33	4500@600	3500@600	1450	420-1970	720-2270	1200x150x50	910	234	203	269	698	3A
77G-CFS-BC13	4500@600	3500@600	1550	170-1650	470-1950	1200x150x50	910	234	203	268	691	3A
77G-CFS-BC23	4500@600	3500@600	1550	260-1920	560-2220	1200x150x50	910	234	202	269	703	3A

① Fork clamps suitable for EURO-pallets

▶ Standard open and close on RH, sideshift connection on LH of valve. Cascade can supply open and close on LH and SS on RH side of valve.

▶ Lift trucks with auxiliary pressures between 155 and 189 bar max. require low pressure attachments. Lift trucks with auxiliary pressure between 190 and 250 bar maximum require high pressure attachments.

## HYDRAULIC FLOW & PRESSURE

Catalogue Order No.	Min. Flow L/min.	Rec. Flow L/min.	Max. Flow L/min.	Max. Pressure (bar)
Sideshifting & Non-Sideshifting Function	19	26	38	250 bar
Rotator Function	19	38	57	160 bar

## HYDRAULIC FUNCTIONS

Model	Hydraulic Functions	Truck Auxiliary Valves Required
Non-Sideshifting Models	1	1
Sideshifting Catalogue Models	2	2
Revolving Catalogue Models	2	2