



*Designed with
great visibility,
and superior
durability.*

Change Oversized Tyres On-Site, Efficiently and Safely

APPLICATIONS

Designed for the mining and earth moving industries and may be used in any application requiring the need to handle earth moving Tyres. The Cascade Tyre Handler allows you to safely handle OTR Tyres weighing up to 15.6 metric tons. The ability to rotate, tip and sideshift the Tyre provides the flexibility needed to align the Tyre to the truck and complete the Tyre change without the lift truck driver leaving the cab of the lift truck.

FEATURES

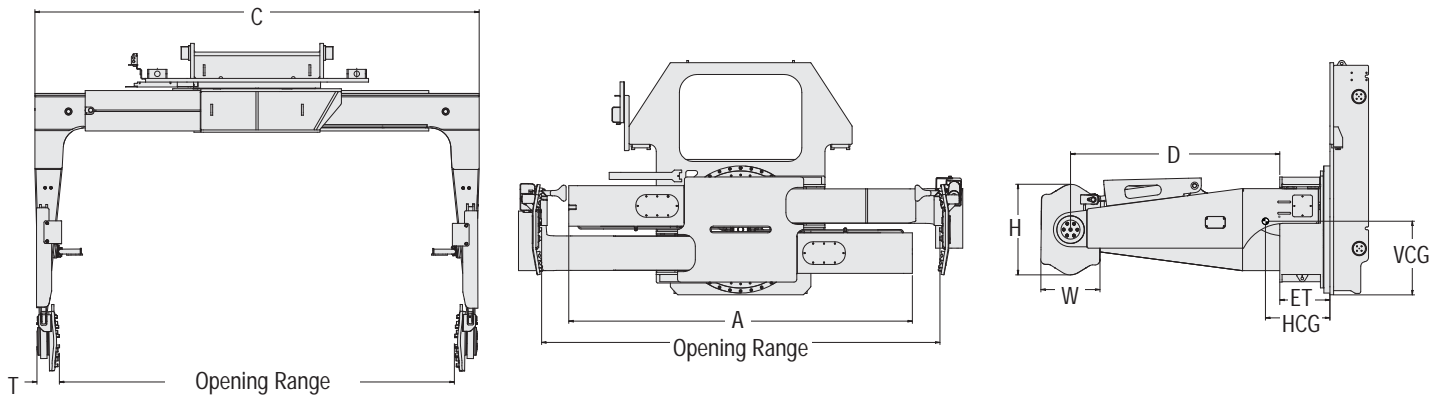
- Superior visibility through and over the frame for aligning the Tyre and rim to the vehicle
- Rugged steel frame and rigid arm design for increased overall durability and capacity
- Heavy duty Cascade rotator to allow for a 360° continuous rotation
- Forward tipping pad design to safely set the Tyre down flat
- Lifting capacities of up to 15.6 metric tons
- Ability to handle Tyres ranging from 1.6m to 4.1m in diameter and up to 1.885m wide
- All hoses are internally located to prevent damage
- The thinnest profile arms in the industry for those hard to access Tyres
- Unitized control valve with individual test points for fast fault diagnosis

OPTIONS

- Smaller capacities available
- Non-Rotating models available for logistics operations
- Multipurpose models available for handling other bulk freight
- Special opening ranges available
- Quick release pad options available for handling steel rims and protection chains
- Mountings for Loaders, Lift Truck Carriages, Telehandlers and Cranes available



TYRE HANDLER



Rotating 360°

Model	60J-DTI-200	60J-DTI-230	80J-DTI-230	80J-DTI-250	100J-DTI-230	100J-DTI-250	150J-DTI-230	150J-DTI-280	156J-DTI-280
Opening (Min)	1450	1450	1450	1450	1450	1450	1450	1450	1450
Opening (Max)	4000	4000	4500	4500	4500	4500	4410	4410	4610
A Frame Width	3140	3140	3500	3500	3500	3500	3790	3790	3590
C Overall Width	4540	4540	4920	5050	4920	5050	4900	4900	5240
D Arm Length	2000	2300	2300	2500	2300	2500	2300	2800	2800
H Pad Height	705	705	800	800	800	800	1000	1000	1000
W Pad Width	705	705	800	800	800	800	650	650	650
T Pad Thickness	280	280	290	290	290	290	265	265	265
Narrow Base	Tire Size (min.)	1800-25	1800-25	1800-25	1800-25	1800-25	1800-25	1800-25	1800-25
	Tire Size (max.)	3700R57	4000R57	4000R57	53/80R63	4000R57	59/80R63	4000R57	59/80R63
	Min. (mm)	1680	1680	1680	1680	1680	1680	1680	1680
	Max. (mm)	3440	3560	3560	3900	3560	4020	3560	4020
Wide base	Tire Size (min.)	26.5R25	26.5R25	26.5R25	26.5R25	26.5R25	26.5R25	26.5R25	26.5R25
	Tire Size (max.)	45/65R45	45/65R45	55/80R57	55/80R57	65/65-57	65/65-57	70/70R57	70/70R57
	Min. (mm)	1800	1800	1800	1800	1800	1800	1800	1800
	Max. (mm)	2730	2730	3600	3600	3850	3850	4100	4100
Capacity (kg)	6000	6000	8000	8000	10000	10000	15000	15000	15600
ET (Lost Load - mm)	460	460	510	510	510	510	590	610	610
HCG (mm)	610	685	780	820	780	820	700	750	760
VCG (mm)	580	580	570	570	570	570	765	765	765
Mass (kg)	3520	3610	5000	5100	5800	5900	7100	7300	7450
Body Rotation	360°	360°	360°	360°	360°	360°	360°	360°	360°
Pad Rotation	360°	360°	360°	360°	360°	360°	90°	90°	90°
Opt Pad Rotation	90°	90°	90°	90°	90°	90°			
Oil Flow (Min lpm)	40	40	40	40	40	40	40	40	40
Oil Flow (Rec lpm)	75	75	75	75	75	75	75	75	75
Oil Flow (Max lpm)	110	110	110	110	110	110	110	110	110
Rec Oil Pressure	160	160	160	160	160	160	160	160	160

Notes:

- ▶ Recommended models for tyre size assume tire & rims weights are combined.
- ▶ Contact Cascade for advice if on vehicle maintenance (OVM) is to be used.
- ▶ The above specifications are estimates. Each configuration may vary depending on the mounting design. Consult Cascade.
- ▶ Consult Cascade for options such as rim pads, chain pads, transport & storage stands.