



The 6,500 lb. Capacity Fork Positioner for Warehousing and Distribution

APPLICATIONS

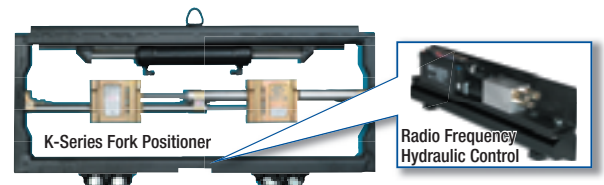
The 65K sideshifting fork positioner is recommended for distribution, warehousing and manufacturing operations. This high visibility fork positioner allows the operator to accurately position the forks from the driver's seat for handling a variety of pallet configurations.

FEATURES

- OEM load backrest compatibility
- Excellent operator visibility
- No-Weld Installation
- Zinc plated, corrosion resistant components
- Center mount, 5 inch wide fork carriers

OPTIONS

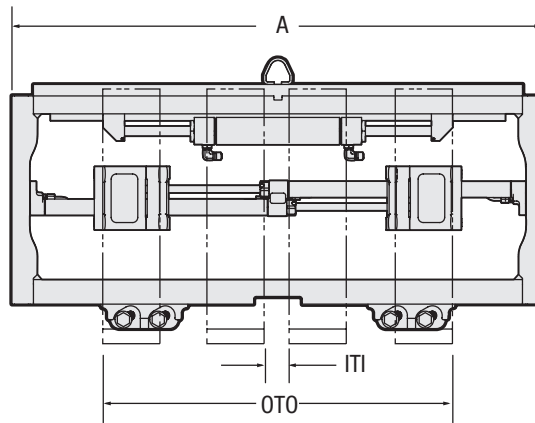
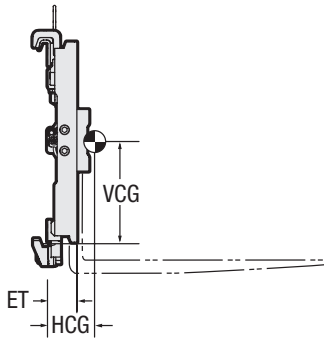
- Bolt-on pallet protector/cylinder guard combinations (see description on right)
- Bronze bearings
- Bronze lower hooks
- Radio Frequency Hydraulic Control (see below)



With Radio Frequency Hydraulic Control on Cascade's K-Series Fork Positioner, you can eliminate hoses or cable reels and increase visibility. Our Radio Frequency Hydraulic Control requires only a single auxiliary valve and no welding.

A refined fork positioner designed to increase productivity, improve safety and reduce product damage.

65K FORK POSITIONER



	Capacity at 24" (600mm) load center		Overall Width A	Opening Range ITI / OTO	Fork Pocket Width	Catalog Order No.	Mounting Class	Min. Truck Carriage Width	Weight		Effective Thickness ET	Horizontal Center of Gravity HCG	Vertical Center of Gravity VCG
	lb	kg							lbs	kg			
Cascade	6,500	3,000	37.0"	2.0" - 32.1"	5"	65K-FPS-B051	III	29.5"	169	77	2.5"	1.2"	9.7"
	6,500	3,000	40.9"	2.0" - 36.0"	5"	65K-FPS-B052	III	36.8"	180	82	2.5"	1.2"	9.9"
	6,500	3,000	49.0"	2.0" - 44.1"	5"	65K-FPS-B053	III	40.7"	202	92	2.5"	1.2"	10.0"
Caterpillar	6,500	3,000	37.8"	2.0" - 32.9"	5"	65K-FPS-B160	III	34.3"	172	78	2.5"	1.2"	9.8"
	6,500	3,000	39.4"	2.0" - 34.4"	5"	65K-FPS-B161	III	34.3"	176	80	2.5"	1.2"	9.8"
Clark	6,500	3,000	37.0"	2.0" - 32.1"	5"	65K-FPS-B051	III	29.5"	196	77	2.5"	1.2"	9.7"
	6,500	3,000	40.9"	2.0" - 36.0"	5"	65K-FPS-B052	III	36.8"	180	82	2.5"	1.2"	9.9"
	6,500	3,000	49.0"	2.0" - 44.1"	5"	65K-FPS-B053	III	40.7"	202	92	2.5"	1.2"	10.0"
Crown	6,500	3,000	38.0"	2.0" - 33.1"	5"	65K-FPS-B061	III	34.3"	172	78	2.5"	1.2"	9.8"
	6,500	3,000	44.0"	2.0" - 39.1"	5"	65K-FPS-B062	III	36.8"	189	86	2.5"	1.2"	9.9"
Hyster	6,500	3,000	38.5"	2.0" - 33.6"	5"	65K-FPS-B003	III	34.3"	174	79	2.5"	1.2"	9.8"
	6,500	3,000	42.0"	2.0" - 37.1"	5"	65K-FPS-B002	III	36.8"	183	83	2.5"	1.2"	9.9"
Komatsu	6,500	3,000	37.0"	2.0" - 32.1"	5"	65K-FPS-B051	III	34.3"	169	77	2.5"	1.2"	9.7"
	6,500	3,000	40.9"	2.0" - 36.0"	5"	65K-FPS-B052	III	36.8"	180	82	2.5"	1.2"	9.9"
Linde	6,500	3,000	38.6"	2.0" - 33.7"	5"	65K-FPS-B015	III	34.3"	174	79	2.5"	1.2"	9.8"
	6,500	3,000	45.3"	2.0" - 40.4"	5"	65K-FPS-B016	III	40.7"	193	87	2.5"	1.2"	10.0"
Mitsubishi	6,500	3,000	37.8"	2.0" - 32.9"	5"	65K-FPS-B160	III	34.3"	172	78	2.5"	1.2"	9.8"
	6,500	3,000	39.4"	2.0" - 34.4"	5"	65K-FPS-B161	III	40.7"	176	80	2.5"	1.2"	9.9"
Nissan	6,500	3,000	36.2"	2.0" - 31.3"	5"	65K-FPS-B077	III	29.5"	167	76	2.5"	1.3"	9.7"
	6,500	3,000	38.6"	2.0" - 33.7"	5"	65K-FPS-B071	III	34.3"	174	79	2.5"	1.2"	9.8"
	6,500	3,000	40.2"	2.0" - 35.2"	5"	65K-FPS-B137	III	34.3"	178	81	2.5"	1.2"	9.8"
	6,500	3,000	40.2"	2.0" - 35.2"	5"	65K-FPS-B138	III	34.3"	178	81	2.5"	1.2"	9.8"
TCM	6,500	3,000	40.9"	2.0" - 36.0"	5"	65K-FPS-B098	III	36.8"	180	82	2.5"	1.2"	9.9"
	6,500	3,000	43.3"	2.0" - 38.4"	5"	65K-FPS-B081	III	36.8"	187	85	2.5"	1.2"	9.9"
Toyota	6,500	3,000	38.2"	2.0" - 33.3"	5"	65K-FPS-B087	III	34.3"	173	79	2.5"	1.2"	9.8"
	6,500	3,000	42.1"	2.0" - 37.2"	5"	65K-FPS-B086	III	36.8"	184	83	2.5"	1.2"	9.9"
	6,500	3,000	46.1"	2.0" - 41.1"	5"	65K-FPS-B089	III	40.7"	194	88	2.5"	1.2"	10.0"
Tusk	6,500	3,000	37.0"	2.0" - 32.1"	5"	65K-FPS-B151	III	34.3"	169	77	2.5"	1.2"	9.7"
	6,500	3,000	40.9"	2.0" - 36.0"	5"	65K-FPS-B152	III	36.8"	180	82	2.5"	1.2"	9.9"
Yale	6,500	3,000	38.5"	2.0" - 33.6"	5"	65K-FPS-B003	III	34.3"	174	79	2.5"	1.2"	9.8"
	6,500	3,000	42.0"	2.0" - 37.1"	5"	65K-FPS-B002	III	36.8"	183	83	2.5"	1.2"	9.9"

- ▶ Forks are not included with attachment
- ▶ Fork pockets not adjustable
- ▶ 8" total sideshift - Consult Cascade for non-sideshift option

- ▶ 60" fork maximum length. For longer forks, contact Cascade
- ▶ Drilled and tapped to accept current OEM truck model load backrest

INSTALLATION KIT

	Catalog Order No.
K-Series Single Function	6067030
K-Series Dual Function	6053309

HYDRAULIC FLOW & PRESSURE

Maximum Pressure	Number of Functions	Min-Rec-Max Function 1	Min-Rec-Max Function 2
3,500 psi / 241 bar	2	1 - 2 - 3	1 - 2 - 3

HYDRAULIC FUNCTIONS

Hydraulic Functions	Truck Aux. Valves Required
2	2

Cascade Corporation • PO Box 20187 • Portland, OR 97294-0187 • USA • 800 CASCADE (227.2233) • Tel 503.669.6257 • Fax 800.693.3768 • Fax 503.669.6367
 Cascade Canada Ltd. • 5570 Timberlea Blvd. • Mississauga, Ontario L4W 4M6 • Canada • 800.380.2272 • Tel 905.629.7777 • Fax 905.629.7785