



## For Efficient and Economical Bale Handling

*Efficiently handle  
nearly any type  
of baled product.*

### APPLICATIONS

Cascade Bale clamps can efficiently and economically handle nearly any type of baled product including cotton, flax, wool, synthetic textile fibres, hay, rags and recycled clothing.

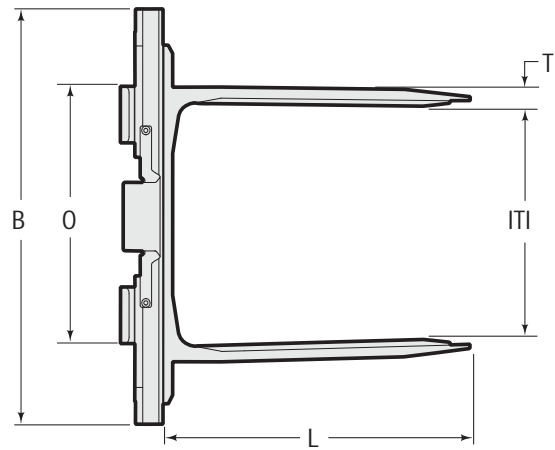
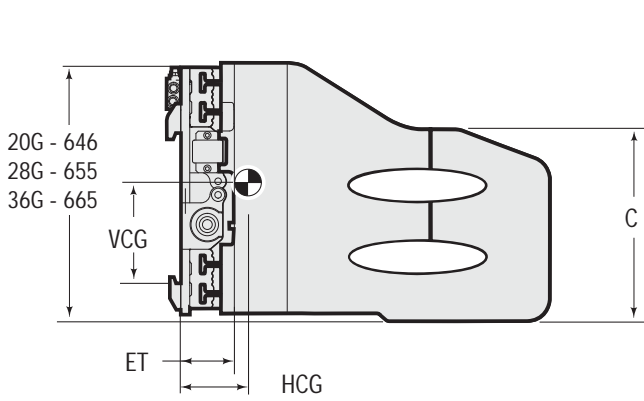
### FEATURES

- Proven alloy steel frame ensuring long clamp life.
- Full length one-piece replaceable UHMW bearings.
- Hydraulic valve with cartridge check valves secures the load.
- All clamp/sideshift hydraulic functions fully protected with bidirectional relief valves.
- Valve is service friendly and includes pressure test gauge ports.
- Built-in hydraulic flow divider (as standard) guarantees equal arm movement (no need for restrictors fitting adjustment)
- Excellent driver visibility over and through the frame.

### OPTIONS

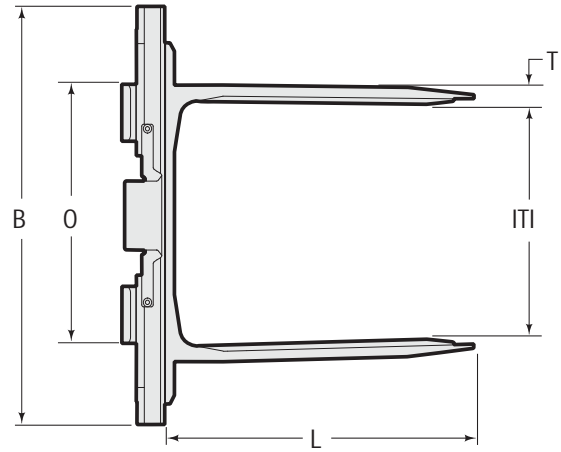
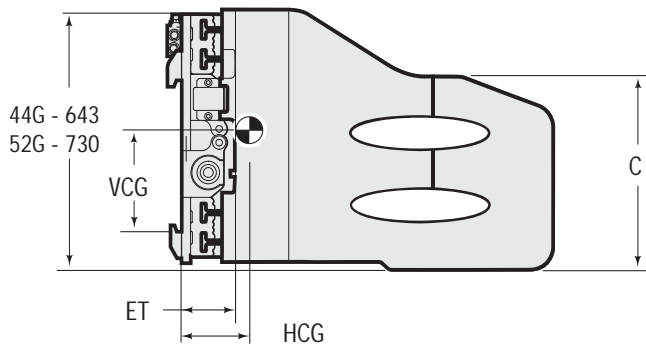
- Special frame widths and opening ranges.
- High (190 bar) and Low pressure (155 bar) hydraulics systems.
- Basic, sideshifting and revolving (360°) models.
- Other Fork Sections and Lengths
- Independent arm control.
- Regeneration valve (faster opening speed for low flow electric trucks). For electric trucks or those with low flow hydraulics (under 20L / minimum)
- External sideshifter mounting (200mm restricted sideshift movement).





Catalogue Order No.	Capacity @ Load Centre	Frame Width (mm) B	Opening Range (mm) ITI	Arm Length (mm) L	Arm Height (mm) C	Arm Thickness (mm) T	Minimum Truck Carriage Width (mm) O	Effective Thickness (mm) ET	Horizontal Centre of Gravity (mm) HCG	Vertical Centre of Gravity (mm) VCG	Weight (kg)	Mounting Class ISO 2328
	kg @ mm											
20G-BCS-A111	1000@500	850	540-1590	700	420	48	835	108	186	200	269	2A
20G-BCS-A112	1000@500	850	540-1590	900	420	59	835	108	243	193	293	2A
20G-BCS-A211	1000@500	950	440-1490	700	420	48	835	108	183	200	275	2A
20G-BCS-A212	1000@500	950	440-1490	900	420	59	835	108	240	194	299	2A
20G-BCS-A221	1000@500	950	565-1795	700	420	48	835	108	182	200	278	2A
20G-BCS-A222	1000@500	950	550-1780	900	420	59	835	108	237	194	303	2A
20G-BCS-A311	1000@500	1050	465-1695	700	420	48	835	108	179	201	284	2A
20G-BCS-A312	1000@500	1050	450-1680	900	420	59	835	108	234	194	309	2A
20G-BCS-A321	1000@500	1050	565-1895	700	420	48	835	108	176	201	289	2A
20G-BCS-A322	1000@500	1050	550-1880	900	420	59	835	108	230	195	313	2A
28G-BCS-A211	1400@500	950	460-1595	700	420	48	835	114	190	228	317	2A
28G-BCS-A213	1400@500	950	440-1575	1000	420	58	835	114	276	218	359	2A
28G-BCS-A221	1400@500	950	540-1705	700	420	48	835	114	189	228	320	2A
28G-BCS-A223	1400@500	950	520-1690	1000	420	59	835	114	275	218	361	2A
28G-BCS-A321	1400@500	1050	565-1900	700	420	48	835	114	184	229	332	2A
28G-BCS-A323	1400@500	1050	545-1885	1000	420	59	835	114	267	219	374	2A
28G-BCS-A511	1400@500	1150	440-1755	700	420	47	835	114	182	229	336	2A
28G-BCS-A513	1400@500	1150	420-1735	1000	420	58	835	114	265	219	378	2A
28G-BCS-A531	1400@500	1150	650-2175	700	420	48	835	114	179	230	347	2A
28G-BCS-A533	1400@500	1150	630-2160	1000	420	60	835	114	260	220	388	2A
28G-BCS-A721	1400@500	1250	550-2075	700	420	48	835	114	177	230	353	2A
28G-BCS-A723	1400@500	1250	530-2055	1000	420	59	835	114	257	220	393	2A
36G-BCS-A213	1800@500	950	440-1580	1000	470	59	835	123	275	231	392	2A
36G-BCS-A214	1800@500	950	415-1555	1200	470	72	835	123	343	224	435	2A
36G-BCS-A223	1800@500	950	530-1755	1000	470	60	835	123	273	231	395	2A
36G-BCS-A224	1800@500	950	500-1730	1200	470	73	835	123	341	224	438	2A
36G-BCS-A313	1800@500	1050	440-1680	1000	470	59	835	123	268	232	404	2A
36G-BCS-A314	1800@500	1050	415-1655	1200	470	72	835	123	336	225	447	2A
36G-BCS-A323	1800@500	1050	570-1915	1000	470	60	835	123	266	232	410	2A
36G-BCS-A324	1800@500	1050	540-1890	1200	470	73	835	123	333	225	452	2A
36G-BCS-A513	1800@500	1150	470-1820	1000	470	59	835	123	262	233	417	2A
36G-BCS-A514	1800@500	1150	445-1790	1200	470	72	835	123	328	226	459	2A
36G-BCS-A523	1800@500	1150	560-2010	1000	470	60	835	123	260	233	422	2A
36G-BCS-A524	1800@500	1150	535-1985	1200	470	73	835	123	326	226	464	2A
36G-BCS-A713	1800@500	1250	445-1885	1000	470	59	835	123	257	233	428	2A
36G-BCS-A714	1800@500	1250	415-1860	1200	470	72	835	123	322	227	471	2A
36G-BCS-A723	1800@500	1250	590-2115	1000	470	60	835	123	254	234	435	2A
36G-BCS-A724	1800@500	1250	565-2090	1200	470	73	835	123	318	227	478	2A
36G-BCS-A733	1800@500	1250	645-2285	1000	470	61	835	123	253	233	438	2A
36G-BCS-A734	1800@500	1250	620-2260	1200	470	74	835	123	317	227	481	2A
36G-BCS-A933	1800@500	1350	750-2490	1000	470	61	835	123	246	235	455	2A
36G-BCS-A934	1800@500	1350	725-2465	1200	470	75	835	123	309	228	497	2A

- ▶ Class B mounting in arms available.
- ▶ Integral Sideshift
- ▶ Frame bumper not included: Supplied with wear strips under frame.
- ▶ Lift trucks with auxilliary pressures between 155 and 189 bar maximum require low pressure attachments. Lift trucks with auxilliary pressures between 190 and 250 bar maximum require high pressure attachments.
- ▶ Standard open and close on RH, sideshift connection on LH of valve. Cascade can supply open and close on LH and SS on RH side of valve.



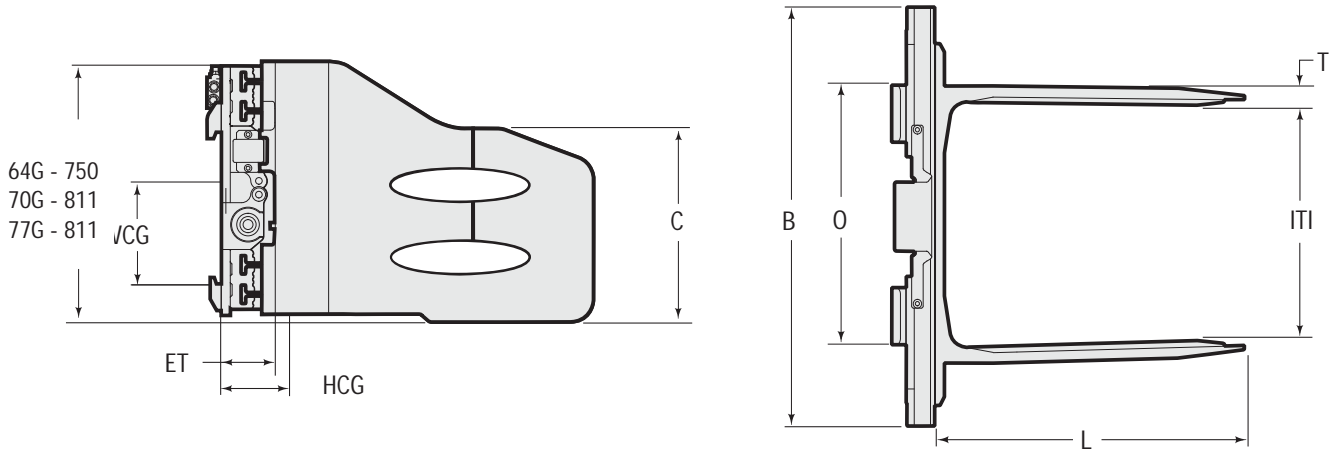
Catalogue Order No.	Capacity @ Load Centre	Frame Width (mm)	Opening Range (mm)	Arm Length (mm)	Arm Height (mm)	Arm Thickness (mm)	Minimum Truck Carriage Width (mm)	Effective Thickness (mm)	Horizontal Centre of Gravity (mm)	Vertical Centre of Gravity (mm)	Weight	Mounting Class
	kg @ mm	B	ITI	L	C	T	O	ET	HCG	-	kg	ISO 2328
44G-BCS-A213	2200@500	950	440-1580	1000	470	61	835	130	281	-	427	2A ①
44G-BCS-A214	2200@500	950	415-1555	1200	470	72	835	130	351	-	475	2A ①
44G-BCS-A223	2200@500	950	535-1775	1000	470	62	835	130	278	-	432	2A ①
44G-BCS-A224	2200@500	950	510-1750	1200	470	74	835	130	348	-	481	2A ①
44G-BCS-A313	2200@500	1050	440-1680	1000	470	61	835	130	275	-	440	2A ①
44G-BCS-A314	2200@500	1050	420-1660	1200	470	72	835	130	351	-	475	2A ①
44G-BCS-A323	2200@500	1050	565-1930	1000	470	62	835	130	272	-	445	2A ①
44G-BCS-A324	2200@500	1050	540-1905	1200	470	73	835	130	340	-	494	2A ①
44G-BCS-A513	2200@500	1150	465-1825	1000	470	61	835	130	269	-	453	2A ①
44G-BCS-A514	2200@500	1150	440-1800	1200	470	73	835	130	336	-	501	2A ①
44G-BCS-A523	2200@500	1150	555-2005	1000	470	62	835	130	267	-	458	2A ①
44G-BCS-A524	2200@500	1150	530-1980	1200	470	74	835	130	333	-	507	2A ①
44G-BCS-A713	2200@500	1250	440-1880	1000	470	61	835	130	263	-	465	2A ①
44G-BCS-A714	2200@500	1250	415-1855	1200	470	72	835	130	330	-	513	2A ①
44G-BCS-A723	2200@500	1250	590-2180	1000	470	63	835	130	260	-	473	2A ①
44G-BCS-A724	2200@500	1250	565-2155	1200	470	75	835	130	326	-	522	2A ①
44G-BCS-A733	2200@500	1250	645-2295	1000	470	63	835	130	259	-	476	2A ①
44G-BCS-A734	2200@500	1250	620-2270	1200	470	76	835	130	324	-	525	2A ①
44G-BCS-A933	2200@500	1350	745-2595	1000	470	65	835	130	252	-	494	2A ①
44G-BCS-A934	2200@500	1350	720-2570	1200	470	78	835	130	316	-	543	2A ①
52G-BCS-B313	2600@500	1050	440-1655	1000	500	61	924	146	270	273	539	3A
52G-BCS-B314	2600@500	1050	420-1635	1200	500	71	924	146	336	263	596	3A
52G-BCS-B323	2600@500	1050	580-1940	1000	500	63	924	146	267	273	549	3A
52G-BCS-B324	2600@500	1050	560-1920	1200	500	72	924	146	332	264	606	3A
52G-BCS-B523	2600@500	1150	550-1980	1000	500	62	924	146	262	277	562	3A
52G-BCS-B524	2600@500	1150	530-1960	1200	500	72	924	146	327	265	619	3A
52G-BCS-B713	2600@500	1250	460-1900	1000	500	62	924	146	259	274	571	3A
52G-BCS-B714	2600@500	1250	440-1880	1200	500	71	924	146	323	265	628	3A
52G-BCS-B733	2600@500	1250	660-2300	1000	500	64	924	146	255	275	585	3A
52G-BCS-B734	2600@500	1250	640-2280	1200	500	74	924	146	318	266	641	3A
52G-BCS-B823	2600@500	1300	560-2150	1000	500	62	924	146	254	275	586	3A
52G-BCS-B824	2600@500	1300	535-2120	1200	500	72	924	146	317	266	642	3A
52G-BCS-B033	2600@500	1400	660-2455	1000	500	63	924	146	248	276	609	3A
52G-BCS-B034	2600@500	1400	640-2435	1200	500	73	924	146	309	267	665	3A

① Mounting Class 3A available - Consult Cascade for specifications.

- ▶ Class B mounting in arms available.
- ▶ Integral Sideshift
- ▶ Frame bumper not included: Supplied with wear strips under frame.

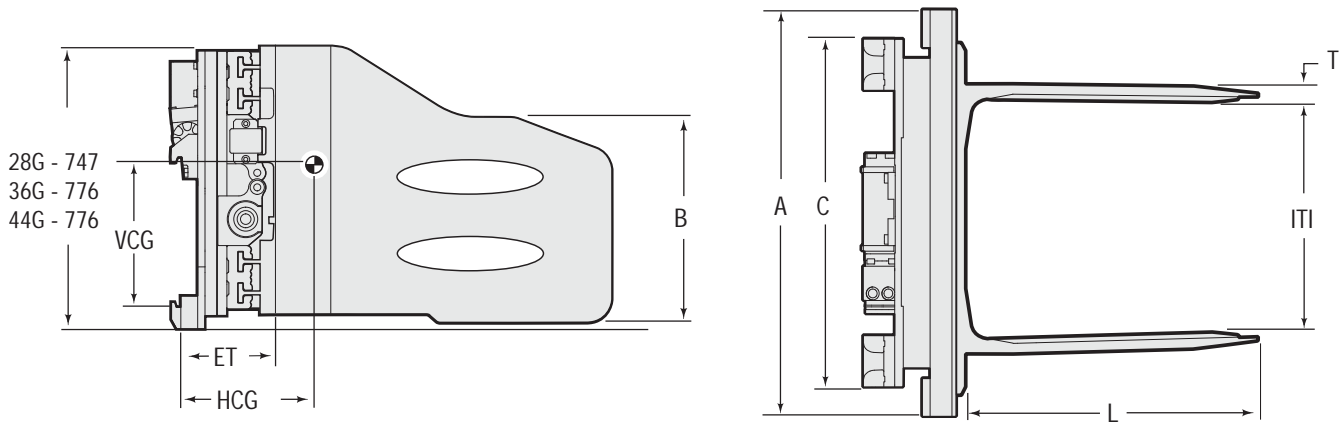
- ▶ Lift trucks with auxiliary pressures between 155 and 189 bar maximum require low pressure attachments. Lift trucks with auxiliary pressures between 190 and 250 bar maximum require high pressure attachments.
- ▶ Standard open and close on RH, sideshift connection on LH of valve. Cascade can supply open and close on LH and SS on RH side of valve.

# G-SERIES SIDESHIFTING



Catalogue Order No.	Capacity @ Load Centre	Frame Width (mm) B	Opening Range (mm) ITI	Arm Length (mm) L	Arm Height (mm) C	Arm Thickness (mm) T	Minimum Truck Carriage Width (mm) O	Effective Thickness (mm) ET	Horizontal Centre of Gravity (mm) HCG	Vertical Centre of Gravity (mm)	Weight (kg)	Mounting Class ISO 2328
	kg @ mm											
64G-BCS-B523	3200@500	1150	560-1950	1000	529	66	810	154	252	302	665	3A
64G-BCS-B524	2700@600	1150	540-1930	1200	529	75	810	154	314	293	724	3A
64G-BCS-B713	3200@500	1250	460-1850	1000	529	66	810	154	250	303	673	3A
64G-BCS-B714	2700@600	1250	440-1830	1200	529	75	810	154	310	294	732	3A
64G-BCS-B913	3200@500	1350	480-1990	1000	529	66	810	154	245	303	693	3A
64G-BCS-B914	2700@600	1350	460-1970	1200	529	75	810	154	304	295	752	3A
64G-BCS-B923	3200@500	1350	560-2150	1000	529	66	810	154	243	304	703	3A
64G-BCS-B924	2700@600	1350	540-2130	1200	529	75	810	154	302	295	762	3A
64G-BCS-BA13	3200@500	1450	460-2050	1000	529	66	810	154	240	304	710	3A
64G-BCS-BA14	2700@600	1450	440-2030	1200	529	75	810	154	299	295	770	3A
64G-BCS-BA33	3200@500	1450	660-2400	1000	529	66	810	154	237	305	729	3A
64G-BCS-BA34	2700@600	1450	640-2380	1200	529	75	810	154	295	296	788	3A
70G-BCS-B523	3500@500	1150	560-1950	1000	529	66	810	163	252	303	723	3A
70G-BCS-B524	3000@600	1150	540-1930	1200	529	75	810	163	314	294	786	3A
70G-BCS-B713	3500@500	1250	460-1850	1000	529	66	810	163	250	303	730	3A
70G-BCS-B714	3000@600	1250	440-1830	1200	529	75	810	163	310	294	794	3A
70G-BCS-B913	3500@500	1350	480-1990	1000	529	66	810	163	245	304	751	3A
70G-BCS-B914	3000@600	1350	460-1970	1200	529	75	810	163	304	295	815	3A
70G-BCS-B923	3500@500	1350	560-2150	1000	529	66	810	163	243	304	762	3A
70G-BCS-B924	3000@600	1350	540-2130	1200	529	75	810	163	302	295	826	3A
70G-BCS-BA13	3500@500	1450	460-2050	1000	529	66	810	163	240	304	769	3A
70G-BCS-BA14	3000@600	1450	440-2030	1200	529	75	810	163	299	296	833	3A
70G-BCS-BA33	3500@500	1450	660-2450	1000	529	66	810	163	237	305	790	3A
70G-BCS-BA34	3000@600	1450	640-2430	1200	529	75	810	163	295	296	853	3A
77G-BCS-B524	3500@600	1250	560-1950	1200	529	66	910	163	326	316	807	3A
77G-BCS-B726	3000@700	1250	540-1930	1400	529	75	910	163	385	309	854	3A
77G-BCS-B728	2600@800	1250	460-1850	1600	529	66	910	163	449	302	901	3A
77G-BCS-BA14	3500@600	1450	440-1830	1200	529	75	910	163	318	317	829	3A
77G-BCS-BA16	3000@700	1450	480-1990	1400	529	66	910	163	377	310	876	3A
77G-BCS-BA18	2600@800	1450	460-1970	1600	529	75	910	163	439	303	923	3A
77G-BCS-BG24	3500@600	1750	545-2380	1200	529	66	910	163	299	321	904	3A
77G-BCS-BG26	3000@700	1750	540-2130	1400	529	75	910	163	354	314	952	3A
77G-BCS-BG28	2600@800	1750	460-2050	1600	529	66	910	163	413	308	999	3A

- ▶ Class B mounting in arms available.
- ▶ Integral Sideshift
- ▶ Frame bumper not included: Supplied with wear strips under frame.
- ▶ Lift trucks with auxiliary pressures between 155 and 189 bar maximum require low pressure attachments. Lift trucks with auxiliary pressures between 190 and 250 bar maximum require high pressure attachments.
- ▶ Standard open and close on RH, sideshift connection on LH of valve. Cascade can supply open and close on LH and SS on RH side of valve.



Catalogue Order No.	Capacity @ Load Centre kg @ mm	Frame Width (mm)	Opening Range (mm)	Arm Length (mm)	Arm Height (mm)	Arm Thickness (mm)	Minimum Truck Carriage Width (mm)	Effective Thickness (mm)	Horizontal Centre of Gravity (mm)	Vertical Centre of Gravity (mm)	Weight kg	Mounting Class ISO 2328
		A	ITI	L	B	T	C	ET	HCG	VCG		
28G-BCR-A211	1400@500	950	465-1605	700	420	47	813	200	204	282	461	2A
28G-BCR-A213	1400@500	950	445-1575	1000	420	58	813	200	273	270	504	2A
28G-BCR-A221	1400@500	950	540-1705	700	420	48	813	200	204	282	463	2A
28G-BCR-A223	1400@500	950	520-1690	1000	420	59	813	200	273	270	506	2A
28G-BCR-A323	1400@500	1050	540-1875	1200	420	59	813	200	323	262	552	2A
36G-BCR-A213	1800@500	950	440-1580	1000	470	59	813	230	278	292	595	2A
36G-BCR-A214	1800@500	950	415-1555	1200	470	71	813	230	331	283	636	2A
36G-BCR-A223	1800@500	950	530-1755	1000	470	60	813	230	277	292	598	2A
36G-BCR-A224	1800@500	950	500-1730	1200	470	73	813	230	330	284	639	2A
36G-BCR-A313	1800@500	1050	440-1680	1000	470	59	813	230	275	294	608	2A
36G-BCR-A314	1800@500	1050	415-1655	1200	470	72	813	230	328	285	649	2A
36G-BCR-A323	1800@500	1050	570-1915	1000	470	60	813	230	275	294	613	2A
36G-BCR-A324	1800@500	1050	540-1890	1200	470	73	813	230	327	285	654	2A
36G-BCR-A523	1800@500	1150	560-2010	1000	470	60	813	230	273	294	625	2A
36G-BCR-A524	1800@500	1150	535-1985	1200	470	73	813	230	324	286	666	2A
36G-BCR-A723	1800@500	1250	590-2115	1000	470	60	813	230	270	294	639	2A
36G-BCR-A724	1800@500	1250	565-2090	1200	470	74	813	230	321	286	681	2A
44G-BCR-A213	2200@500	950	440-1580	1000	470	63	813	238	287	291	631	2A ①
44G-BCR-A214	2200@500	950	415-1555	1200	470	74	813	238	343	282	680	2A ①
44G-BCR-A223	2200@500	950	535-1775	1000	470	63	813	238	287	291	635	2A ①
44G-BCR-A224	2200@500	950	510-1750	1200	470	74	813	238	341	296	679	2A ①
44G-BCR-A313	2200@500	1050	440-1680	1000	470	63	813	238	285	293	643	2A ①
44G-BCR-A314	2200@500	1050	420-1660	1200	470	74	813	238	340	283	691	2A ①
44G-BCR-A323	2200@500	1050	565-1930	1000	470	63	813	238	285	293	647	2A ①
44G-BCR-A324	2200@500	1050	540-1905	1200	470	74	813	238	338	297	691	2A ①
44G-BCR-A513	2200@500	1150	465-1825	1000	470	63	813	238	283	293	654	2A ①
44G-BCR-A514	2200@500	1150	440-1800	1200	470	74	813	238	338	284	702	2A ①
44G-BCR-A523	2200@500	1150	555-2005	1000	470	63	813	238	283	293	658	2A ①
44G-BCR-A524	2200@500	1150	530-1980	1200	470	74	813	238	337	284	706	2A ①
44G-BCR-A713	2200@500	1250	440-1880	1000	470	63	813	238	281	293	665	2A ①
44G-BCR-A714	2200@500	1250	415-1855	1200	470	74	813	238	335	284	713	2A ①
44G-BCR-A723	2200@500	1250	590-2180	1000	470	63	813	238	281	293	670	2A ①
44G-BCR-A724	2200@500	1250	565-2155	1200	470	74	813	238	334	284	719	2A ①

① Mounting Class 3A available - Consult Cascade for specifications.

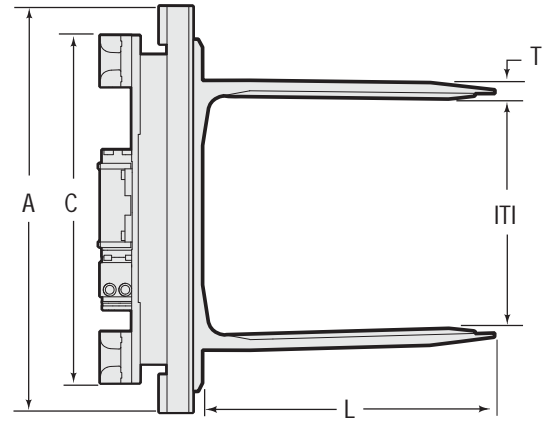
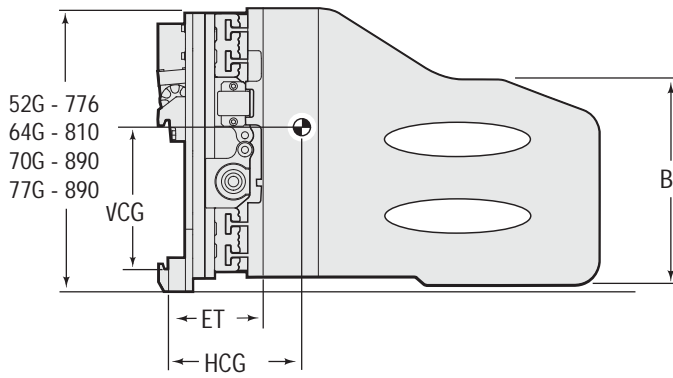
▶ Frame bumper not included.

▶ Lift trucks with auxilliary pressures between 155 and 189 bar maximum require low pressure attachments. Lift trucks with auxilliary pressures between 190 and 250 bar maximum require high pressure attachments.

▶ 0° mounting is standard.

▶ Standard open and close on RH, sideshift connection on LH of valve. Cascade can supply open and close on LH and SS on RH side of valve.

# G-SERIES REVOLVING



Catalogue Order No.	Capacity @ Load Centre kg@mm	Frame Width (mm) A	Opening Range (mm)		Arm Length (mm) L	Arm Height (mm) B	Arm Thickness (mm) T	Minimum Truck Carriage Width (mm) C	Effective Thickness (mm) ET	Horizontal Centre of Gravity (mm) HCG	Vertical Centre of Gravity (mm) VCG	Weight (kg)	Mounting Class ISO 2328
			ITI										
52G-BCR-B313	2600@500	1050	440-1655		1000	500	62	813	279	327	293	713	3A
52G-BCR-B314	2600@500	1050	420-1635		1200	500	72	813	279	384	285	769	3A
52G-BCR-B323	2600@500	1050	580-1940		1000	500	62	813	279	326	294	723	3A
52G-BCR-B324	2600@500	1050	560-1920		1200	500	72	813	279	382	285	780	3A
52G-BCR-B523	2600@500	1150	550-1980		1000	500	62	813	279	324	294	736	3A
52G-BCR-B524	2600@500	1150	530-1960		1200	500	72	813	279	379	286	792	3A
52G-BCR-B713	2600@500	1250	460-1900		1000	500	62	813	279	322	294	745	3A
52G-BCR-B714	2600@500	1250	440-1880		1200	500	72	813	279	377	286	802	3A
52G-BCR-B733	2600@500	1250	660-2300		1000	500	62	813	279	320	295	759	3A
52G-BCR-B734	2600@500	1250	640-2280		1200	500	72	813	279	375	287	815	3A
52G-BCR-B823	2600@500	1300	560-2150		1000	500	62	813	279	320	295	760	3A
52G-BCR-B824	2600@500	1300	535-2120		1200	500	72	813	279	374	287	817	3A
52G-BCR-B933	2600@500	1350	740-2560		1000	500	62	813	279	317	295	782	3A
52G-BCR-B934	2600@500	1350	720-2540		1200	500	72	813	279	370	287	838	3A
64G-BCR-B523	3200@500	1150	560-1950		1000	530	68	795	282	397	325	920	3A
64G-BCR-B524	2700@600	1150	540-1930		1200	530	78	795	282	357	319	979	3A
64G-BCR-B713	3200@500	1250	460-1850		1000	530	68	795	282	304	325	943	3A
64G-BCR-B714	2700@600	1250	440-1830		1200	530	78	795	282	353	320	1002	3A
64G-BCR-B923	3200@500	1350	560-2150		1000	530	68	795	282	299	326	988	3A
64G-BCR-B924	2700@600	1350	540-2130		1200	530	78	795	282	346	321	1048	3A
70G-BCR-B713	3500@500	1250	560-1980		1000	530	75	865	255	271	346	1070	3A
70G-BCR-B714	3000@600	1250	540-1960		1200	530	84	865	255	319	337	1136	3A
70G-BCR-B723	3500@500	1250	460-1850		1000	530	75	865	255	270	346	1064	3A
70G-BCR-B724	3000@600	1250	440-1830		1200	530	84	865	255	318	337	1127	3A
70G-BCR-B923	3500@500	1350	560-2150		1000	530	75	865	255	267	346	1111	3A
70G-BCR-B924	3000@600	1350	540-2150		1200	530	84	865	255	314	338	1176	3A
77G-BCR-B713	3500@600	1250	540-2030		1200	530	83	865	251	416	325	1137	3A
77G-BCR-B714	3000@700	1250	530-2020		1400	530	91	865	251	311	338	1184	3A
77G-BCR-B723	2600@800	1250	510-2000		1600	530	99	865	251	318	337	1231	3A
77G-BCR-B724	3500@600	1450	390-1925		1200	530	83	865	251	365	331	1196	3A
77G-BCR-B923	3000@700	1450	380-1870		1400	530	91	865	251	355	333	1243	3A
77G-BCR-B924	2600@800	1450	360-1850		1600	530	99	865	251	404	327	1290	3A

- ▶ Frame bumper not included.
- ▶ 0° mounting is standard.
- ▶ Wear Strips available.

- ▶ Lift trucks with auxilliary pressures between 155 and 189 bar maximum require low pressure attachments. Lift trucks with auxilliary pressures between 190 and 250 bar maximum require high pressure attachments.

## HYDRAULIC FLOW & PRESSURE (L/Min.)

Catalogue Order No.	Min. Flow	Rec. Flow	Max. Flow	Max. Pressure (bar)
Sideshifting & Non-Sideshifting Function	19	26	38	250 bar
Rotator Function	19	38	57	160 bar

## HYDRAULIC FUNCTIONS

Model	Hydraulic Functions	Truck Auxiliary Valves Required
Non-Sideshifting Models	1	1
Sideshifting Catalogue Models	2	2
Revolving Catalogue Models	2	2

Cascade (UK) Ltd • 3 Kelbrook Road • Parkhouse Industrial Estate • Openshaw • Manchester M11 2DD • England • Tel. (free phone) 0800 243015 • Fax. +44-(0)161 438 4055  
 Cascade European Headquarters • Via Dell'Artigianato 1 • 37050 Vago di Lavagno (VR) • Italy • Tel. +39-045-8989111 • Fax +39-045-8989160

**cascade**  
EUROPE

Cascade is a registered trademark of Cascade Corporation.  
 © Cascade Corporation 2010. All rights reserved.

www.cascorp.com

Form 6056198\_GB 01/10