



A lift truck attachment designed to handle marble, granite and other stone slabs.

A simple way to pull marble and granite slabs from closed-top containers.

APPLICATIONS

A safe and economical method of handling marble, granite and other stone slabs, the Marble Handler is designed to support the load as it is pulled out of a closed-top container. The load can then be picked up with an overhead crane.

FEATURES

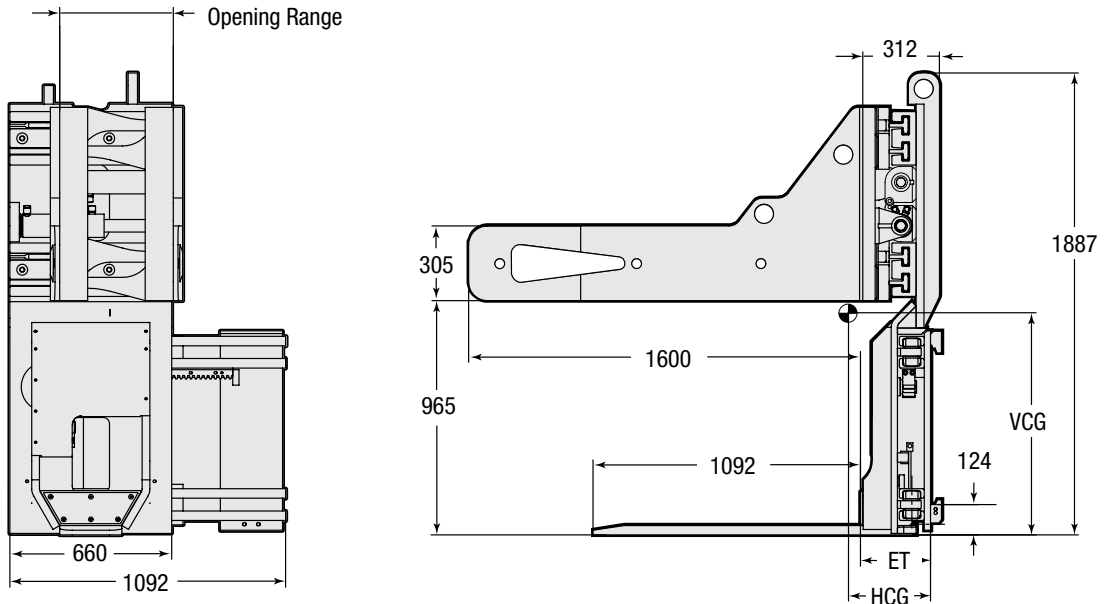
- Traversing carriage
- Thin arm pad profile
- Internal relief valve
- Carriage compatibility

OPTIONS

- Special arm size
- Special arm configuration
- Special opening range

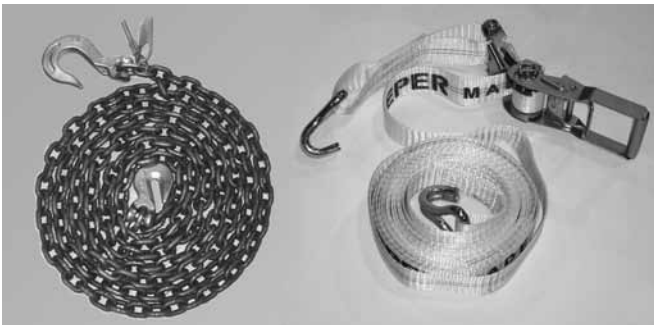


MARBLE HANDLER



Capacity @ (600 mm) Load Centre kg	Opening Range ITI	Catalog Order No.	Mounting Class	Weight kg	Effective Thickness ET	Horizontal Ctr. of Gravity HCG	Vertical Ctr. of Gravity VCG	Minimum Truck Carriage Width 1041
3,180	254-660	70D-MHT-14C	4	1,320	287	335	907	1041

- ▶ Designed for unloading bundles of marble and granite. Arms are for stabilizing only. Bottom foot is for raising the end of the load. This is not a clamping or carrying attachment.
- ▶ A chain or strap is used to secure the load when pulling the bundles from the trailer. Chain or strap not included.
- ▶ Attachment is not designed or approved to carry the load.



- Use a chain with a minimum 9 mm diameter and a minimum 3,175 kgs. vertical lift capacity.
- OR
- Use a strap with a minimum break strength of 4,536 kgs. and a minimum load limit of 1,512 kgs.

- ▶ A video of proper marble handler operation can be viewed at www.cascorp.com/products/marblehandler. To order a video on CD, see the Video Order Form at www.cascorp.com.

HYDRAULIC FUNCTIONS

Hydraulic Functions	Truck Aux. Valves Required
2	2

HYDRAULIC FLOW & PRESSURE

Min. Flow	Recommended Flow	Max. Flow	Max. Pressure
26 LPM	45 LPM	57 LPM	159 bar

MOUNTING CLASS INFORMATION

Mounting Class	Truck Capacity
IV	4,536-7,938 kgs.