



Built for fast, efficient, and productive handling of agricultural and other bins.

A versatile attachment ideal for agriculture and food processing.

APPLICATIONS

Designed to provide the agricultural, food processing, and manufacturing markets an efficient and economical means of handling and dumping bins. Can easily accommodate various bin heights by manually adjusting the top bin stops.

MODELS

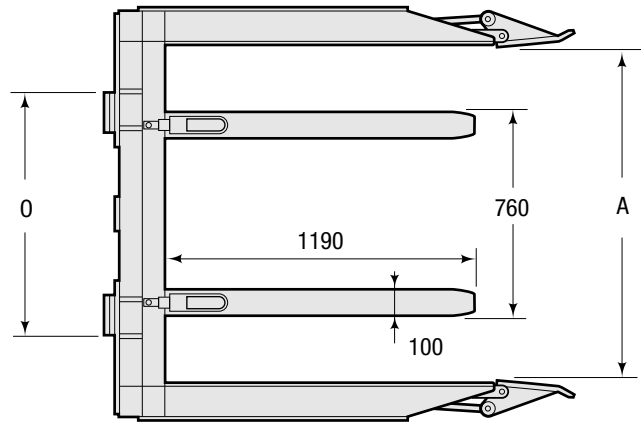
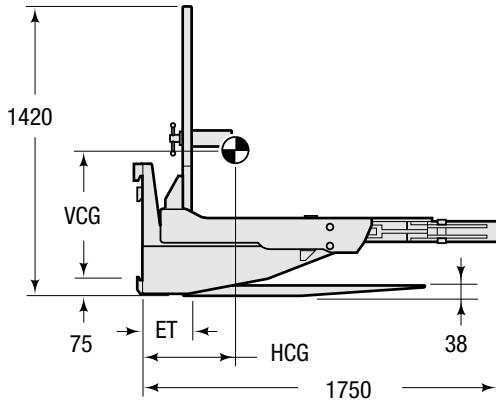
- 1168 mm wide
- 1219 mm wide
- 1524 mm wide
- 1829 mm wide

FEATURES

- Heavy duty construction
- Fast, smooth, forward dumping motion
- Unsurpassed visibility
- Proven Cascade quality
- 130° forward tilt
- Adjustable bin heights
- Simplified hydraulics
- Common Cascade parts available worldwide
- Low effective thickness resulting in increased net truck capacity



FORWARD BIN DUMPER



Catalogue Order No.	Capacity @ Load Centre kg@mm	Opening Range (mm) A	Load Dimensions (mm) D x W	Adjustable bin height (mm)	Minimum Truck Carriage Width (mm) O	Effective thickness (mm) ET	Horizontal Centre of gravity (mm) HCG	Vertical Centre of gravity (mm) VCG	Weight kg	Mounting Class ISO 2328
40D-FBB-46A	1800@600	1225	1170x1170	610-1220	915	240	355	178	631	2
40D-FBB-46B	1800@600	1225	1170x1170	610-1220	915	240	355	178	631	3
40D-FBB-48A	1800@600	1275	1220x1220	610-1220	915	240	355	178	631	2
40D-FBB-48B	1800@600	1275	1220x1220	610-1220	915	240	355	178	631	3
40D-FBB-60A	1800@600	1580	1220x1520	610-1220	1060	240	355	178	672	2
40D-FBB-60B	1800@600	1580	1220x1520	610-1220	1060	240	355	178	672	3
40D-FBB-72A	1800@600	1885	1220x1830	610-1220	1060	240	355	178	713	2
40D-FBB-72B	1800@600	1885	1220x1830	610-1220	1060	240	355	178	713	3

- ▶ Bolt-On mounting is standard on Forward Bin Dumpers. Quick-Disconnect mounting is available at no charge.
- ▶ Larger capacities are available, consult Cascade.
- ▶ Adjustable Bin Height

Options

- Quick-Disconnect mounting
- Class II or Class III mounting
- Custom bin dimensions
- Extended capacities
- Sideshifting

INSTALLATION KIT

Catalog Order No.

659245

HYDRAULIC FLOW AND PRESSURE (L/Min.)

Minimum Flow	Recommended Flow	Maximum Flow	Maximum Pressure bar
20	30	40	160

HYDRAULIC FUNCTIONS

Hydraulic Functions	Truck Auxiliary Valves Required
1	1

MOUNTING CLASS INFORMATION

Mounting Class	Truck Capacity @ Load Centre
II	1000-2500 kg @ 500 mm
III	2501-4999 kg @ 500 mm